



FOR OFFICIAL USE ONLY  
CROWN COPYRIGHT RESERVED

CONDITIONS OF RELEASE

- 1 This information is released by the UK Government for Defence purposes only
- 2 This information must be accorded the same degree of security protection as that accorded thereto by the UK Government.
- 3 This information may be disclosed only within the Defence Department of the recipient Government, except as otherwise authorized by the Ministry of Defence (Army).
- 4 This information may be subject to privately owned rights.

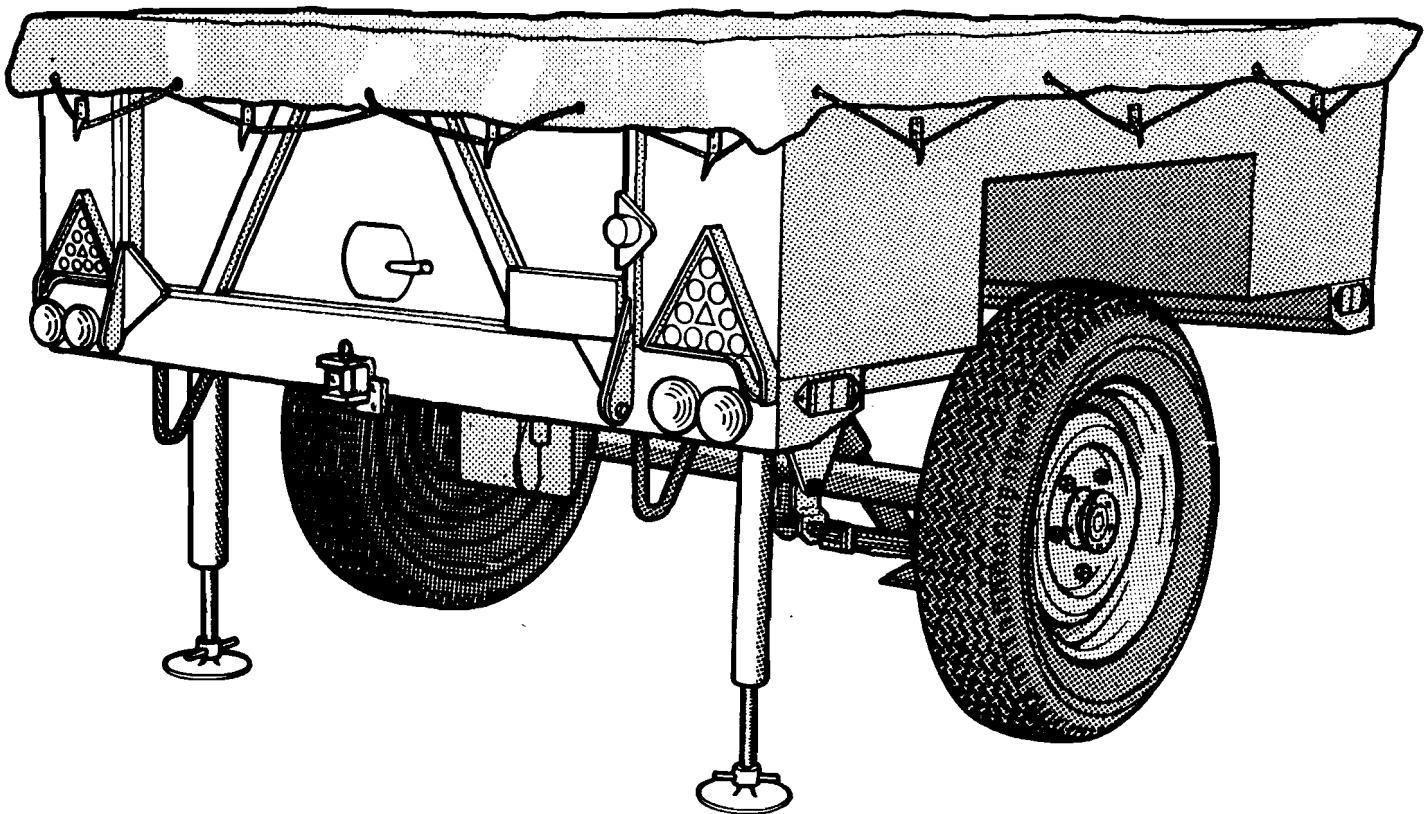
**TRAILER, CARGO, 3/4 TONNE, 2 WHLD,  
(WIDE TRACK), FV2381, SANKEY  
2330-99-893-4847**

**ILLUSTRATED PARTS CATALOGUE**

**BY COMMAND OF THE DEFENCE COUNCIL**

Ministry of Defence  
Issued by  
ASCA CHILWELL  
Chilwell Station, Seston  
Notts. NG9 5HA

3/4 Tonne cargo trailer



L845/2

**AMENDMENT RECORD**

Amdt No.	Incorporated By (Signature)	Date
1		
2		
3		
4		
5		
6		
7		
8		
9		
10		
11		
12		
13		
14		
15		
16		
17		
18		
19		
20		
21		
22		
23		
24		
25		
26		
27		
28		
29		
30		
31		

Amdt No.	Incorporated By (Signature)	Date
32		
33		
34		
35		
36		
37		
38		
39		
40		
41		
42		
43		
44		
45		
46		
47		
48		
49		
50		
51		
52		
53		
54		
55		
56		
57		
58		
59		
60		
61		
62		

## CONTENTS

	Page
Front cover (title page)	(i)/(ii)
Illustration L845/2 (1/2 tone plate)	
Amendment record	(iii)/(iv)
Contents	(v)
Preface	(vi)
Introduction	(vi)
Quantities	(vi)
Demands	(vi)
Modification state	(vi)
Annotations	(vi)
Abbreviations	(vii)/(viii)
Amendments	(vii)/(viii)
Indentations	(vii)/(viii)
Associated publications	(vii)/(viii)
List of Abbreviations	(ix)/(x)
Additional information	(xi)/(xii)
Comment on Army code	Final leaf
	<b>Chapter</b>
Index of main assemblies and list of illustrations used throughout ipc	1
Parts list	2
Trailer, Cargo, 3/4 Tonne, 2 Whld (wide track) MK I	2-1
Trailer, Cargo, 3/4 Tonne, 2 Whld (wide track) MK II	2-2
Index of NATO stock numbers	3
Index of makers part / drawing numbers	4

## PREFACE

Sponsor : GS(LSOR)3

Publication Agency : Army Scaling and Cataloguing Authority

### INTRODUCTION

- 1 Service users should forward any comments on this publication through the channels prescribed. A comments Form is provided at the end of this publication; it should be photocopied and used for forwarding comments on this Army code.
- 2 The subject matter of this publication may be affected by Defence Council Instructions (DCIs), Standing Operating Procedures (SOPs) or by local regulations. When any such Instruction, order or regulation contradicts any portion of this publication it is to be taken as the overriding authority.
- 3 This Illustrated Parts Catalogue (IPC) is designed as an aid to the identification of components parts or assemblies of parts of the equipment, and to provide the information necessary for the demanding of spares.
- 4 This IPC may list some or all of the parts comprising the equipment concerned, but only those parts given a NATO Stock Number or Service Catalogue or Referencing Number will normally be available as spares. Should there be a requirement for an item not assigned a number, demands may be submitted quoting the Army code, Item number, Figure Reference and Item Name. Where a manufacturers number is known this should be quoted.

### Quantities

- 5 The figure in the "Number off" column specifies the quantity required for the unit (or assembly, sub-assembly, etc.) concerned ; it does not indicate the quantity to be demanded.

### Demands

- 6 When demanding Spare Parts the following particulars must be quoted :-
  - 6.1 Management Code (Man Code).
  - 6.2 NATO Stock Number.
  - 6.3 Item Name
  - 6.4 Name of the Equipment for which the part is required.
  - 6.5 Manufacturer's reference, if known.

Note :- Alternatives quoted apply only to the Equipment covered by this IPC.

### Modification State

- 7 When appropriate, a list at the front of each chapter or sub-chapter will indicate the modification numbers which have been incorporated in the IPC by amendment action, subsequent to initial issue.

### Annotations

8. The following notations are used in this publication.
  - 8.1 AR When appearing in the 'Number off' column indicates that the quantity is 'as required'.

**PREFACE- (continued)****Annotations - contd**

- 8.2 NI (Not Illustrated) when appearing with a number in the 'Fig Item' column indicates that the item is not illustrated
- 8.3 NP (Non-provisioned) - when appearing in the 'NATO Stock Number' column indicates that the item may be illustrated, but not available from stock as a replacement item.
- 8.4 Ref In the 'Number off' column indicates that the item is listed for reference purposes only.

**Abbreviations**

- 9 Abbreviations and symbols used in this IPC have been approved and are listed separately.

**Amendments**

- 10 Amendments to the catalogue will be published as and when necessary. These will be numbered consecutively, and the Amendment Record Sheet is to be completed for each Amendment List embodied.
- 11 New or amended material will be highlighted by side lining to show the extent of the amendment.

**Indentations**

- 12 Items are listed in a logical assembly/disassembly order and are indented by the 'dot System' in which each 'dot' depicts the relationship of the item to the main assembly.

**MAIN ASSEMBLY**

Attaching parts for main assembly

- . FIRST LEVEL OF BREAKDOWN (Sub-assembly or detail part of main assembly)
  - . Attaching parts for first level
- . . SECOND LEVEL OF BREAKDOWN (Sub-sub-assembly or detail part of Sub-assembly)
  - . . Attaching parts for second level
- . . . THIRD LEVEL OF BREAKDOWN (Sub-sub-sub-assembly or detail part of Sub-sub-assembly)
  - . . . Attaching parts for third level

**NOTES**

- (1) Attaching parts for the Main Assembly are listed at the end of the text of the Main Assembly.
- (2) Catalogue numbers quoted in this catalogue will supersede any number that may have been allotted previously.

**Associated publications**

- |    |                  |              |
|----|------------------|--------------|
| 13 | <u>Reference</u> | <u>Title</u> |
|    | Nil              |              |

## LIST OF ABBREVIATIONS

A	ampere
ac	alternating current
A/F	across flats
Ah	Ampere hour
ANC	American National Coarse Thread
ANF	American National Fine Thread
ANP	American National Pipe Thread
ANPT	American National Pipe Taper Thread
AR	as required
assy	assembly
BA	British Association Screw Thread
BC	bayonet cap
BSF	British Standard Fine Thread
BSP	British Standard Pipe Thread
BSPP	British Standard Pipe Parallel Thread
BSPT	British Standard Pipe Taper Thread
BSW	British Standard Whitworth Thread
C	Celsius (Centigrade)
cc	cubic centimetre(s)
c to c	centre to centre
ch	cheese
CH	chassis
CI	cast iron
circ	circumference
contd	continued
cres	Corrosion resistant steel
c/s	cycles per second
csk	countersunk
Cts	Contracts
cu	copper
cu in.	cubic inch(s)
c/w	complete with
dc	direct current
deg	degree(s)
dia	diameter
dim	dimensions(s)
dpdt	double pole, double throw
dpst	double pole, single throw
Eng	engine
ext	external
F	Fahrenheit
ft	foot (feet)
gal	gallon
galv	galvanised
gm	gramme
h	high (height)
hd	head
hex	hexagon
HT	high tension
id	internal diameter
in.	inch
int	internal
IPC	Illustrated Parts Catalogue
KPH	Kilometres per hour
lg	long (length)
lh	left hand
LHD	left hand drive
LM	Local manufacture

LIST OF ABBREVIATIONS - contd

m	metre(s)
max	maximum
MCC	miniature centre contact
MES	miniature Edison screw
min	minimum
mm	millimetre(s)
MPH	miles per hour
mtd	mounted
mtg	mounting
mtl	material
neg	negative
NI	not illustrated
No.	number
NP	Non-Provisioned
NPTF	American Standard Taper Pipe Thread
o/a	overall
od	outside diameter
Pl	plated
pos	positive
psi	pounds per square inch
PTFE	polytetrafluoroethylene
PVC	polyvinyl chloride
qty	quantity
RAF	Royal Air Force
Ref	Reference
rev/min	revolution per minute
rd hd	round head
rh	right hand
RHD	right hand drive
SBC	single bayonet cap
SCC	single centre contact
sect	section
SI	Systeme International (thread)
spdt	single pole, double throw
spst	single pole, single throw
sq	square
std	standard
SWL	Safe Working Load
syn	synthetic
temp	temperature
thd	thread
thk	thick(ness)
tpi	threads per inch
UNC	Unified Coarse Thread
UNF	Unified Fine Thread
UNS	Unified Special Thread
u/o	used on
u/w	used with
V	volts
veh	vehicle(s)
W	watt(s)
w	width
w/	with
w/o	without
Whit	Whitworth
Zn	Zinc



ADDITIONAL INFORMATION

THIS PUBLICATION SATISFIES THE FOLLOWING CHASSIS / BODY REFERENCES, BUT DEMANDS FOR REPLACEMENT PARTS SHOULD ONLY BE MADE AGAINST THE CONTRACTS LISTED BELOW :

Serial No.	Contract No.	Service	Nomenclature	NSN	Veh. Code No.	Remarks
1	WV12094	ARMY	TRAILER, CARGO, 3/4 TONNE, 2 WHLD, (WIDE TRACK), FV2381	2330-99-893-4847	2853-0790	
2	FVE21B/82	ARMY	TRAILER, CARGO, 3/4 TONNE, 2 WHLD, (WIDE TRACK), FV2381	2330-99-893-4847	2853-0790	

**CHAPTER 1**

**INDEX OF MAIN ASSEMBLIES  
AND  
LIST OF ILLUSTRATIONS THROUGHOUT IPC**

INDEX OF MAIN ASSEMBLIES  
and  
LIST OF ILLUSTRATIONS THROUGHOUT IPC

Item	Sub/Chap	Fig No.	Page No.
ANTI- ROLL BAR ASSEMBLY	2-1	3	13
AXLE ASSEMBLY	2-1	4	15
BODY ASSEMBLY	2-1	10	33
BRAKE ASSEMBLY	2-1	5	17
CHASSIS ASSEMBLY	2-1	1	3
DAMPER COUPLING ASSEMBLY	2-1	9	27
ELECTRICAL SYSTEM	2-1	12	39
FRONT JACK ASSEMBLY	2-1	1	7
HANDBRAKE AND OVERRUN ASSEMBLY	2-1	8	25
JOCKEY WHEEL ASSEMBLY	2-1		7
REAR JACK ASSEMBLY	2-1	1	5
SUSPENSION	2-1	2	9
ANTI- ROLL BAR ASSEMBLY	2-2	3	13
AXLE ASSEMBLY	2-2	4	15
BODY ASSEMBLY	2-2	10	37
BRAKE ASSEMBLY	2-2	5	17
CHASSIS ASSEMBLY	2-2	1	3
DAMPER COUPLING ASSEMBLY	2-2	9	31
ELECTRICAL SYSTEM	2-2	12	43
FRONT JACK ASSEMBLY	2-2	1	7
HANDBRAKE AND OVERRUN ASSEMBLY	2-2	8	25/26
JOCKEY WHEEL ASSEMBLY	2-2		7
REAR JACK ASSEMBLY	2-2	1	5
SUSPENSION	2-2	2	9

**CHAPTER 2**  
**PARTS LIST**

**CHAPTER 2-1**  
**TRAILER, CARGO, 3/4 TONNE**  
**2 WHLD (WIDE TRACK) MK I**

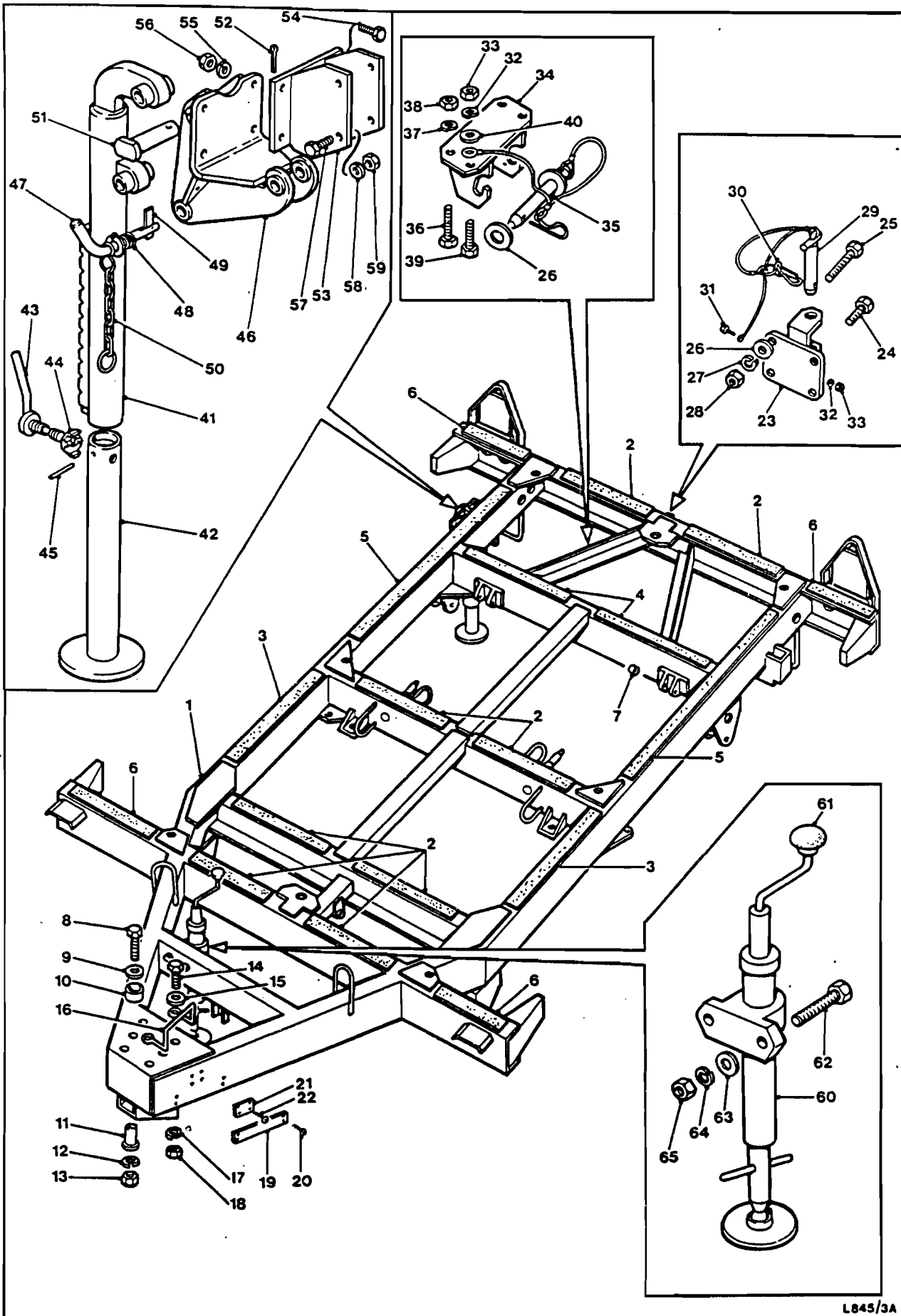


Fig.1 Chassis

FIG ITEM	MAN.CODE NAVY-N ARMY-A RAF-R	NATO STOCK NUMBER	ITEM NAME AND DESCRIPTION	PART No./ DRAWING No.	No. OFF	ANNOTATIONS
1-			TRAILER, CARGO, 3/4 TONNE - 2 whld (wide track)			)Sankey )Ltd
1	A 9AHY	2330-99-831-9820	. CHASSIS, TRAILER, welded assembly	FV861781	1	
NI		NP	. CHASSIS/BODY INTERFACE ASSEMBLY	FV861722	1	
2		NP	.. PACKING STRIP	FV861774	8	
3		NP	.. PACKING STRIP	FV861775	2	
4		NP	.. PACKING STRIP	FV861776	2	
5		NP	.. PACKING STRIP	FV861777	2	
6		NP	.. PACKING STRIP	FV861778	4	
NI	A H1(b)	8040-99-943-0380	. ADHESIVE, bostik 1261		A/R	
7			. BUSH, OIL RETAINING, bronze, 3/8 in. ld x 5/8 in. od x 3/8 in. lg	061006	4	
8	A G1	5306-99-941-0312	. BOLT, MACHINE, UNF, steel, hex hd, Zn coated, 3/8 in. x 1-3/8 in. lg		2	
9	A G1	5310-99-941-7948	. WASHER, FLAT, steel, Cd plated, 3/8 in.		2	
10		NP	. SPACER	FV666681	2	
11		NP	. DOWELL, HOLLOW	FV924099	2	
12	A G1	5310-99-941-6656	. WASHER, LOCK, single coil, 3/8 in.		2	
13	A G1	5310-99-135-6785	. NUT, PLAIN, HEXAGON, UNF, steel, 3/8 in.		2	
14	A G1	5306-99-120-7478	. BOLT, MACHINE, UNF, steel, 7/16 in. x 1-1/2 in. lg		4	
15	A G1	5310-99-941-8636	. WASHER, FLAT, steel, Cd plated, 3/8 in.		4	
16		NP	. HANDLE	FV861867	1	
17	A G1	5310-99-944-0551	. WASHER, LOCK, 7/16 in.		4	
18	A G1	5310-99-136-1517	. NUT, PLAIN, HEXAGON, UNF, steel, Cd plated, 7/16 in.		4	
19		NP	. IDENTIFICATION PLATE	FV130671	1	
20	A G1	5305-99-971-0242	. SCREW, DRIVE, type U, rd hd, no. 4 x 1/4 in. lg		4	
21	A 6MT1	9905-99-901-3287	. PLATE, MODIFICATION RECORD	FV133030	1	
22	A G1	5305-99-941-6134	. SCREW, DRIVE, type U, rd hd, no. 00 x 1/4 in. lg		4	
23		NP	. BRACKET, TOWING	FV666412	1	
24		NP	. BOLT, MACHINE, UNF, steel, hex hd, 1/2 in. x 2-1/2 in. lg		2	
25		NP	. BOLT, MACHINE, UNF, steel, hex hd, 1/2 in. x 4-1/2 in. lg		2	
26	A G1	5310-99-941-8637	. WASHER, FLAT, 1/2 in.		6	
27	A G1	5310-99-941-6658	. WASHER, LOCK, single coil, 1/2 in.		4	
28	A G1	5310-99-941-0928	. NUT, PLAIN, HEXAGON, UNF, steel, 1/2 in.		4	
NI	A 9BTR	2540-99-831-9829	. TOWING PIN ASSEMBLY	FV666414	1	)Items 29 )and 30
29	A 9BTR	2540-99-831-9828	.. TOWING PIN	FV666413	1	

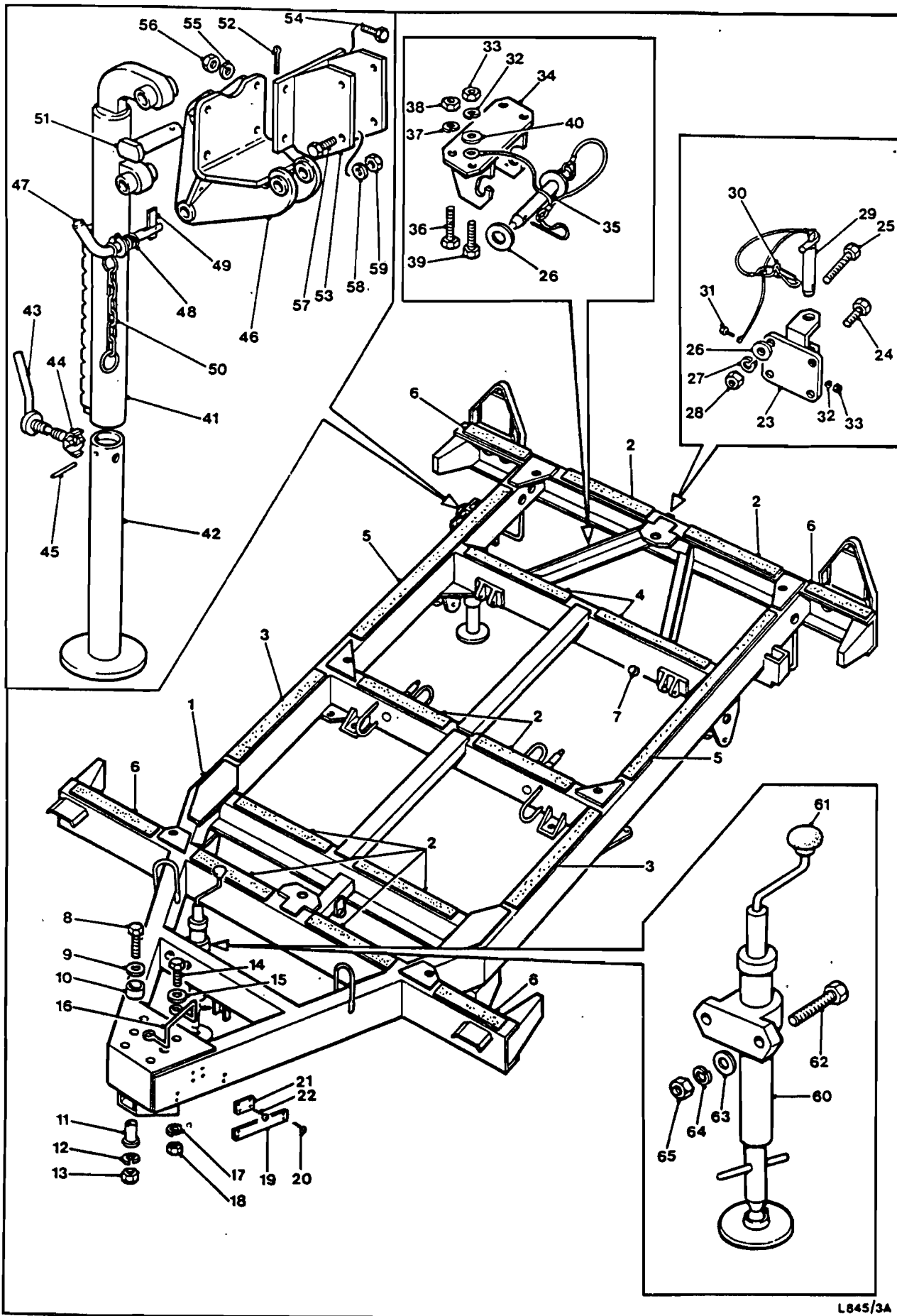


Fig.1 Chassis



FIG ITEM	MAN.CODE NAVY-N ARMY-A RAF-R	NATO STOCK NUMBER	ITEM NAME AND DESCRIPTION	PART No./ DRAWING No.	No. OFF	ANNOTATIONS
1-			TRAILER, CARGO, 3/4 TONNE - contd			
30	A	9BTR 2540-99-831-9830	.. PIN AND RING ASSEMBLY	FV861978	1	
31	A	G1 5305-99-948-0921	.. SCREW, MACHINE, UNF, steel, no. 10 x 3/4 in. lg		1	
32	A	G1 5310-99-941-6653	.. WASHER, LOCK, 3/16 in.		3	
33	A	G1 5310-99-941-2419	.. NUT, PLAIN, HEXAGON, UNF, steel, no. 10		3	
34		NP	.. BRACKET, STOWAGE	FV861702	2	
35	A	9BTR 2590-99-832-1575	.. STOWAGE PIN ASSEMBLY	FV862149	2	
36	A	G1 5305-99-941-0513	.. SCREW, MACHINE, UNF, steel, hex hd, 1/4 in. x 3/4 in. lg		4	
37	A	G1 5310-99-941-6654	.. WASHER, LOCK, 1/4 in.		4	
38	A	G1 5310-99-804-7941	.. NUT, PLAIN, HEXAGON, UNF, steel, 1/4 in.		4	
39	A	G1 5305-99-941-0941	.. SCREW, MACHINE, UNF, steel, no. 10 x 5.8 in. lg		2	
40	A	G1 5310-99-940-3514	.. WASHER, FLAT, 3.16 in.		4	
NI			.. REAR JACK ASSEMBLY	FV924138	2	
NI	A	9BTR 2510-99-815-4768	.. LEG ASSEMBLY, SUPPORT, TRAILER	FV654722	2	
41	A	9BTR 2510-99-815-4769	... LEG, TRAILER SUPPORT, OUTER steel	FV654723	2	
42	A	9BTR 2590-99-849-0503	... TUBE, INNER, SUPPORT STAND	FV11579	2	
43	A	9BTR 2590-99-849-0506	... BOLT CLAMPING SUPPORT STAND	FV11587	2	
44	A	9BTR 5305-99-806-2333	... WASHER, LOCATING, steel, 17/32 in.	FV620986	2	
45	A	G1 5315-99-942-3749	... PIN, GROOVED, HEADLESS, steel, 1-1/4 in. lg		2	
46	A	9BTR 2510-99-925-3392	... BRACKET, LEG SUPPORT	FV607530	2	
47	A	9BTR 5315-99-815-4766	... PIN ASSEMBLY, LOCKING	FV680688	2	
48	A	9BTR 2590-99-849-0504	.... SPRING, PIN	FV11582	2	
49	A	9BTR 2590-99-406-6218	.... LATCH	FV11583	2	
NI	A	G1 5315-99-942-3743	.... PIN, GROOVED, HEADLESS, steel, phosphated, 1/8 in. x 1/2 in. lg		2	
50	A	9BTR 2590-99-837-2679	.... CHAIN, RETAINING, steel, c/w fittings	FV654879	2	
51	A	9BTR 5315-99-815-4767	... PIN, STRAIGHT, HEADED, STEEL, 3/4 in. x 3-3/8 in. lg	FV607541	2	
52	A	G1 5315-99-138-2211	... PIN, COTTER, SPLIT, steel, phosphated, 4 mm x 50 mm lg		2	
53	A	9BTR 2510-99-836-9687	.. BRACKET JACK SUPPORT	FV924139	2	
54	A	G1 5305-99-941-0527	.. SCREW, MACHINE, UNF, steel, hex hd, Zn coated, 5/16 in. x 1 in. lg		8	
55	A	G1 5310-99-941-6655	.. WASHER, LOCK, steel, single coll, sq sect., 5/16 in.		8	
56	A	G1 5310-99-941-0925	.. NUT, PLAIN, HEXAGON, UNF, steel, Zn coated, 5.16 in.		8	
57	A	G1 5305-99-941-0568	.. SCREW, MACHINE, UNF, steel, hex hd, Zn coated, 1/2 in. x 1-1/4 in. lg		8	

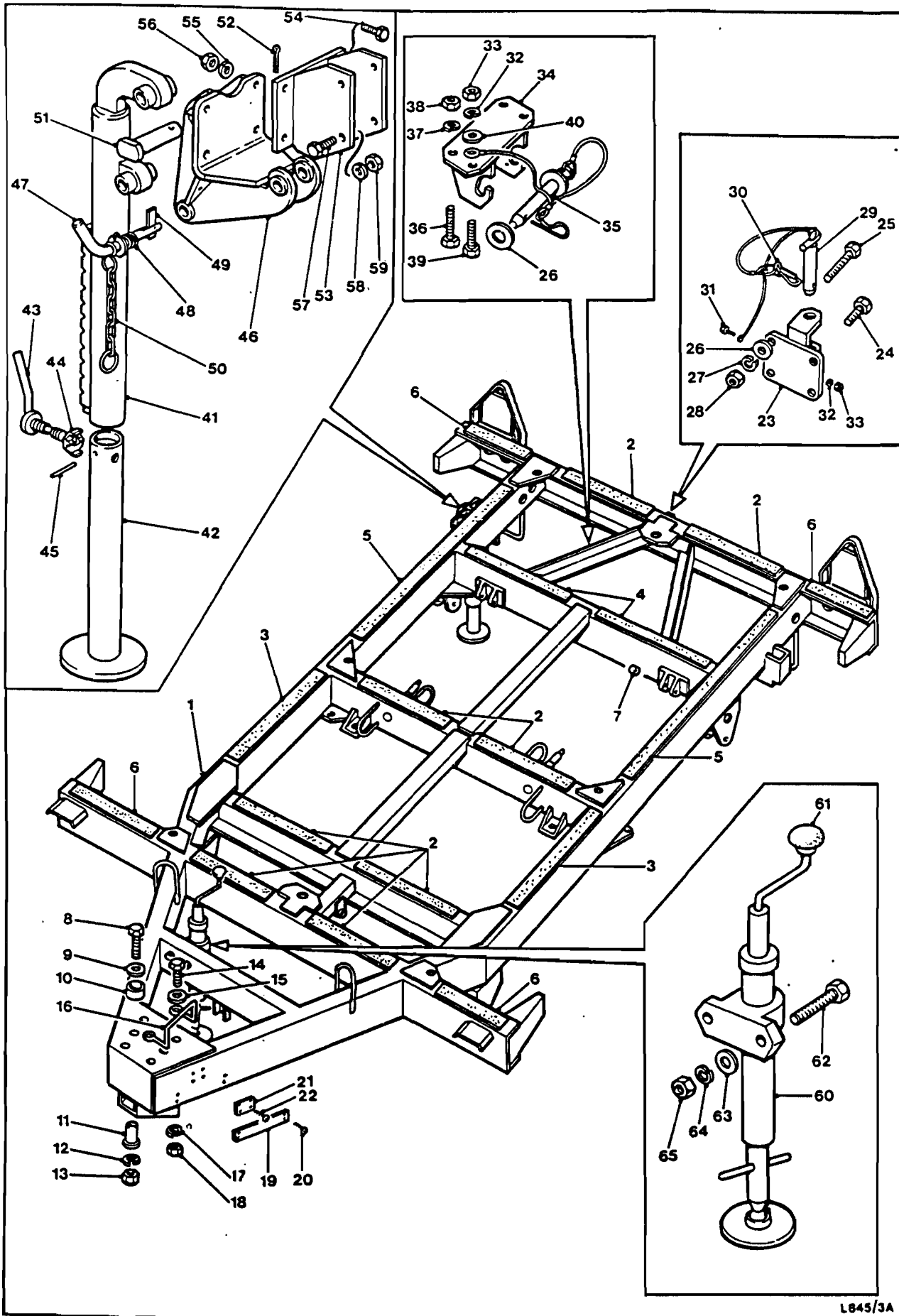
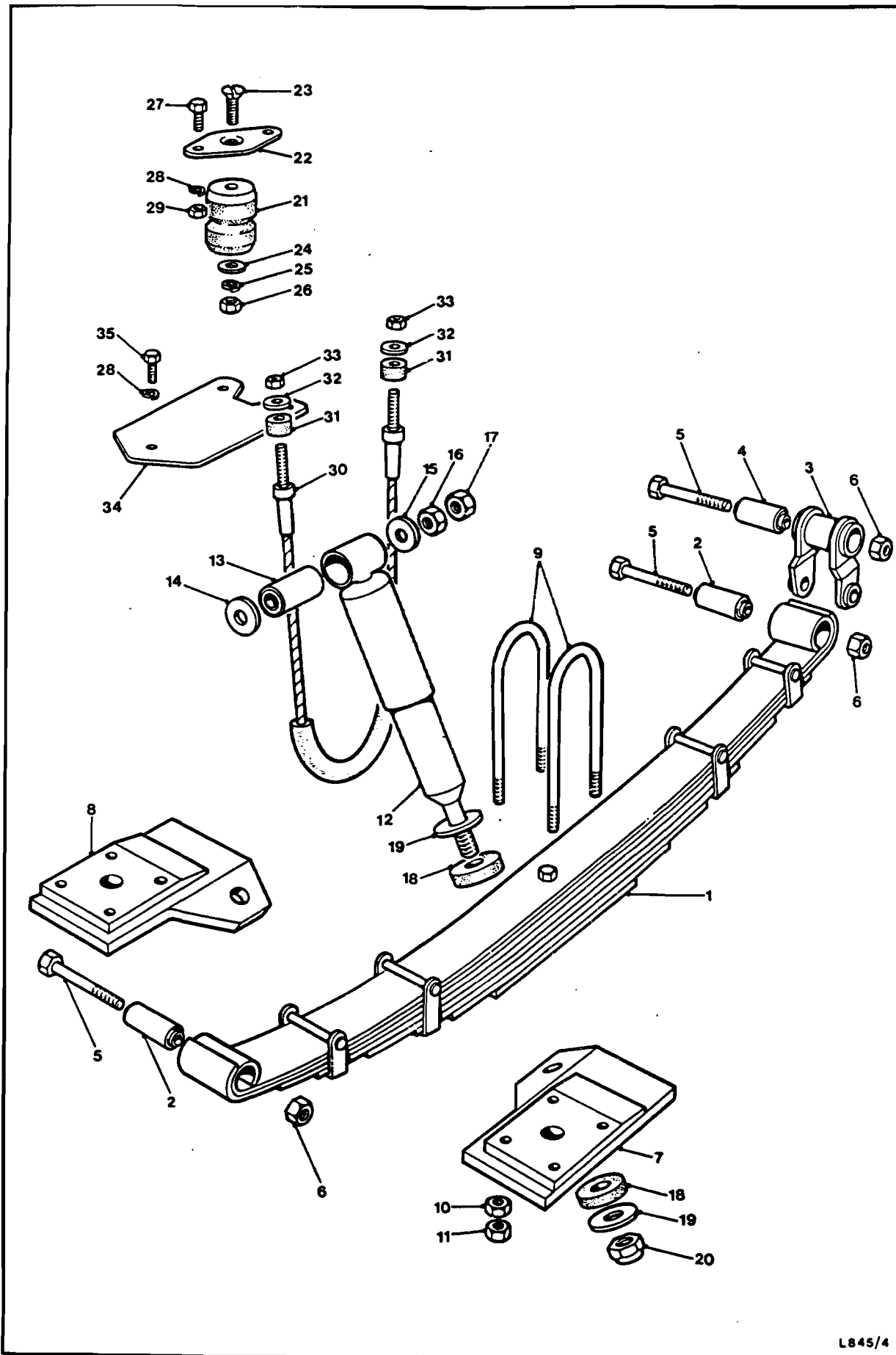


Fig.1 Chassis

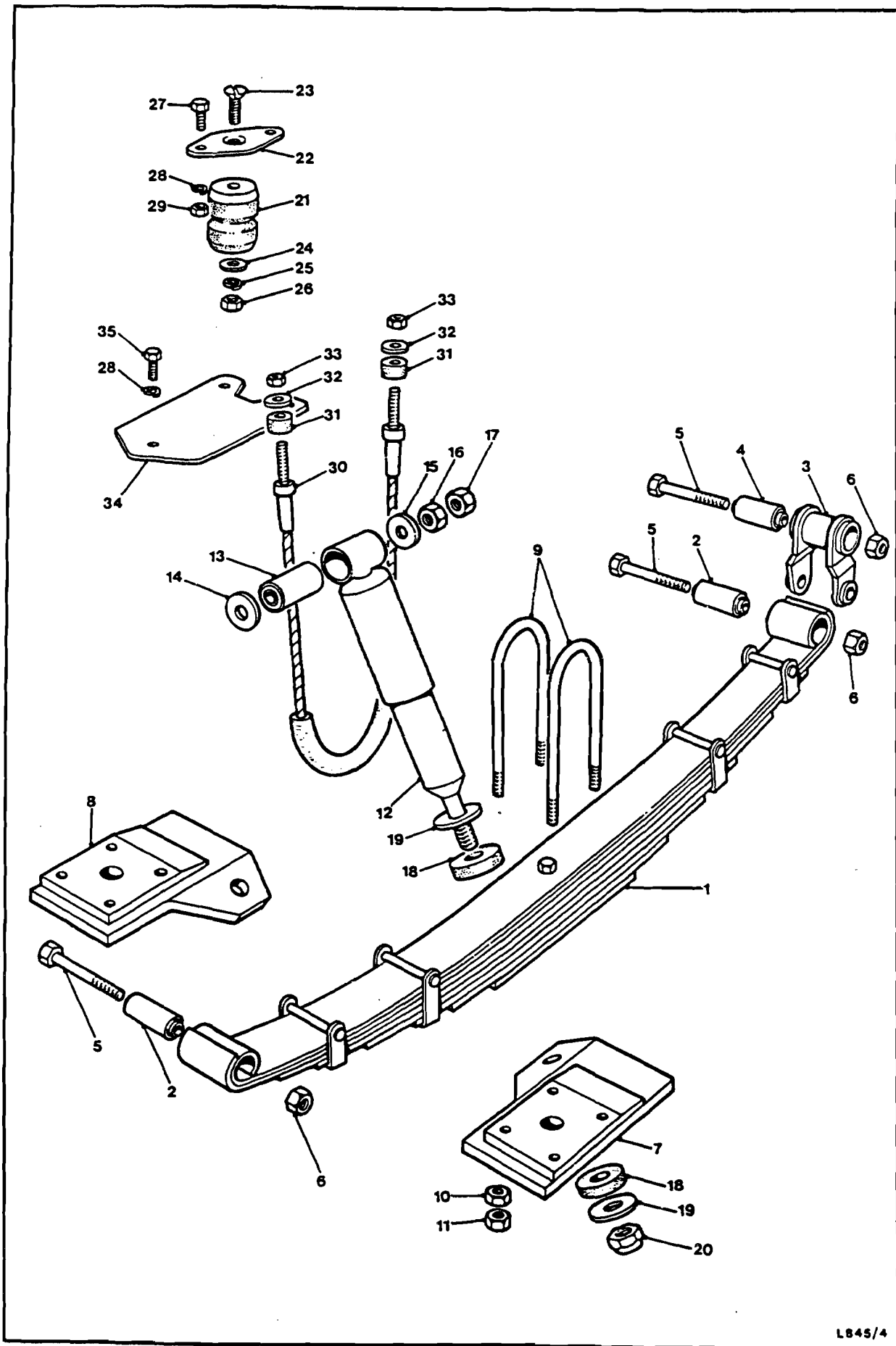
FIG ITEM	MAN.CODE NAVY-N ARMY-A RAF-R	NATO STOCK NUMBER	ITEM NAME AND DESCRIPTION	PART No./ DRAWING No.	No. OFF	ANNOTATIONS
1-			TRAILER, CARGO, 3/4 TONNE - contd			
			REAR JACK ASSEMBLY - contd			
58	A	G1	5310-99-941-6658 .. WASHER, LOCK, steel, single coil, sq sect., 1/2 in.		8	
59	A	G1	5310-99-941-0928 .. NUT, PLAIN, HEXAGON, UNF, steel, Zn coated, 1/2 in.		8	
60	A	9BTR	2590-99-205-6693 . FRONT JACK ASSEMBLY	FV666598	1	
61	A	9BTR	5355-99-795-1952 .. KNOB, PLASTIC, FRONT JACK	PO3501631200	1	
62	A	G1	5306-99-941-0349 . BOLT, MACHINE, UNF, steel, hex hd, 1.2 in. x 3-1/2 in. lg		2	
63	A	G1	5310-99-120-3891 . WASHER, FLAT, 1/2 in.		2	
64	A	G1	5310-99-941-6658 . WASHER, LOCK, single coil, 1/2 in.		2	
65	A	G1	5310-99-941-0928 . NUT, PLAIN, HEXAGON, steel, 1/2 in.		2	
NI	A	G1	5306-99-941-0342 . BOLT, MACHINE, UNF, steel, hex hd, 1.2 in. x 3-1/4 in. lg		2	
NI	A	G1	5306-99-122-2772 . BOLT, MACHINE, metric, hex hd, 10 x 35 mm lg		4	
NI	A	G1	5310-99-122-6476 . WASHER, FLAT, steel, 10 mm		4	
NI	A	G1	5310-99-135-9305 . WASHER, LOCK, steel, 10 mm		4	
NI	A	G1	5310-99-122-5297 . NUT, PLAIN, HEXAGON, metric 10 mm		4	
NI	A	7BTR	2590-99-795-1944 . JACK, LEVELLING - SUPPORT, jockey wheel assembly	FV924244	1	See chap 2-2 page 7



L845/4

Fig.2 Suspension

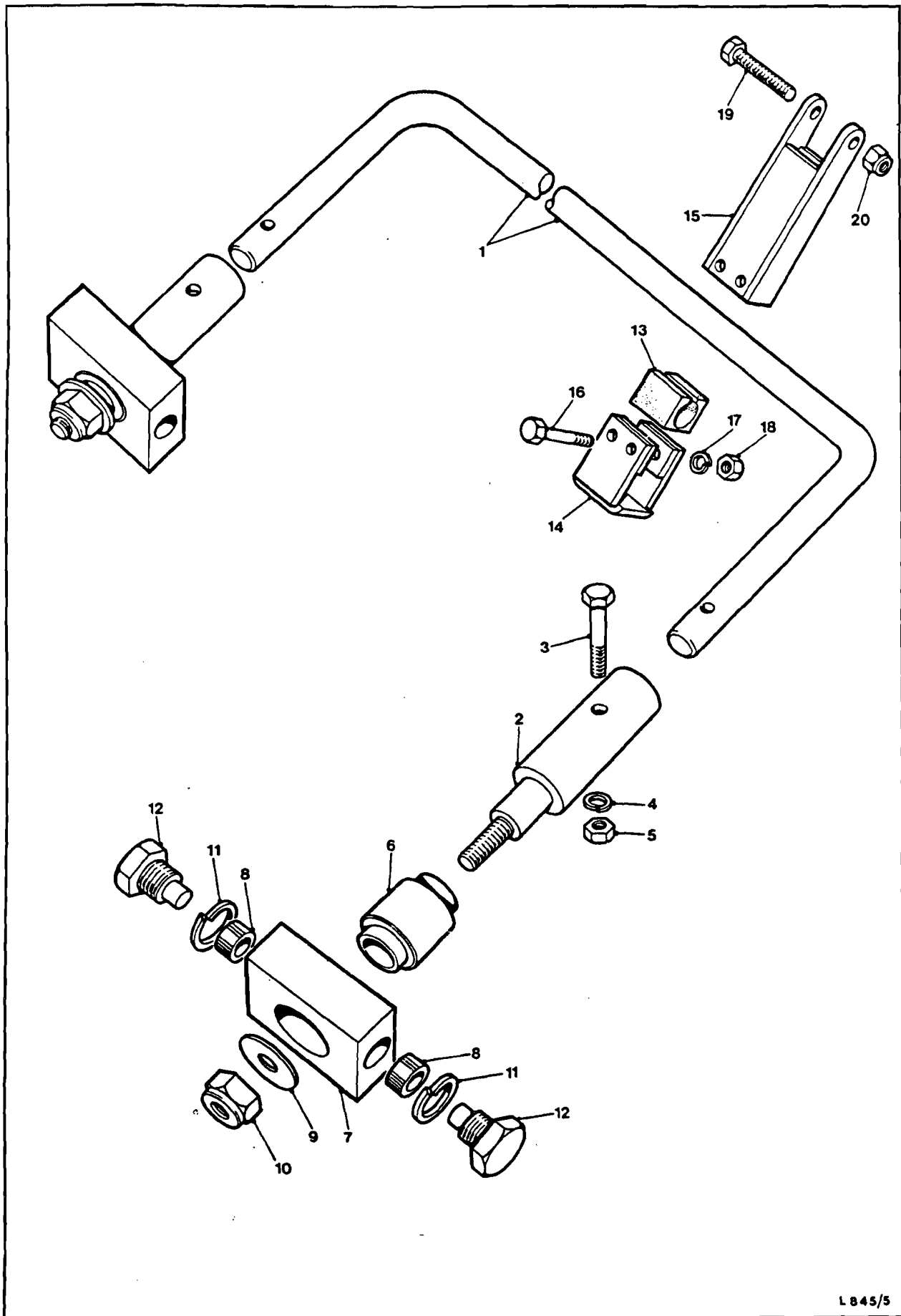
FIG ITEM	MAN.CODE NAVY-N ARMY-A RAF-R	NATO STOCK NUMBER	ITEM NAME AND DESCRIPTION	PART No./ DRAWING No.	No. OFF	ANNOTATIONS
2-						
1	A	9BTR 2530-99-832-1560	TRAILER, CARGO, 3/4 TONNE - contd .. SPRING ASSEMBLY, LEAF, steel, 8 leaves, laden 42 in. between centres	FV861678	2	
2	A	6MT1 5340-99-832-1556	.. MOUNT, RESILIENT, steel/rubber, 5/8 in. id x 1-1/4 in. od x 2-11/16 in. lg	E2140	4	
NI	A	9BTR 2530-99-832-1555	.. SPRING SHACKLE AND BUSH ASSEMBLY	FV861677	2	
3		NP	.. SPRING SHACKLE	FV861686	2	
4	A	6MT1 5340-99-832-1556	.. MOUNT, RESILIENT, steel/rubber, 5/8 in. id x 1-1/4 in. od x 2-11/16 in. lg	E2140	2	
5	A	G1 5306-99-941-0365	.. BOLT, MACHINE, UNF, steel, hex hd, Zn coated, 5/8 in. x 4 in. lg		6	
6	A	G1 5310-99-136-1520	.. NUT, PLAIN, HEXAGON, UNF, steel, washer faced, Zn coated, 5/8 in.		6	
7	A	9BTR 2530-99-832-1557	.. CLAMPING PLATE ASSEMBLY, lh	FV861682	1	
8	A	9BTR 2530-99-932-1558	.. CLAMPING PLATE ASSEMBLY, rh	FV861684	1	
9	A	9BTR 5306-99-832-1561	.. BOLT, U, UNF, steel, 3/8 in. 2.5 in. between legs	FV861679	4	
10	A	G1 5310-99-941-0926	.. NUT, PLAIN, HEXAGON, UNF, steel, Zn coated, 3/8 in.		8	
11	A	G1 5310-99-941-0904	.. NUT, PLAIN, HEXAGON, UNF, steel, lock, Zn coated, 3/8 in.		8	
12	A	6MT1 2540-99-800-7368	.. SHOCK ABSORBER, DIRECT ACTION	P3859	2	)Woodhead )Part No.
13			.. MOUNT, RESILIENT		2	
14	A	9BTR 5310-99-874-2237	.. WASHER, SHOCK ABSORBER EYE, OUTER	FV512563	2	
15	A	9BTR 5310-99-974-2236	.. WASHER, SHOCK ABSORBER EYE, INNER	FV512562	2	
16	A	G1 5310-99-136-1517	.. NUT, PLAIN, HEXAGON, UNF, 7/16 in.		2	
17	A	G1 5310-99-941-0905	.. NUT, PLAIN, HEXAGON, UNF, LOCK, 7/16 in.		2	
18		NP	.. RUBBER BUFFER		4	
19		NP	.. WASHER FLAT		4	
20		NP	.. NUT, PLAIN, HEXAGON		2	
NI		NP	.. RUBBER SPRING ASSEMBLY	FV861678	2	)Aeon type )520H
21	A	6MT1 5340-99-812-9329	.. MOUNT, RESILIENT, rubber, 2-3/8 in. od x 3-15/16 in. h	FV665608/30	1	
22	A	9BTR 2530-99-832-1554	.. PLATE, SUSPENSION, steel, diamond shape, 3 in. w x 5-1/2 in. lg x 1/4 in. thk	FV861685	1	
23	A	G1 5305-99-941-1781	.. SCREW, MACHINE, UNF, steel, csk hd, 3/8 in. x 1-1/4 in. lg		1	
24	A	6MT1 5310-99-802-5872	.. WASHER, FLAT, steel, 3/8 in. id x 1 in. od x 3/16 in. thk	FV665608/33	1	



LB45/4

Fig.2 Suspension

FIG ITEM	MAN.CODE NAVY-N ARMY-A RAF-R	NATO STOCK NUMBER	ITEM NAME AND DESCRIPTION	PART No./ DRAWING No.	No. OFF	ANNOTATIONS
2-			TRAILER, CARGO, 3/4 TONNE - contd . RUBBER SPRING ASSEMBLY - contd			
25	A G1	5310-99-941-6656	.. WASHER, LOCK, steel, single coll, 3/8 in.		1	
26	A G1	5310-99-941-0926	.. NUT, PLAIN, HEXAGON, 3/8 in.		1	
27	A G1	5305-99-941-0280	. SCREW, MACHINE, UNF, hex hd, 1/4 in. x 1 in. lg		4	
28	A G1	5310-99-941-6654	. WASHER, LOCK, UNF, 1/4 in.		4	
29	A G1	5310-99-941-0924	. NUT, PLAIN, HEXAGON, UNF, 1/4 in.		4	
30	A 9BTR	2530-99-932-1562	. CHECK CABLE ASSEMBLY, UNF, 3/8 in. thd, 5 mm dia wire, 1/4 in. id steel tube	FV861681	2	
31	A 9BTR	2540-99-874-2269	. BUFFER, CHECK CABLE	FV556150	4	
32	A G1	5310-99-120-7444	. WASHER, FLAT, 3/8 in.		4	
33	A G1	5310-99-526-6255	. NUT, SELF-LOCKING, HEXAGON, steel, 3/8 in.		4	
34		NP	. PLATE, COVER	FV861680	2	
35	A G1	5305-99-941-0512	. SCREW, MACHINE, UNF, steel, hex hd, Zn coated, 1/4 in. x 5/8 in. lg		6	

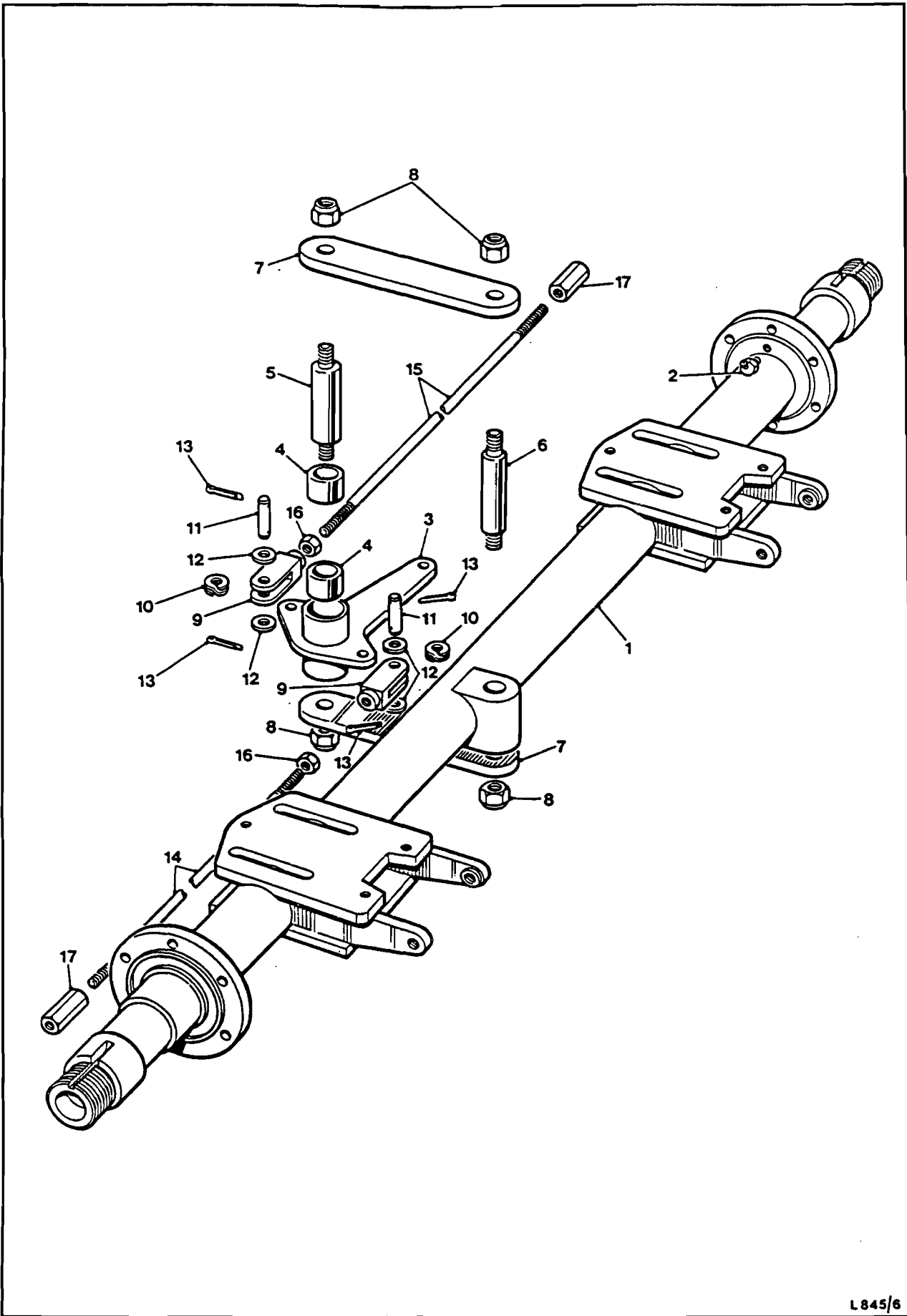


L845/5

Fig.3 Anti-roll bar



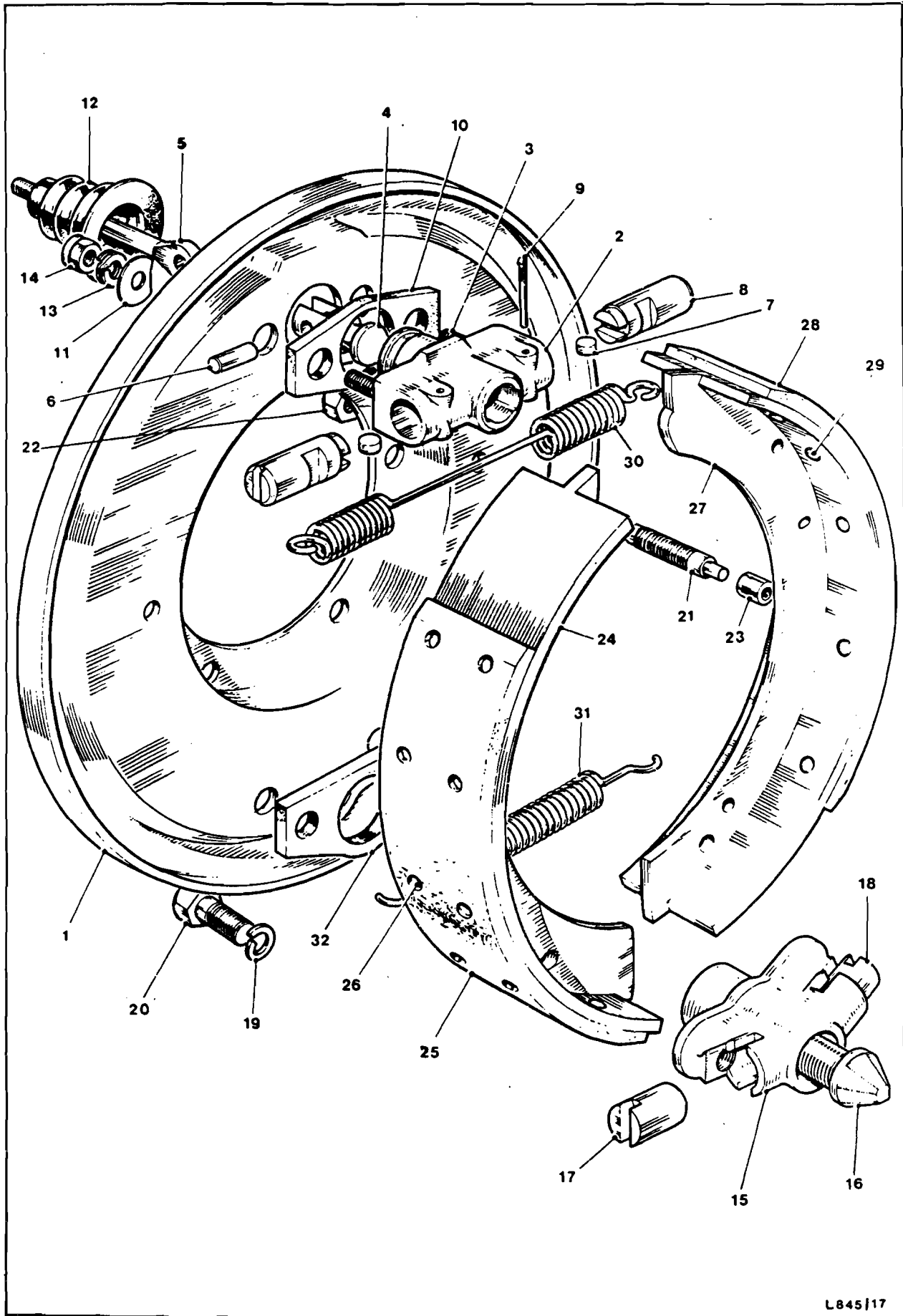
FIG ITEM	MAN.CODE NAVY-N ARMY-A RAF-R	NATO STOCK NUMBER	ITEM NAME AND DESCRIPTION	PART No./ DRAWING No.	No. OFF	ANNOTATIONS
3-			TRAILER, CARGO, 3/4 TONNE - contd			
1		NP	.. ANTI-ROLL BAR ASSEMBLY	FV861674		
2		NP	.. ANTI-ROLL BAR	FV861672	1	
3	A	G1	5306-99-941-0285 .. BOLT, MACHINE, UNF, steel, hex hd, 1/4 in. x 1-3/4 in. lg	FV861671	2	
4	A	G1	5310-99-941-6645 .. WASHER, LOCK, A1/4 IN.		2	
5	A	G1	5310-99-804-7941 .. NUT, PLAIN, HEXAGON, UNF, 1/4 in.		2	
6	NI	A	9BTR 5340-99-832-4632 .. SWIVEL BLOCK ASSEMBLY	FV861665	2	
7	A	6MT1	5340-99-832-1563 .. BUSH, METALASTIC ULTRA DRY	26-14710-00194	2	
8		NP	.. SWIVEL BLOCK	FV861666	2	
9	A	6MT1	3120-99-200-2459 .. BEARING, SLEEVE, Phos B, 5/8 in. ld x 3/8 in. od x 5/8 in. lg	26-14710-00193	4	
10	A	G1	5310-99-941-8640 .. WASHER, FLAT, steel, Zn coated, 3/4 in.		2	
11	A	G1	5310-99-122-4813 .. NUT, SELF-LOCKING, HEXAGON, UNF, steel, thin, 3/4 in.		2	
12	A	G1	5310-99-941-6661 .. WASHER, LOCK, steel, single coll, 3/4 in.		4	
13	A	9BTR	2530-99-832-1559 .. SWIVEL PIN, UNF, steel, hex hd, 3/4 in. x 1.980 in. lg	FV861673	4	
14	NI	A	9BTR 2530-99-839-4201 .. PIN, SWIVEL, UNF, steel, hex hd, 3/4 in. 1st end tapped 3/8 in. hole	FV861673	4	Used with lubricating nipple
15	NI	NP	.. LOCATING BRACKET ASSEMBLY	FV861667	2	
16		NP	.. BUSH	FV861670	2	
17		NP	.. BRACKET, CLAMPING	FV861669	2	
18		NP	.. BRACKET, LOCATING	FV861668	2	
19	A	G1	5306-99-941-0303 .. BOLT, MACHINE, UNF, steel, hex hd, 5/16 in. x 2-1/2 in. lg		4	
20	A	G1	5310-99-941-6655 .. WASHER, LOCK, 5/16 in.		4	
21	A	G1	5310-99-941-0925 .. NUT, PLAIN, HEXAGON, UNF, 5/16 in.		4	
22	A	9BTR	5306-99-832-1564 .. BOLT, MACHINE, UNF, STEEL, hex hd, 3/8 in. x 3 in. lg		2	
23			.. NUT, SELF-LOCKING, HEXAGON, UNF, 3/8 in.		2	
24	NI	A	6MT1 4730-99-943-9379 .. LUBRICATING NIPPLE, steel, angle hydraulic type, 3/8 in.		2	



L845/6

Fig.4 Axle and brake compensator

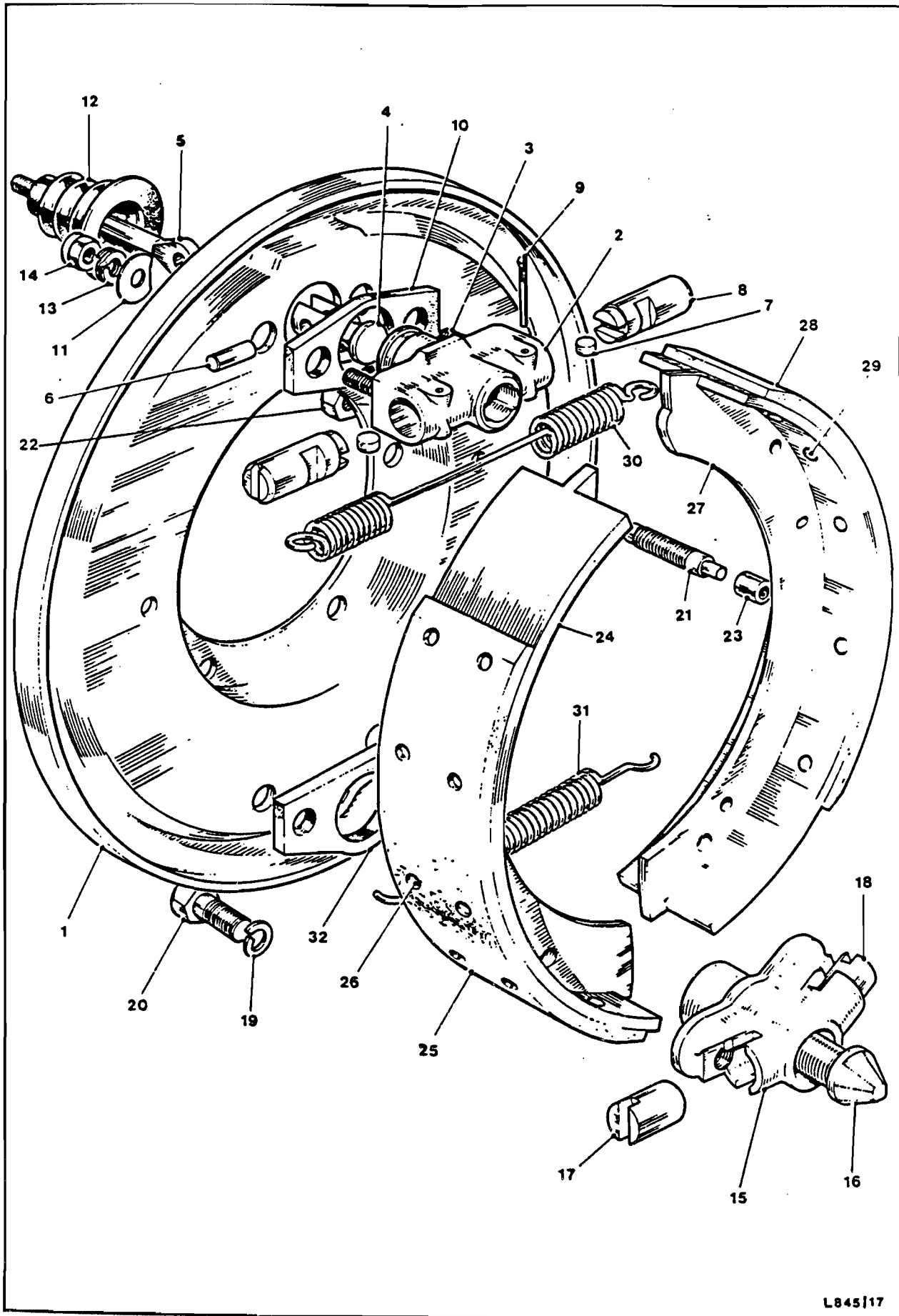
FIG ITEM	MAN.CODE NAVY-N ARMY-A RAF-R	NATO STOCK NUMBER	ITEM NAME AND DESCRIPTION	PART No./ DRAWING No.	No. OFF	ANNOTATIONS
4-						
1		NP	TRAILER, CARGO, 3/4 TONNE - contd . AXLE, COMPLETE, welded assy	FV861653	1	)Rubery )Owen 560 )001 419
2	A	6MT1 4730-99-943-9375	. LUBRICATING NIPPLE		2	
3	A	9BTR 2530-99-810-2633	. COMPENSATOR, LEVER	FV556077	1	
4	A	6MT1 3120-99-200-2455	. BEARING, SLEEVE	FV12078	2	
5	A	9BTR 5315-99-874-2255	. PIN, COMPENSATOR ARM	FV556079	1	
6	A	9BTR 5315-99-874-2256	. PIN, COMPENSATOR ARM	FV556081	1	
7	A	9BTR 2540-99-874-2254	. ARM, COMPENSATOR	FV556078	2	
8	A	G1 5310-99-526-5526	. NUT, SELF-LOCKING, HEXAGON, UNF, steel, all-metal, Zn coated, 3/8 in.		4	)Philidas )Mk V )26 11578 )00557
9	A	9BTR 5340-99-848-9221	. FORK END	FV7864	2	
10	A	G1 5310-99-941-6628	. WASHER, LOCK, DOUBLE COIL		2	
11	A	9BTR 5315-99-848-9224	. PIN, STRAIGHT, HEADLESS	FV7867	2	
12	A	G1 5310-99-941-8386	. WASHER, FLAT, steel, Zn coated, 5/16 in.		4	
13	A	G1 5815-99-138-2201	. PIN, COTTER, SPLIT, steel, phosphated, 1.6 mm x 25 mm lg		4	
14	A	9BTR 5306-99-832-1552	. ROD, THREADED ENDS, UNF, steel, phosphated, 5/16 in. x 18-3/4 in. lg, lh	FV861664	1	
15	A	9BTR 5306-99-832-1551	. ROD, THREADED ENDS, UNF, steel, phosphated, 5/16 in. x 27 in. lg, rh	FV861663	1	
16	A	G1 5310-99-136-1515	. NUT, PLAIN, HEXAGON, UNF, steel, Zn coated, 5/16 in.		2	
17	A	9BTR 5310-99-848-9323	. NUT, PLAIN, HEXAGON, UNF, steel, 5/16 in. x 1-1/2 in. h	FV12109	2	



L845/17

Fig.5 Brake

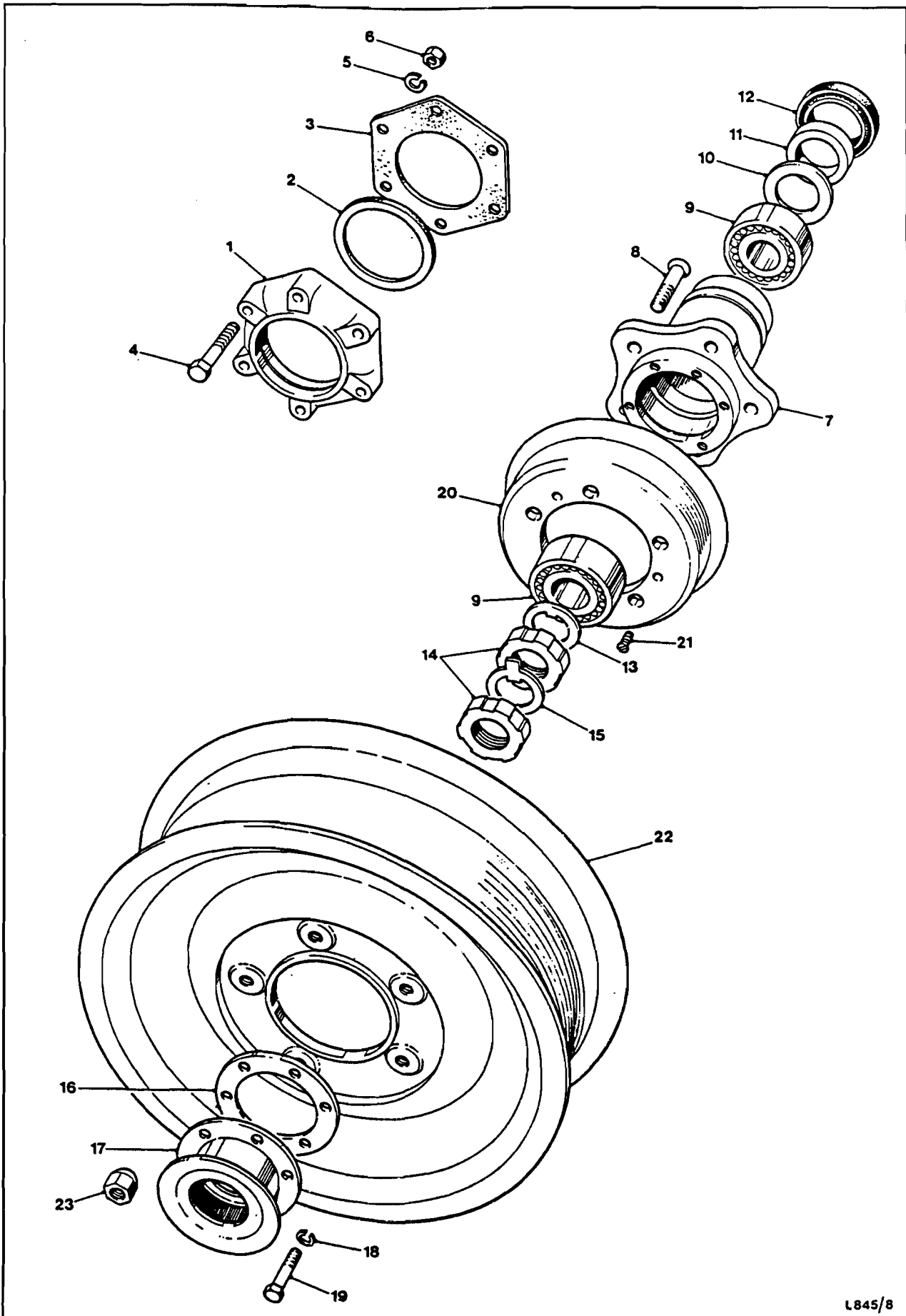
FIG ITEM	MAN.CODE NAVY-N ARMY-A RAF-R	NATO STOCK NUMBER	ITEM NAME AND DESCRIPTION	PART No./ DRAWING No.	No. OFF	ANNOTATIONS
5-			TRAILER, CARGO, 3/4 TONNE - contd			
1		NP	. BRAKE ASSEMBLY, LEFT	64029960 FL	1	
NI	A	6MT9 2530-99-805-8262	.. BACKPLATE	64273878	1	
		NP	. BRAKE ASSEMBLY, right	64029962 FL	1	
NI	A	6MT9 2530-99-882-0879	.. BACKPLATE	64273879	1	
			. BRAKE ASSEMBLIES -			
NI	A	6MT9 2530-99-400-4758	.. EXPANDER UNIT	GB42705	1	Per assy
NI	A	6MT9 2530-99-831-9848	.. EXPANDER, ASSEMBLY, BRAKE	SSB75645	1	)Alternative
2	A	6MT9 2530-99-836-4863	... BODY, BRAKE EXPANDER	GB42706	1	
4	A	6MT9 2530-99-836-3640	... CONE, BRAKE EXPANDER	GB1404C	1	
5	A	6MT9 2530-99-836-4803	... DRAW LINK, BRAKE EXPANDER	GB42078	1	
6	A	6MT9 2530-99-836-3511	... PIN, BRAKE DRAW LINK, steel, 1/4 in. x 23/32 in. lg	GB67	1	
NI	A	7AT 3895-99-208-0259	... EYEBOLT, brake expander	3761-422	2	)Alternative
NI	A	7AT 3895-99-208-0261	... PIN, FOR EXPANDER	3443-233	2	)
7	A	6MT9 3110-99-836-3543	... ROLLER, BEARING, steel, 5/16 in. dia x 1.4 in. lg	GB535	2	
8	A	6MT9 2530-99-836-4802	... TAPPET, BRAKE SHOE	GB41077C	2	
9	A	G1 5315-99-942-0385	... PIN, COTTER, SPLIT, steel, phos, 3/32 in. x 1-1/2 in. lg		2	
11	A	6MT9 5310-99-836-3763	.. WASHER, KEY, 0.265 in. ld x 0.056 in. thk, 2 ext keys	GB2841	2	
12	A	6MT9 2530-99-836-3731	.. COVER, DUST, BRAKE EXPANDER	GB2501	1	
NI	A	6MT9 2530-99-833-9002	.. BOOT, DUST AND MOISTURE SEAL	32324	2	)Alternative
13	A	G1 5310-99-941-6627	.. WASHER, LOCK, steel, double coil, 1/4 in.		2	
14	A	G1 5310-99-120-3164	.. NUT, SELF-LOCKING, HEXAGON, BSF, steel, nylon insert, Zn coated, 1/4 in.		2	



L845117

Fig.5 Brake

FIG ITEM	MAN.CODE NAVY-N ARMY-A RAF-R	NATO STOCK NUMBER	ITEM NAME AND DESCRIPTION	PART No./ DRAWING No.	No. OFF	ANNOTATIONS
5-			TRAILER, CARGO, 3/4 TONNE- Contd			
15	A	6MT9 2530-99-836-4722	.. ADJUSTER ASSEMBLY, BRAKE	5T/120	2	
16	A	6MT9 2530-99-882-0068	... CONE, BRAKE ADJUSTER	64225129	1	
17	A	6MT9 2530-99-881-9879	... PLUNGER, lh	64224703	1	
18	A	6MT9 2530-99-882-0386	... PLUNGER, rh	64224706	1	
NI	A	6MT9 2530-99-881-2434	.. ADJUSTER ASSEMBLY, MICRAM	25254	2	)Alternative
19	A	G1 5310-99-944-0550	.. WASHER, LOCK, steel, single coil, sq sect., Cd plated, 3/8 in.		2	
20	A	G1 5305-99-941-0438	.. SCREW, MACHINE, UNF, steel, hex hd, 3/8 in. x 3/4 in. lg		2	
21	A	6MT9 2530-99-836-4627	.. STOP, BRAKE SHOE	64224392	2	
22	A	G1 5310-99-941-0914	.. NUT, PLAIN, HEXAGON, UNF, steel, Zn coated, 5/16 in.		2	
23	A	6MT9 5330-99-400-4642	.. BUSH, FELT, brake shoe stop	GB14818	2	
NI	A	6MT9 2530-99-823-7276	.. BRAKE SHOE, INTERNALLY ACTUATED, leading and trailing	64937596 PH	1	
NI	A	6MT9 2530-99-837-2118	.. BRAKE SHOE, set c/w linings	LB3178/AM8	2	
NI	A	6MT9 2530-99-836-3595	.. LINING	SP1334	2	
NI	A	6MT9 2530-99-836-3596	.. LINING	SP1335	2	
30	A	6MT9 5360-99-766-8840	.. SPRING, HELICAL, EXTENSION	64373250	1	)Expander )end
NI	A	6MT9 5360-99-630-0171	.. SPRING, HELICAL, EXTENSION	AU/LK/89963	1	)Alternative
31	A	6MT9 2530-99-836-4939	.. SPRING, HELICAL, EXTENSION	GB43585	1	)Adjuster )end
NI	A	6MT9 5360-99-809-5821	.. SPRING, HELICAL, EXTENSION	B9485	2	Alternative



L845/8

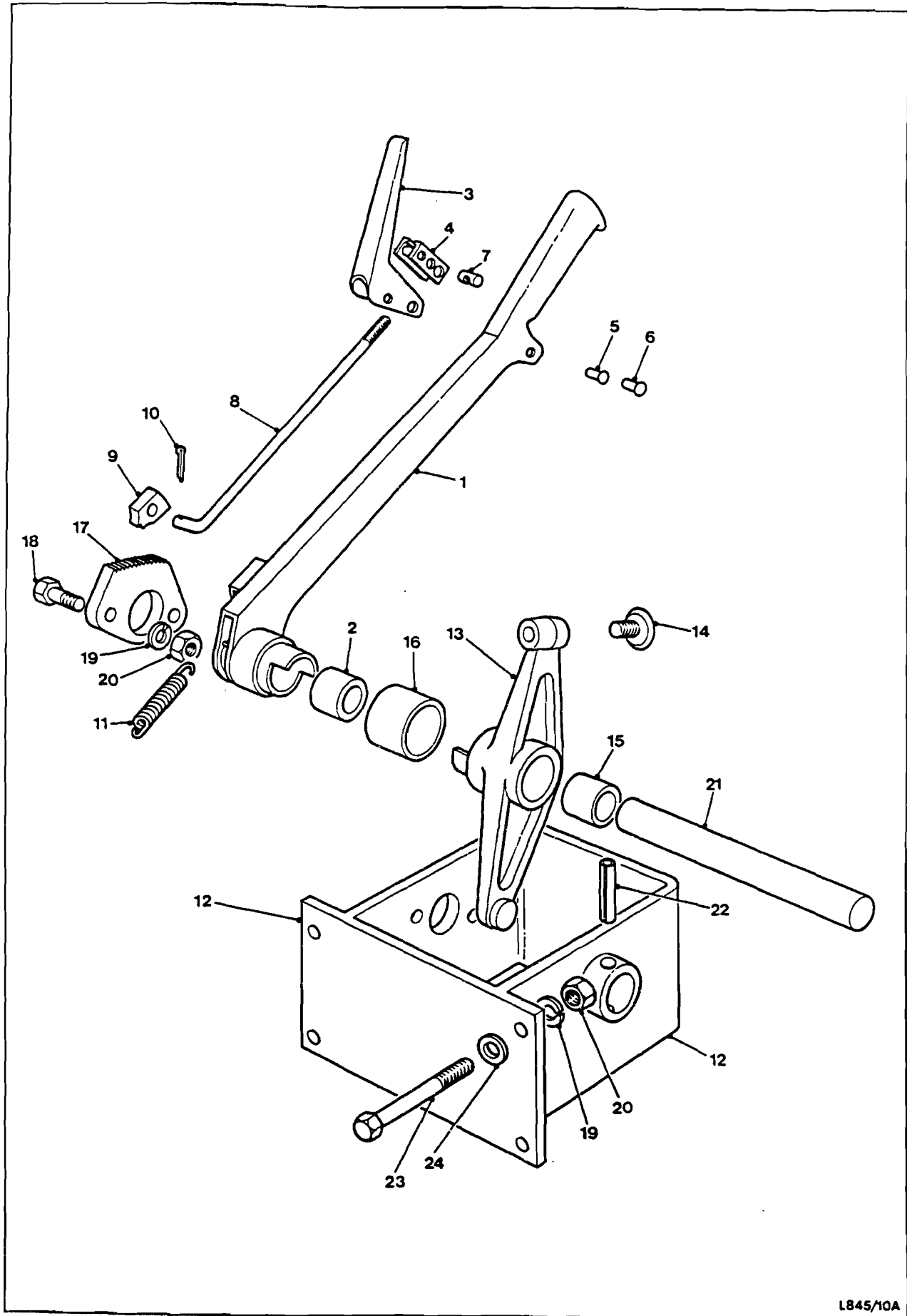
Fig.6 Hub and wheel



FIG ITEM	MAN.CODE NAVY-N ARMY-A RAF-R	NATO STOCK NUMBER	ITEM NAME AND DESCRIPTION	PART No./ DRAWING No.	No. OFF	ANNOTATIONS
6-			TRAILER, CARGO, 3/4 TONNE - contd			
1	A 9BTR	2530-99-820-5007	DEFLECTOR, OIL	FV746828	2	
2	A 9BTR	5330-99-848-1519	WASHER, NON-METALLIC, leather, 3.589 in. ld x 4.218 in. od x 0.117 in. thk	FV15302	2	
3	A 9BTR	2530-99-848-1518	GASKET, paper	FV15301	2	
4	A G1	5301-99-941-0314	BOLT, MACHINE, UNF, steel, hex hd, Zn coated, 3/8 in. x 1-3/4 in. lg		12	
5	A G1	5310-99-941-6656	WASHER, LOCK, single coil, 3/8 in.		12	
6	A G1	5310-99-941-0926	NUT, PLAIN, HEXAGON, UNF, 3/8 in.		12	
7	A 9BTR	2530-99-831-9846	HUB, WHEEL, c/w stud	FV861780	2	
8	A 9BTR	2530-99-831-9847	STUD, WHEEL, metric, steel, Cd plated, 16 x 1.5 mm pitch	FV850761	10	
9	A 6MT7	3110-99-950-1057	BEARING, TAPER ROLLER, CONE CUP		4	
10	A 9BTR	5310-99-848-9318	WASHER, FLAT	FV12062	2	
11	A 9BTR	2530-99-848-1412	RETAINER, OIL SEAL	FV14350	2	
12	A 6MT1	5330-99-832-1553	SEAL, PLAIN, ENCASED		2	
13	A 9BTR	2520-99-848-1164	WASHER, BEARINGS, HUB	FV14356	2	
14	A 9BTR	2530-99-848-1984	NUT, CIRCULAR, WHEEL HUB	FV131185	4	
15	A 9BTR	2530-99-848-1974	WASHER, LOCK, WHEEL HUB	FV15761	2	
16	A 9BTR	2530-99-848-9314	WASHER, JOINT, HUB CAP	FV12066	2	
17	A 9BTR	2530-99-848-9315	CAP, ROAD WHEEL HUB	FV12069	2	
18	A G1	5310-99-941-6655	WASHER, LOCK, 5/16 in.		12	
19	A G1	5305-99-941-0527	SCREW, MACHINE, UNF, steel, hex hd, 5/16 in. x 1 in. lg		12	
20	A 9BTR	2530-99-848-1902	BRAKE DRUM	FV14361	2	
21	A G1	5305-99-941-1749	SCREW, MACHINE, UNF, steel, csk hd, 1/4 in. x 5/8 in. lg		6	
22	A 6MT14	2530-99-809-2504	WHEEL, PNEUMATIC TYRE, 5.50F x 16, well base, 5 stud	FV607330	2	
23	A 7RU	5310-99-819-1858	NUT, CONE, SEAT, HEXAGON, metric, steel, Cd plated, 16 x 1.5 mm pitch	FV850762	10	
NI	A 6MT14	2610-99-809-3576	TYRE PNEUMATIC, 6.50-16, cross-ply, standard tread		2	
NI	A 6MT14	2620-99-809-3632	INNER TUBE, PNEUMATIC TYRE		2	
NI	A 6MT14	2640-99-809-4086	VALVE PNEUMATIC, rubber covered, 1-3/8 in. h		2	
NI	A 6MT14	2640-99-809-4083	VALVE CORE		2	
NI	A 6MT14	2640-00-052-0944	CAP, PNEUMATIC TYRE VALVE		2	



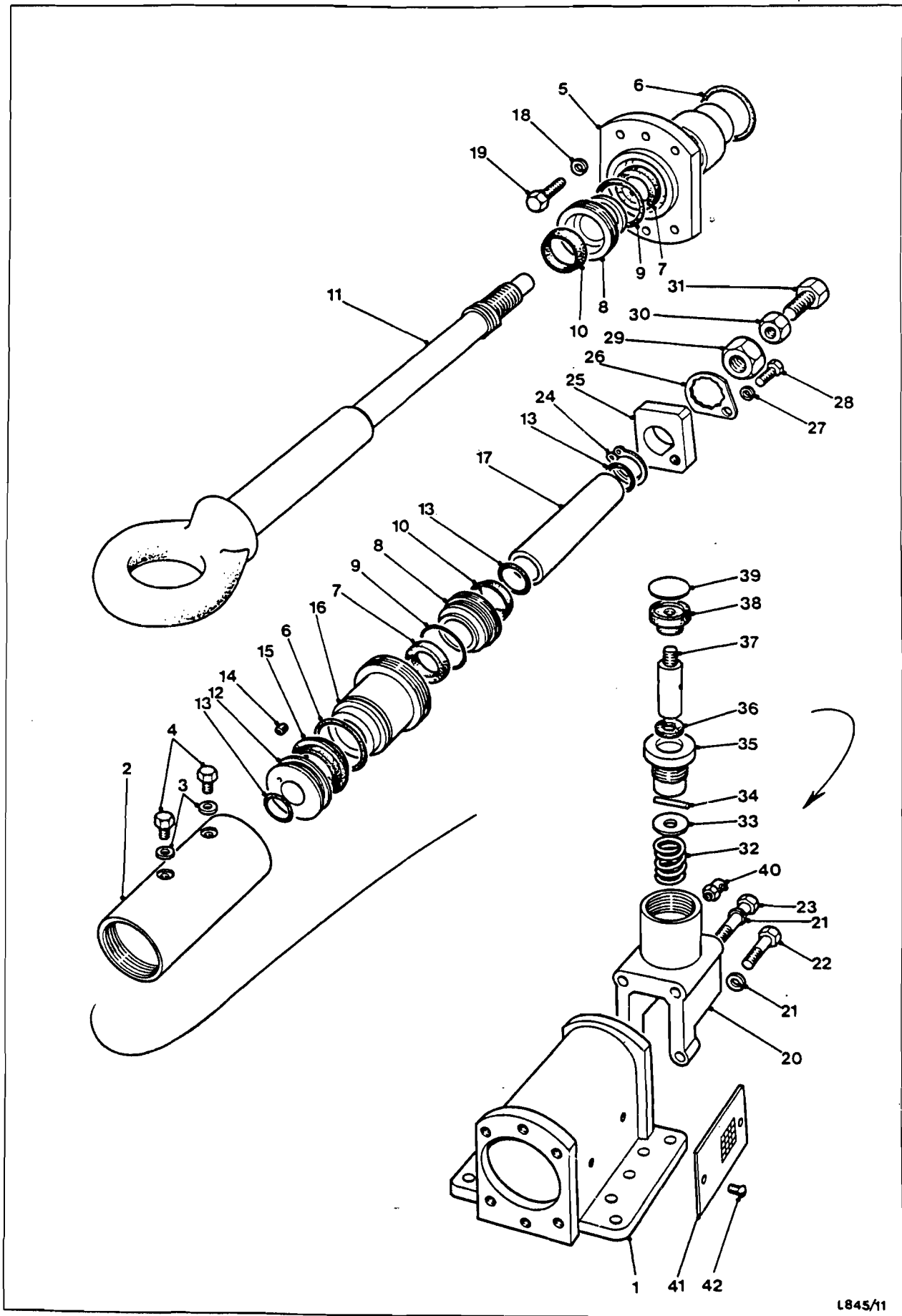
FIG ITEM	MAN.CODE NAVY-N ARMY-A RAF-R	NATO STOCK NUMBER	ITEM NAME AND DESCRIPTION	PART No./ DRAWING No.	No. OFF	ANNOTATIONS
7-			TRAILER, CARGO, 3/4 TONNE - contd			
1	A	9BTR 2530-99-874-2262	. LEVER RELAY, OVER-RUN BRAKE	FV556109	1	
2	A	9BTR 2590-99-461-0102	. BEARING, SLEEVE	FV7905	1	
3	A	9BTR 5340-99-848-8221	. FORK END	FV7864	4	
4	A	G1 5310-99-941-6628	. WASHER, LOCK, DOUBLE COIL, 5/16 in.		4	
5	A	9BTR 5315-99-848-9224	. PIN, STRAIGHT, HEADLESS	FV7867	5	
6			. WASHER, PLAIN, 5/16 IN., heavy gauge		10	
7	A	G1 5315-99-138-2201	. PIN, COTTER, SPLIT, steel, phosphated, 1.60 mm x 25 mm lg		10	
8	A	9BTR 5315-99-832-1571	. PIN, STRAIGHT, HEADLESS, steel, 5/8 in. x 2-3/4 in. lg	FV861713	1	
9	A	G1 5315-99-127-9921	. PIN, COTTER, SPLIT, steel, 1/8 in. x 1-1/4 in. lg		1	
10	A	G1 5306-99-774-2320	. ROD, 5/16 in. x 41.18 in. lg	FV924193	1	
11	A	9BTR 2530-99-874-2265	. ROD, BRAKE, BRAKE LEVER TO RELAY LEVER	FV556128	1	
NI	A	9BTR 2530-99-774-2319	. ROD, BRAKE, rod spring, and fork at each end 44.88 in. lg	FV924192	1	
12	A	G1 5310-99-136-1526	. NUT, PLAIN, HEXAGON, UNF, steel, 5/16 in.		4	
13	A	9BTR 2530-99-848-9234	. LOCK, SPRING, RETURN ROD BRAKE	FV7911	1	
14	A	9BTR 2530-99-848-9235	. LOCKNUT, SPRING RETURN, ROD BRAKE	FV7912	1	
15	A	G1 5305-99-941-0524	. SCREW, MACHINE, UNF, steel, hex hd, Zn coated, 5/16 in. x 5/8 in. lg		1	
16	A	9BTR 2530-99-848-9233	. WASHER, LOCATING, SPRING, ROD BRAKE	FV7910	2	
17	A	9BTR 5306-99-848-9232	. SPRING, HELICAL, COMPRESSIONS	FV7909	1	
18	A	9BTR 2530-99-849-0009	. PAD, SPRING, RETURN, ROD, BRAKE	FV11556	1	
19	A	9BTR 3040-99-848-9228	. LINK CONNECTING RIGID, knuckle joint	FV7900	1	
NI	A	G1 5310-99-941-6627	. WASHER, LOCK, steel, double coil, 1/4 in.		4	



L845/10A

Fig.8 Handbrake and overrun lever

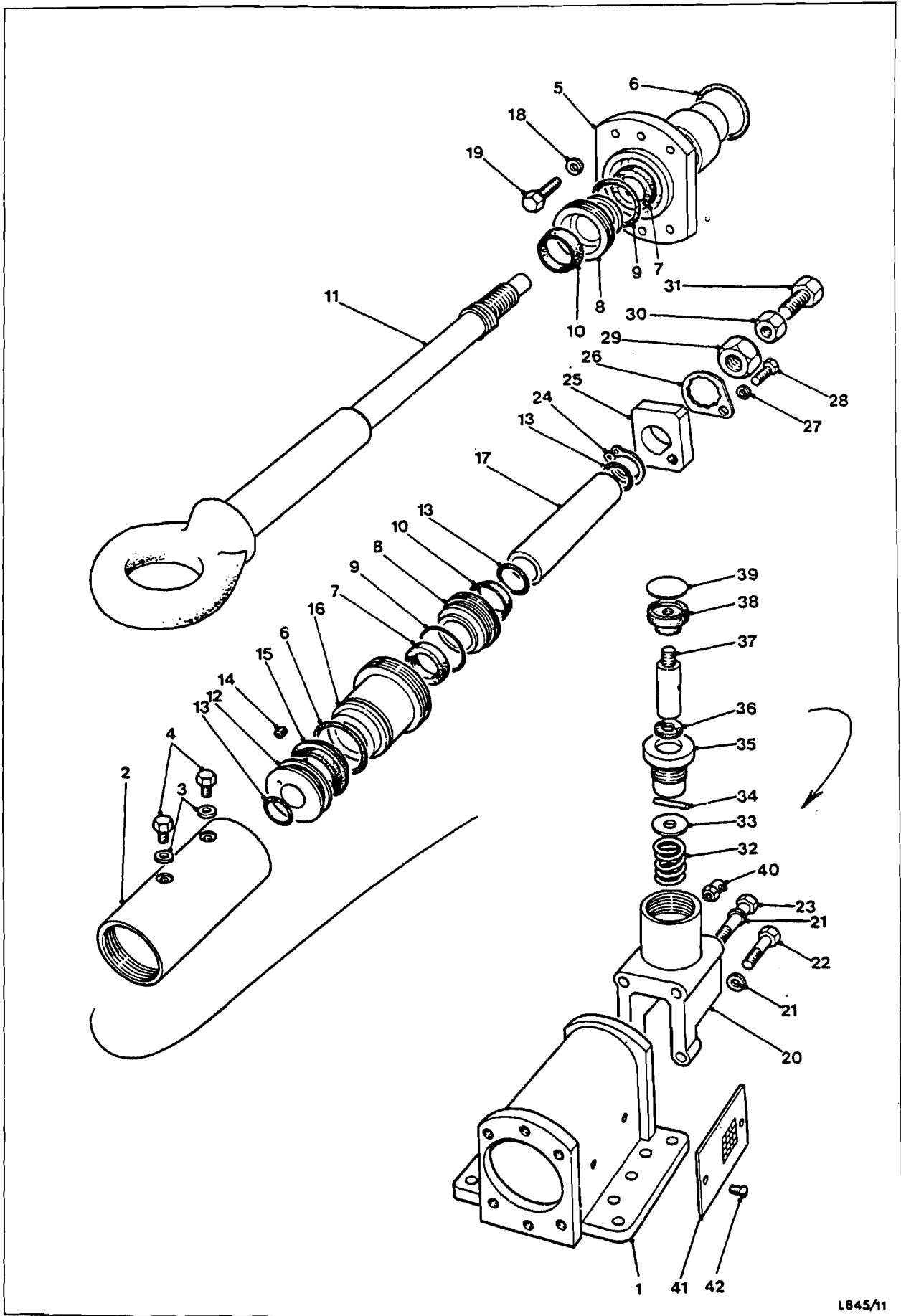
FIG ITEM	MAN.CODE NAVY-N ARMY-A RAF-R	NATO STOCK NUMBER	ITEM NAME AND DESCRIPTION	PART No./ DRAWING No.	No. OFF	ANNOTATIONS
B-			TRAILER, CARGO, 3/4 TONNE - contd			
		NP	.. HANDBRAKE AND OVERRUN ASSEMBLY	FV66631	1	
1	A	9BTR 2530-99-832-1565	.. LEVER, HAND CONTROL, welded assy	FV666337	1	
2	A	9BTR 2530-99-831-7472	.. LATCH, HANDBRAKE LEVER	EC007749A	1	
3		NP	.. LATCH, PIVOT ARM	EC14425A	1	
4		NP	.. RIVET	EC15620A	1	
5		NP	.. RIVET	EC15619A	1	
6	A	9BTR 2530-99-831-7471	.. NIPPLE, PAWL ROD	EC14420A	1	
7	A	9BTR 2530-99-831-7470	.. ROD, HANDBRAKE PAWL	EC14419A	1	
8	A	9BTR 2530-99-831-7468	.. PAWL, HANDBRAKE	EC14418A	1	
9			.. PIN, COTTER, SPLIT	EC000008A	1	
10	A	9BTR 2530-99-832-1570	.. QUADRANT, CONTROL LEVER	FV666336	1	
11	A	G1 5305-99-941-0527	.. SCREW, MACHINE, UNF, steel, hex hd, Zn coated, 5/16 in. x 1 in. lg		2	
12	A	G1 5310-99-941-6655	.. WASHER, LOCK, steel, 5/16 in.		6	
13	A	G1 5310-99-941-0925	.. NUT, PLAIN, HEXAGON, UNF, steel, Zn coated, 5/16 in.		6	
14	A	9BTR 2520-99-832-1566	.. BRAKE OVERRUN LEVER	FV490937	1	
15	A	9BTR 2530-99-832-1567	.. BUTTON, BRAKE LEVER	FV666344	1	
16	A	6MT1 3120-99-200-2486	.. BEARING, SLEEVE	FV7926	2	
17	A	9BTR 2530-99-848-9244	.. COVER, DUST, LEVER, BRAKE	FV7943	1	
18		NP	.. BRACKET	FV666333	1	
19	A	G1 5306-99-941-0304	.. BOLT, MACHINE, UNF, steel, hex hd, Zn coated, 5/16 in. x 2-3/4 in. lg		4	
20	A	G1 5310-99-135-7200	.. WASHER, FLAT, steel, Zn coated, 5/16 in.		4	
21	A	9BTR 2530-99-832-1569	.. SHAFT, SHOULDERED	FV666335	1	
22	A	G1 5315-99-924-9949	.. PIN, SPRING TENSION, 1/4 in. dia x 1-1/2 in. lg		1	
23	A	9BTR 5360-99-831-7469	.. SPRING, HELICAL, EXTENSION, 1/4 in. dia x 1 in. lg	EC14423A	1	
NI	A	9BTR 3040-99-848-9228	.. LINK, CONNECTING RIGID	FV7900	1	



L845/11

Fig.9 Hydraulic damper and draft eye

FIG ITEM	MAN.CODE NAVY-N ARMY-A RAF-R	NATO STOCK NUMBER	ITEM NAME AND DESCRIPTION	PART No./ DRAWING No.	No. OFF	ANNOTATIONS
9-			TRAILER, CARGO, 3/4 TONNE - contd			
	A	9BTR	2540-99-829-4549 .. DAMPER, ASSEMBLY, OVERRUN, type MD63	FV861719	1	
1		NP	... HOUSING, DAMPER	9904-0635- 13002	1	
2		NP	... TUBE, DAMPER	9904-0635- 01002	1	
3	A	6MT1	5330-99-534-4406 ... GASKET, rubber/steel, 0.465 in. id	9234-0125- 00001	2	
4	A	9BTR	5365-99-831-9832 ... PLUG, SCREWED, BSP, steel, hex hd, 1/8 in. x 3/8 in. lg	9904-0635- 08001	2	
5		NP	... GLAND, FLANGED	9904-0635- 02002	1	
6	A	6MT1	5330-99-803-5166 ... RING, SEALING, TOROIDAL, synthetic rubber, 2-1/4 in. id x 9/64 in. h	9003-8139- 02250	2	
7	A	9BTR	5330-99-831-9842 ... RING, SEALING, ROD, polyure- thane, 40 mm id x 50 mm od x 10.5 mm h	9121-0101- 00400	2	
8	A	7TR	2590-99-835-0177 ... RETAINER, SEAL, phosphor bronze 2-1/2 in. lg x 1-1/2 in. lg	9904-0635- 16001	2	
9	A	6MT1	5330-99-831-9839 ... RING, SEALING, TOROIDAL, synthetic, rubber, 51.6 mm id x 2.4 mm h	9001-6024- 00516	2	
10	A	6MT1	2530-99-831-9843 ... RING, WIPER, 40 mm id x 50 mm od x 10 mm h	9121-0064- 00400	2	
11	A	9BTR	2540-99-831-9831 ... EYE, TOWING, steel	9904-0635- 05002	1	
12	A	9BTR	2540-99-831-9833 ... PISTON, steel, 31.97 mm id x 61.5 mm od x 23.0 mm lg	9904-0635- 06001	1	
13	A	6MT1	5330-99-831-9840 ... RING, SEALING, TOROIDAL, rubber, 31.6 mm id x 24 mm h	9001-8024- 00316	3	
14	A	9BTR	4730-99-831-9834 ... RESTRICTOR, FLUID DLOW, metric, steel, socket drive, cone point, M6 x 8 mm lg	9900-0501- 09001	1	
15	A	6MT1	5330-99-831-9841 ... PACKING ASSEMBLY, rubber, 53 mm id x 63 mm od x 11 mm thk	91091-0003- 00630	1	
16		NP	... GLAND, PLAIN	9904-0635- 02001	1	
17		NP	... SPACER, TUBE	9904-0635- 01004	1	
18	A	G1	5310-99-135-9303 ... WASHER, LOCK, steel, single coil, Cd plated, M10		6	
19	A	G1	5305-99-122-4911 ... SCREW, MACHINE, metric, steel, hex hd, Zn coated, M10 x 30 mm lg		6	

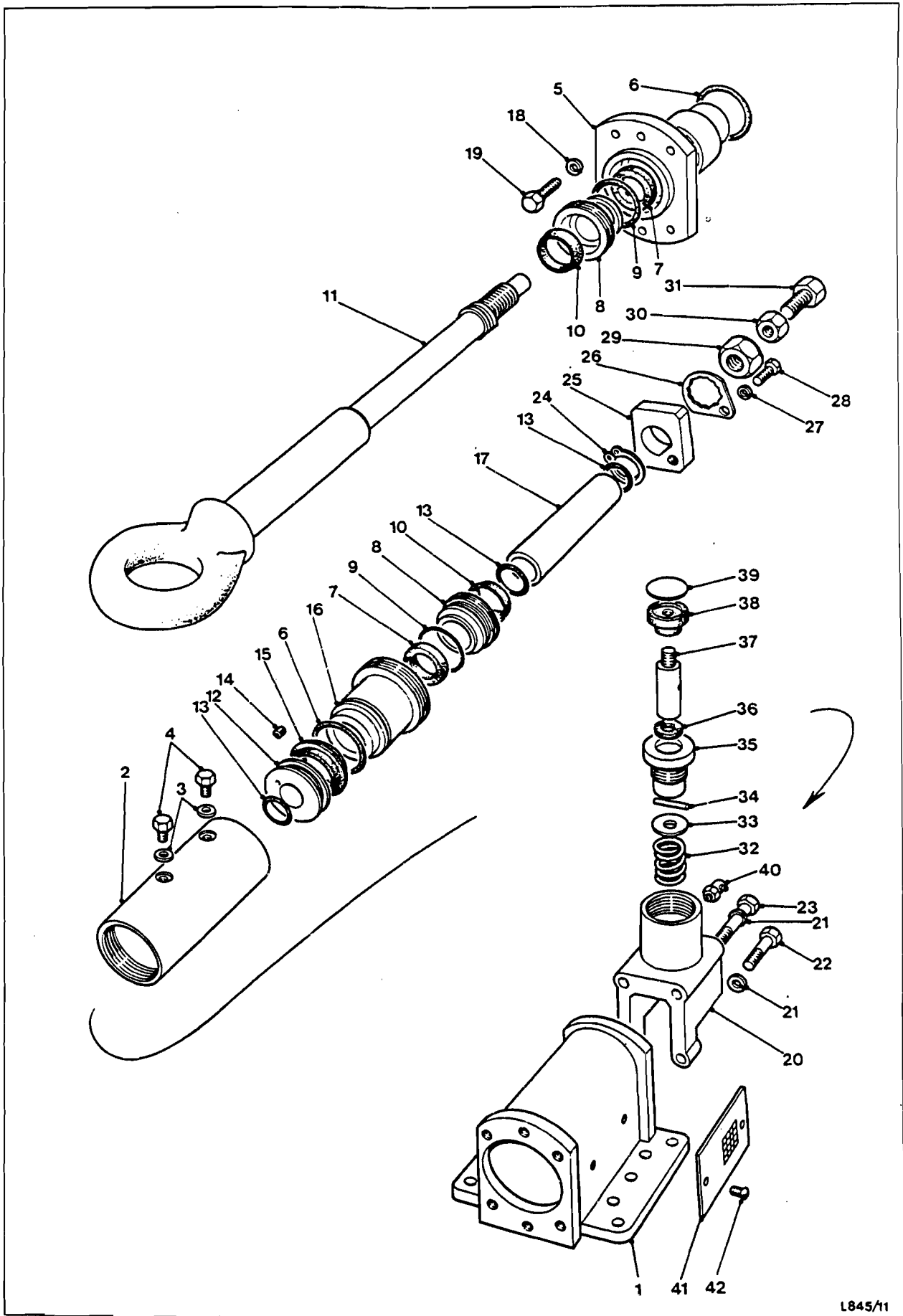


L845/11

Fig.9 Hydraulic damper and draft eye



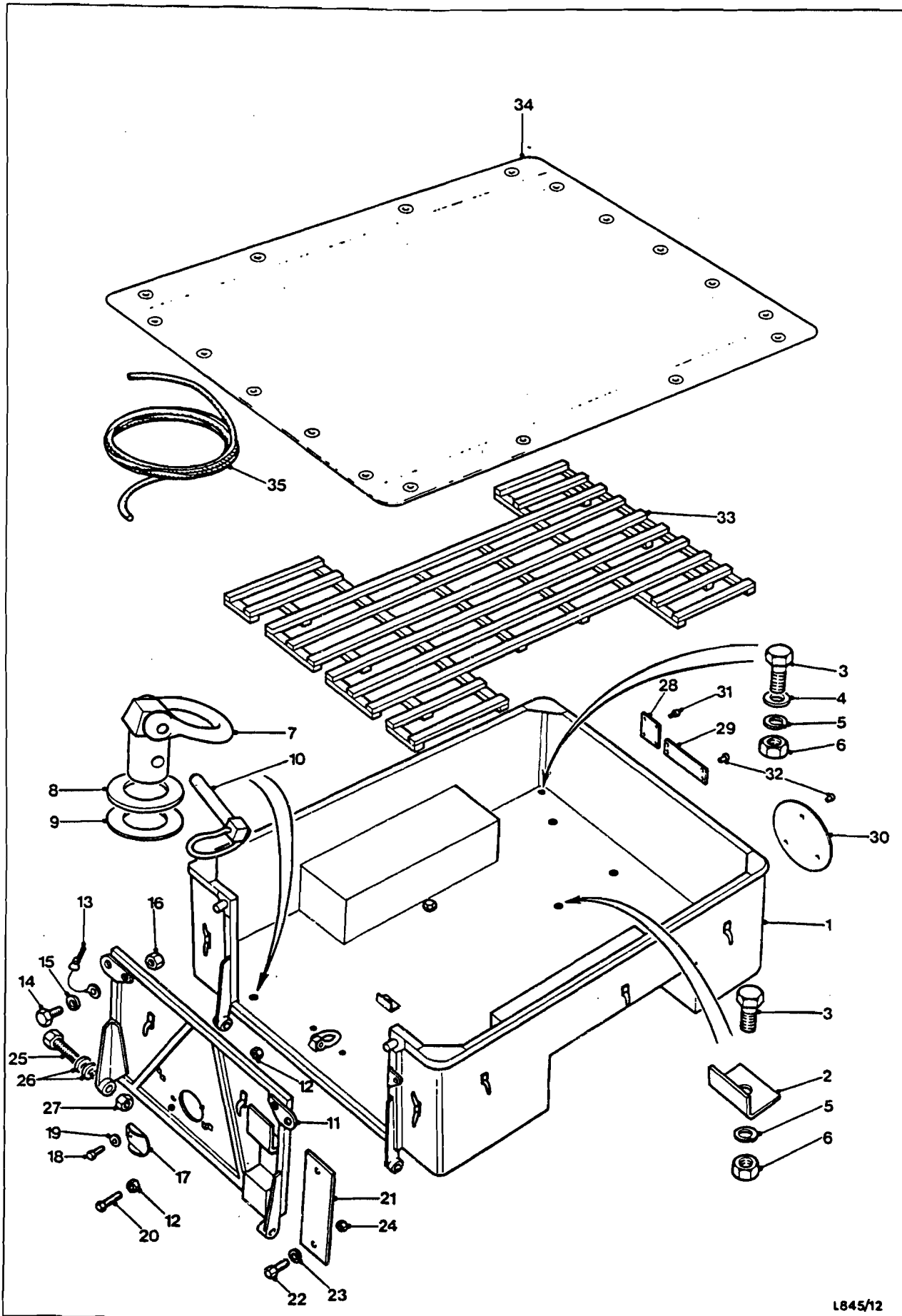
FIG ITEM	MAN.CODE NAVY-N ARMY-A RAF-R	NATO STOCK NUMBER	ITEM NAME AND DESCRIPTION	PART No./ DRAWING No.	No. OFF	ANNOTATIONS
9-			TRAILER, CARGO, 3/4 TONNE - contd . HANDBRAKE AND OVERRUN ASSEMBLY - contd .. DAMPER, ASSEMBLY, OVERRUN - contd			
20	A	9BTR 2540-99-768-4483	... STOP ASSEMBLY, REVERSING	9904-0635- 22001	1	
21	A	G1 5310-99-137-9231	... WASHER, LOCK, steel, single coll, Zn coated, M8	9232-0800- 00004	4	
22	A	G1 5305-99-122-5367	... SCREW, MACHINE, metric, steel, hex hd, Zn coated, M8 x 25 mm lg	9202-0812- 00003		
23	A	G1 5306-99-122-5260	... BOLT, MACHINE, metric, steel, hex hd, Zn coated, M8 x 75 mm lg		2	
24	A	6MT2 5365-99-910-8244	... RING, RETAINING, steel, ext, phosphated, 30 mm	1400-30M	1	
25		NP	... WASHER, ANTI-ROLL	9904-0635- 07001	1	
26	A	9BTR 5315-99-139-7465	... WASHER, LOCK, steel, Cd plated, 52.0 mm w x 62.0 mm lg x 2.03 mm thk	9904-0635- 07002	1	
27	A	G1 5310-99-135-9301	... WASHER, LOCK, steel, single coll, Cd plated, M6		1	
28	A	G1 5305-99-122-5359	... SCREW, MACHINE, metric, steel, hex hd, Zn coated, M6 x 12 mm lg		1	
29	A	9BTR 2540-99-831-9836	... NUT, SPECIAL, metric, steel, Cd plated, M30	9904-0635- 04001	1	
30	A	G1 5310-99-941-0908	... NUT, PLAIN, HEXAGON, UNF, steel, Zn coated, 5/8 in.		1	
31	A	9BTR 5306-99-810-0709	... BOLT, MACHINE, UNF, steel, crowned hex hd, Zn coated, 5/8 in. x 2-1/8 in. lg		1	
32	A	6MT1 5630-99-831-9845	... SPRING, HELICAL, COMPRESSION, steel, 7/8 in. od x 1-1/4 in. lg	303610	1	)Flexo )Steels Ltd
33	A	9BTR 3120-99-831-9837	... WASHER, THRUST, steel, Cd plated, 18.20 mm ld x 24 mm od x 1.5 mm thk	9904-0635- 07003	1	
34	A	G1 5315-99-126-5351	... PIN, SPRING, steel, 4 mm x 32 mm lg		1	
35		NP	... CAP PLUNGER	9904-0635- 11001	1	
36	A	6MT1 2530-99-831-9844	... RING, WIPER, synthetic rubber, 18 mm id x 26 mm od x 6 mm h	WM018026	1	)Hall and )Hall Ltd
37	A	9BTR 2540-99-831-9835	... PLUNGER, steel, Cr plated, 18 mm dia x 86 mm lg	9904-0635- 10001	1	
NI	A	G1 5310-99-138-8379	... WASHER, LOCK, steel, M6		1	



L845/11

Fig.9 Hydraulic damper and draft eye

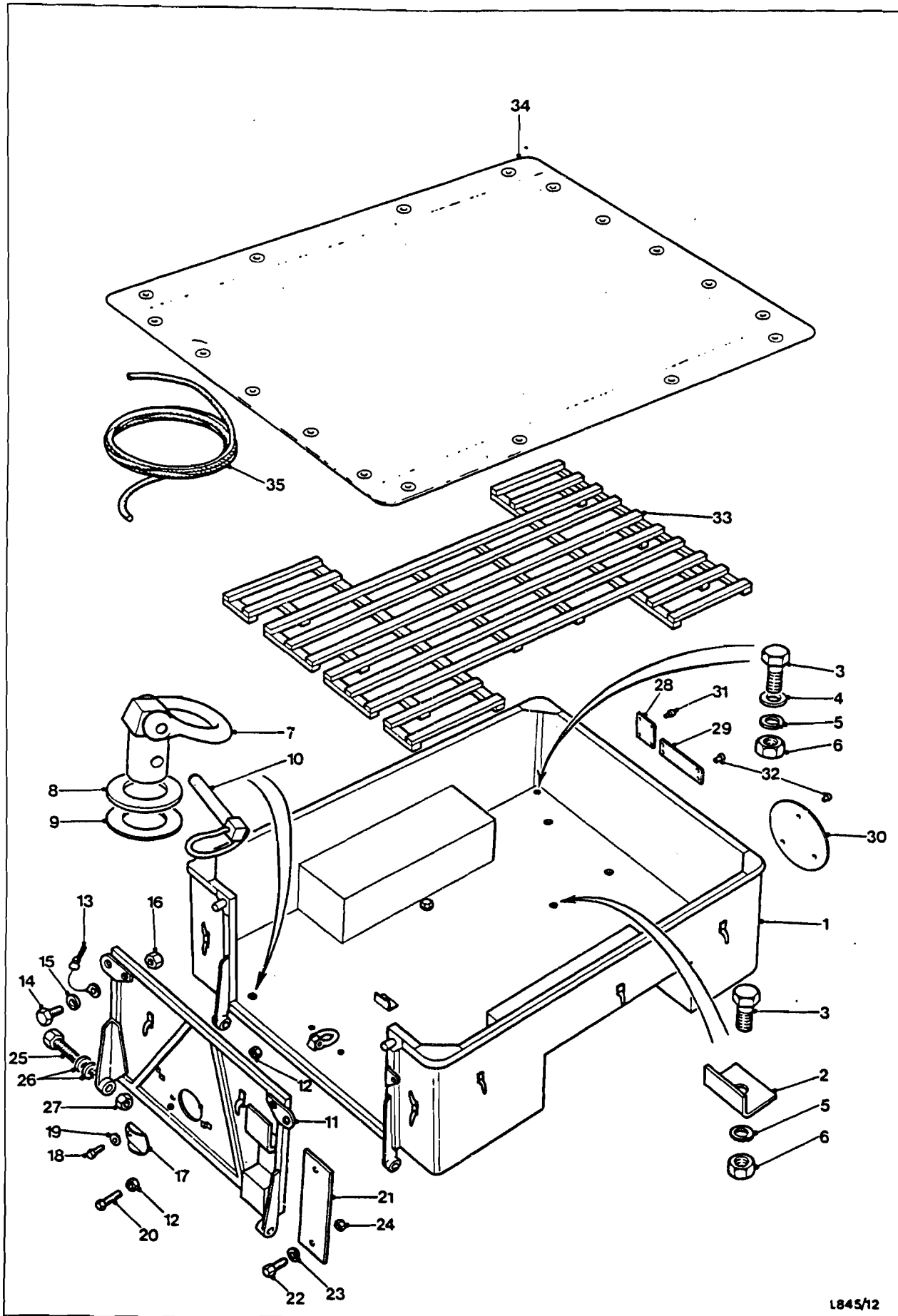
FIG ITEM	MAN.CODE NAVY-N ARMY-A RAF-R	NATO STOCK NUMBER	ITEM NAME AND DESCRIPTION	PART No./ DRAWING No.	No. OFF	ANNOTATIONS
9-			TRAILER, CARGO, 3/4 TONNE, contd . HANDBRAKE AND OVERRUN ASSEMBLY - contd .. DAMPER HYDRAULIC TOWBAR - contd			
38	A	9BTR	5310-99-831-9838 ... HANDNUT, metric, steel, 10 mm	9904-0635- 04002	1	
39		NP	... LABEL HANDNUT	9904-0635- 03004	1	
40	A	6MT1	4730-99-943-9383 ... LUBRICATING NIPPLE, angle type, BSP, 1/8 in.		1	
41		NP	... PLATE MODIFICATION RECORD	9904-0635- 03002	1	
42		NP	... SCREW, DRIVE	9210-0000- 00002	2	
NI	A	G1	5305-99-122-3353 ... SCREW, MACHINE, iso metric, steel, hex hd, 8 mm x 1.25 mm lg		2	
NI	A	G1	5306-99-124-3605 ... BOLT, MACHINE, iso metric, steel, hex hd, 8 mm x 1.25 mm lg		2	
NI	A	G1	5310-99-208-6459 ... WASHER, LOCK, split helical ring, steel, 10 mm		6	
NI	A	9BTR	2540-99-256-0244 .. DAMPER ASSEMBLY, OVERRUN, c/w eye, type MH27	FV2124172	1	
NI	A	9BTR	2540-99-700-2237 ... DAMPER, gas, 185 mm lg compressed x 245 mm lg extended	H43380000200	1	
NI	A	9BTR	5340-99-350-8213 ... BELLOWS, protection	D1123/2	1	
NI	A	W2	5340-99-782-3428 ... STRAP, retaining steel	H00391000402	1	
NI	A	9BTR	2540-99-630-1959 ... STRAP, steel	H00391000405	1	
NI	A	9BTR	5315-99-811-3950 ... PIN, GROOVED, HEADED, steel	H46811008900	1	
NI	A	9BTR	5365-99-304-1212 ... CIRCLIP	M60140001241	1	
NI	A	9BTR	2540-99-299-8148 ... DRAWTUBE AND EYE ASSEMBLY	H46120000901	1	
NI	A	9BTR	5315-99-700-2238 ... PIN, GROOVED, HEADED	H46375008200	1	
NI	A	9BTR	5365-99-762-1597 ... CIRCLIP	M60140002041	1	
NI	A	9BTR	5305-99-942-1443 ... SCREW, MACHINE, iso metric, steel, domed hex hd, Cd plated M16 x 38 mm lg	H46705008900	1	
NI	A	G1	5310-99-136-4076 ... NUT, PLAIN, HEXAGON, M16		1	
NI	A	9BTR	2540-99-299-8149 ... STOP, REV ASSEMBLY	H46137000900	1	
NI	A	9BTR	5306-99-075-0144 ... SPRING, HELICAL, COMPRESSION	H46550058200	1	
NI	A	9BTR	9905-99-214-5485 ... PLATE, INSTRUCTION warning fixed eye	H00850330905	1	
NI	A	9BTR	9905-99-700-2239 ... PLATE, IDENTIFICATION overrun damper type MH27	H47850330900	1	



L845/12

Fig. 10 Body

FIG ITEM	MAN.CODE NAVY-N ARMY-A RAF-R	NATO STOCK NUMBER	ITEM NAME AND DESCRIPTION	PART No./ DRAWING No.	No. OFF	ANNOTATIONS
10-			TRAILER, CARGO, 3/4 TONNE - contd			
1		NP	.. TRAILER BODY ASSEMBLY	FV861721	1	
2		NP	.. LOCATION STRIP, L shape	FV861739	A/R	Cut to length
3	A	G1	5305-99-941-0526 .. SCREW, MACHINE, UNF, steel, hex hd, Zn coated, 5/16 in. x 7/8 in. lg		8	
4	A	Z2	5310-99-941-8386 .. WASHER, FLAT, steel, Zn coated, 5/16 in.		6	
5	A	G1	5310-99-941-6655 .. WASHER, LOCK, steel, single coll, sq sect., 5/16 in.		8	
6	A	G1	5310-99-941-0925 .. NUT, PLAIN, HEXAGON, UNF, steel, Zn coated, 5/16 in.		8	
7	A	6MT13	2540-99-812-9342 .. SHACKLE ASSEMBLY	FV702033	6	
8	A	G1	5310-99-432-2284 .. WASHER, FLAT, steel, Cd plated, heavy gauge, 1 in.		6	
9	A	G1	5310-99-941-6747 .. WASHER, FLAT, steel, Cd plated, light gauge, 1 in.		6	
10	A	G1	5315-99-203-8739 .. PIN, SPRING, steel		6	
11	A	9BTR	2510-99-830-6791 .. TAILGATE ASSEMBLY	FV861726	1	
12	A	G1	5310-99-710-6980 ... NUT, SELF-LOCKING, UNF, steel, hex, metal, Cd plated, 1/4 in.		2	
13	A	9BTR	2540-99-831-9830 .. PIN AND RING ASSEMBLY	FV861978	2	
14	A	G1	5306-99-941-6190 .. SCREW, MACHINE, UNF, steel, hex hd, Cd plated, no. 10 x 1/2 in. lg		2	
15	A	G1	5310-99-941-6653 .. WASHER, LOCK, steel, single coil, sq sect., 3/16 in.		2	
16	A	G1	5310-99-941-2419 .. NUT, PLAIN, HEXAGON, UNF, steel, Cd plated, no. 10		2	
17	A	NP	.. CLOSURE PLATE	FV746831	1	
18	A	G1	5305-99-941-0512 .. SCREW, MACHINE, UNF, steel, hex hd, Zn coated, 1/4 in. x 5/8 in.		1	
19	A	G1	5310-99-134-6098 .. WASHER, FLAT, steel, Zn coated, 1/4 in.		1	
20	A	G1	5305-99-941-0279 .. SCREW, MACHINE, UNF, steel, hex hd, Zn coated, 1.4 in. x 7/8 in. lg		1	
21	A	NP	.. NUMBER PLATE	FV607197	1	
22	A	G1	5305-99-941-0513 .. SCREW, MACHINE, UNF, steel, hex hd, Zn coated, 1/4 in. x 3/4 in. lg		2	
23	A	G1	5310-99-941-6654 .. WASHER, LOCK, steel, single, coll, sq sect., Zn coated, 1/4 in.		2	
24	A	G1	5310-99-941-6653 .. NUT, PLAIN, HEXAGON, UNF, steel, Zn coated, 1/4 in.		2	
25	A	G1	5306-99-941-0316 .. BOLT, MACHINE, UNF, steel, hex hd, Zn coated, 3/8 in. x 2-1/4 in.		2	
26	A	G1	5310-99-941-7948 .. WASHER, FLAT, steel, 3/8 in.		4	



L845/12

Fig. 10 Body

FIG ITEM	MAN.CODE NAVY-N ARMY-A RAF-R	NATO STOCK NUMBER	ITEM NAME AND DESCRIPTION	PART No./ DRAWING No.	No. OFF	ANNOTATIONS
10-			TRAILER, CARGO, 3/4 TONNE - contd . TRAILER BODY ASSEMBLY - contd			
27	A G1	5310-99-943-4299	.. PIN AND RING ASSEMBLY, hex hd, nylon insert, 3/8 in.		2	
28	A 6MT1	9905-99-901-3287	.. PLATE, MODIFICATION RECORD	FV133030	1	
29		NP	.. PLATE, INSCRIPTION	FV130671	1	
30		NP	.. PLATE, BRIDGE	FV7773	1	
31	A G1	5320-99-122-1196	.. RIVET, steel, 1/16 in. x 1/4 in. lg		4	
32	A G1	5320-99-437-0983	.. RIVET, steel, 1/8 in. x 1/4 in. lg		7	
33	A 9BTR	2590-99-830-6793	.. DUCK BOARD	FV861740	1	
34	A 9BTR	2590-99-830-6792	.. COVER, CANVAS, TRAILER	FV861727	1	
35	A H2	4020-99-942-5040	... ROPE, SISAL, 5/16 in. x 30 ft lg		A/R)	Bulk order by footage

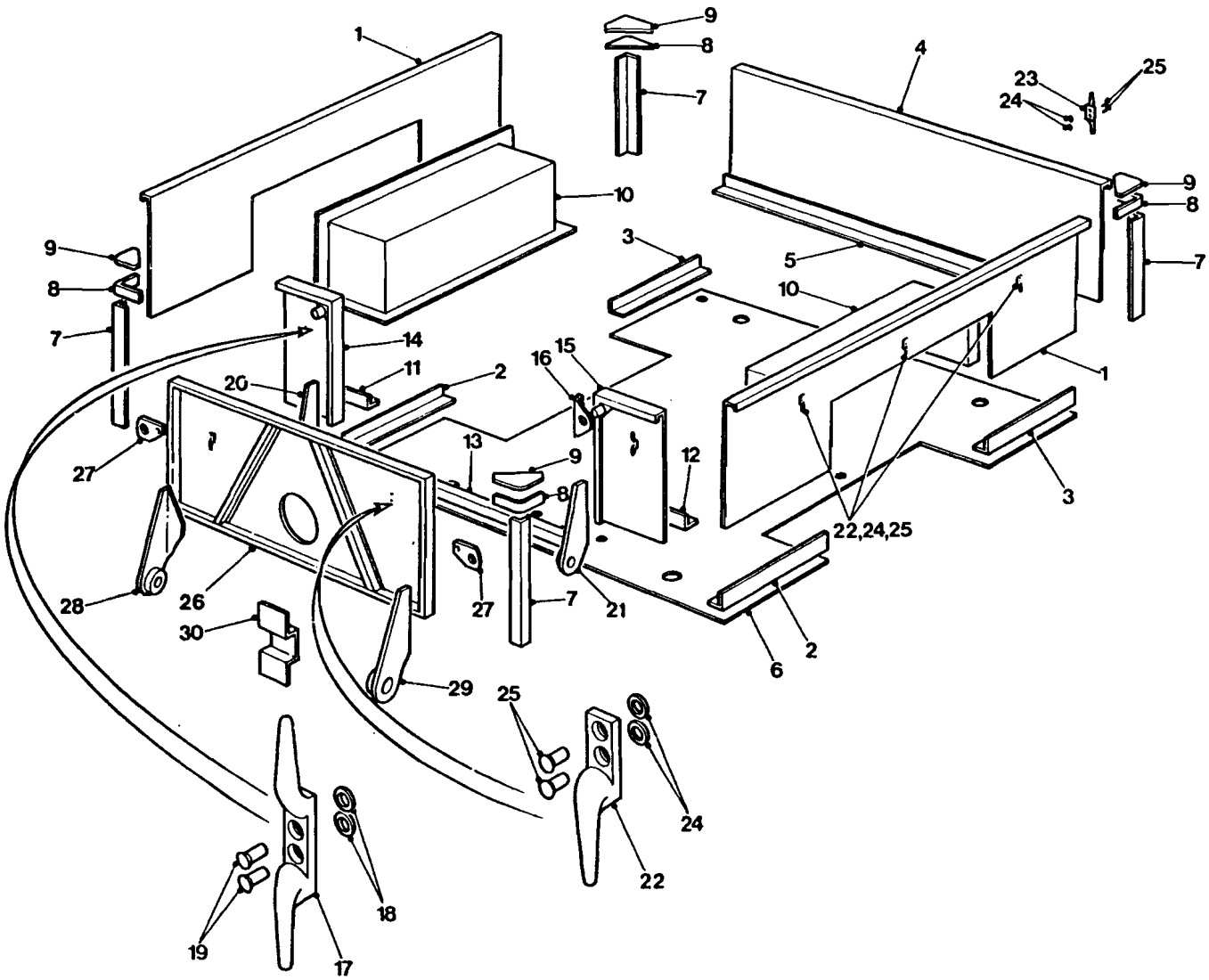


Fig. 11 Body sections



FIG ITEM	MAN.CODE NAVY-N ARMY-A RAF-R	NATO STOCK NUMBER	ITEM NAME AND DESCRIPTION	PART No./ DRAWING No.	No. OFF	ANNOTATIONS
11-			TRAILER, CARGO, 3/4 TONNE - contd . TRAILER BODY ASSEMBLY - contd			)Welded )sections
1		NP	.. PANEL, SIDE	FV861724	2	
2		NP	.. ANGLE, front	FV861733	2	
3		NP	.. ANGLE, rear	FV861732	2	
4		NP	.. HEADBOARD	FV861723	1	
5		NP	.. ANGLE, headboard	FV861731	1	
6		NP	.. PANEL, FLOOR	FV861730	1	
7		NP	.. ANGLE, corner	FV861736	4	
8		NP	.. CORNER STRIP	FV861738	4	
9		NP	.. GUSSET	FV861737	4	
10		NP	.. MUDWING	FV861729	2	
11		NP	.. ANGLE, rear lh	FV861734	1	
12		NP	.. ANGLE, rear rh	FV861735	1	
NI		NP	.. REAR PANELS, lh and rh	FV861725	1	
13		NP	... REAR RAIL	FV861750	1	
14		NP	... PANEL ASSEMBLU, lh	FV861746	1	
15		NP	... PANEL ASSEMBLY, rh	FV861747	1	
16		NP	.... BRACKET, LAMP, REAR	FV861759	1	
17	A	6MT13 5340-99-804-7030	... CLEAT, ROPE, double		2	
18	A	G1 5310-99-710-6980	... WASHER, FLAT, steel, Zn coated, 1/4 in.		4	
19	A	G1 5320-99-120-3878	... RIVET, SOLID, steel, snap hd, 1/4 in. x 5/8 in. lg		4	
20		NP	... HINGE PLATE ASSEMBLY, lh	FV666423	1	
21		NP	... HINGE PLATE ASSEMBLY, rh	FV666424	1	
22	A	6MT13 5340-99-821-1372	.. CLEAT ROPE, single		8	)Body side )and front
23	A	6MT13 5340-99-804-7030	.. CLEAT ROPE, double		2	)Body )front
24	A	G1 5310-99-710-6980	.. WASHER, FLAT, 1/4 in.		20	
25	A	G1 5320-99-120-3878	.. RIVET, SOLID, steel, snap hd, 1/4 in. x 5/8 in. lg		20	
26	A	9BTR 2510-99-830-6791	.. TAILGATE ASSEMBLY	FV861726	1	
27		NP	... CATCH BRACKET	FV861771	2	
28		NP	... HINGE BRACKET ASSEMBLY, lh	FV666421	1	
29		NP	... HINGE BRACKET ASSEMBLY, rh	FV666422	1	
30		NP	... PLATE SUPPORT	FV861770	1	
NI	A	G1 5306-99-941-0316	.. BOLT, MACHINE, UNF, steel, hex hd, Zn plated, 3/8 in. x 2-1/4 in. lg		2	Tool steel
NI	A	G1 5305-99-941-0526	.. SCREW, MACHINE, UNF, steel, hex hd, Zn plated, 5/16 in. x 7/8 in. lg		8	
NI	A	G1 5310-99-203-8739	.. PIN, spring, steel, 3/8 in. dia x 1-1/2 in. lg		6	
NI	A	G1 5310-99-941-7948	.. WASHER, FLAT, steel, Cd plated, 3/8 in.		6	
NI	A	G1 5310-99-432-2284	.. WASHER, FLAT, steel, 1 in.		6	8 SWG
NI	A	G1 5310-99-941-6747	.. WASHER, FLAT, steel, Cd plated 1 in.		6	8 SWG

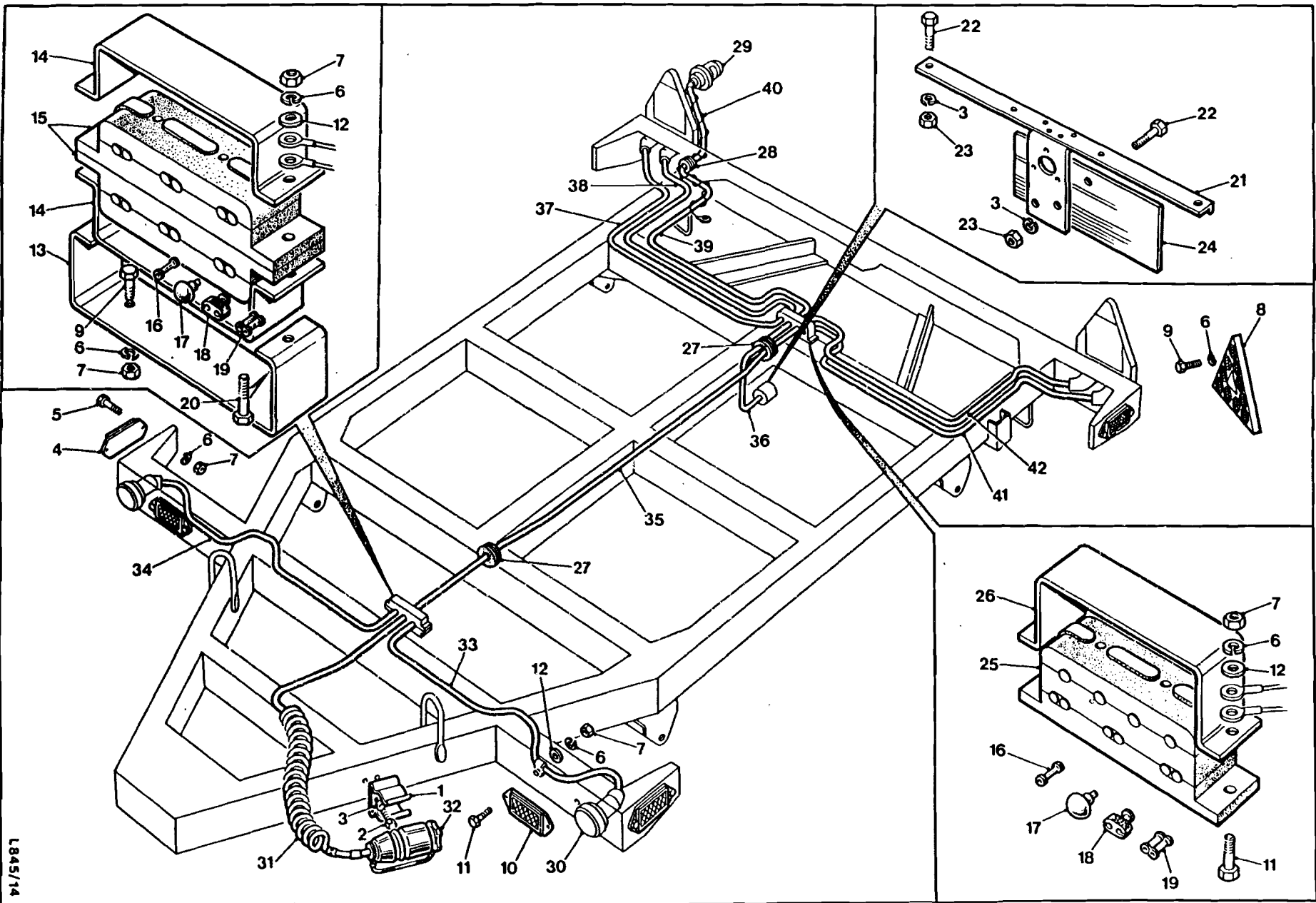
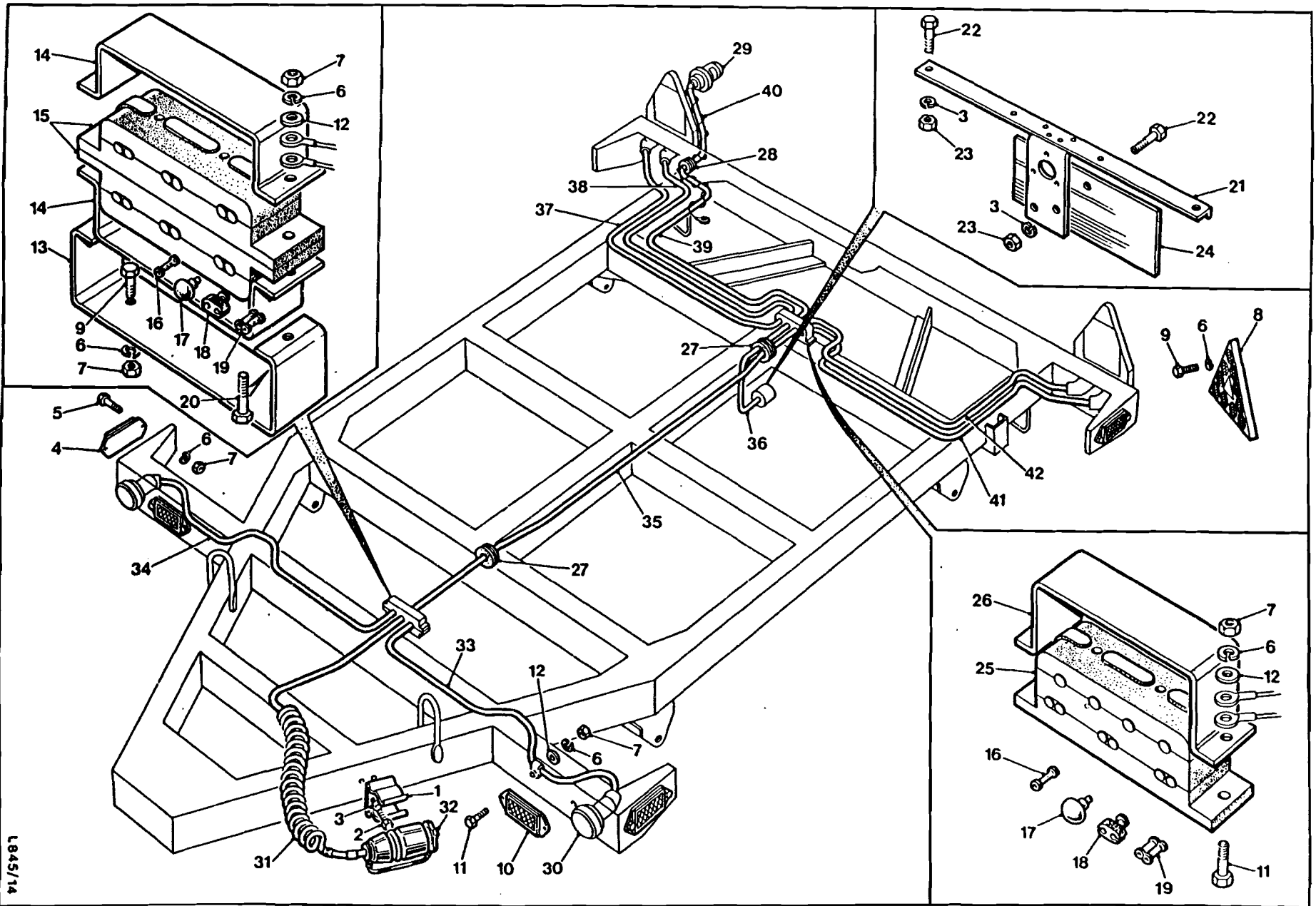


Fig.12 Electrical wiring

L845/14

FIG ITEM	MAN.CODE NAVY-N ARMY-A RAF-R	NATO STOCK NUMBER	ITEM NAME AND DESCRIPTION	PART No./ DRAWING No.	No. OFF	ANNOTATIONS
12-			TRAILER, CARGO, 3/4 TONNE - contd			
1	A	9BTR	5340-99-874-2272 .. ELECTRICAL SYSTEM	FV861718	1	
			.. CLIP, SPRING, TRAILER SOCKET	FV556226	1	
NI	A	6MT3	5340-99-810-2181 .. CLAMP, LOOP, NYLON, 7/16 in. dia			
			grip x 13/64 in. dia fixing	FV653524	26	
2	A	G1	5305-99-941-0511 .. SCREW, MACHINE, UNF, steel,			
			hex hd, Zn coated, 1/4 in. x			
			1/2 in. lg		2	
3	A	G1	5310-99-941-6654 .. WASHER, LOCK, steel, single			
			coil, sq sect., 1/4 in.		6	
4	A	6MT3	9905-99-825-9593 .. REFLECTOR, INDICATING,			
			CLEARANCE, amber	FV817186	4	
5	A	G1	5305-99-941-8894 .. SCREW, MACHINE, UNF, steel,			
			hex hd, Zn coated, no. 10 x			
			3/4 in. lg		8	
6	A	G1	5310-99-941-6653 .. WASHER, LOCK, steel, single			
			coil, sq. sect., 3/16 in.		30	
7	A	G1	5310-99-941-2419 .. NUT, PLAIN, HEXAGON, UNF, steel,			
			Zn coated, no. 10		18	
8	A	6MT3	9905-99-206-6267 .. REFLECTOR, INDICATING,			
			CLEARANCE, trailer plate	LAB781	2	
9	A	G1	5305-99-941-6190 .. SCREW, MACHINE, UNF, steel,			
			hex hd, Zn coated, no. 10 x			
			1/2 in. lg		14	
10	A	6MT3	9905-99-825-9594 .. REFLECTOR, INDICATING,			
			CLEARANCE, clear	FV817187	2	
11	A	G1	5305-99-940-8895 .. SCREW, MACHINE, UNF, steel,			
			hex hd, Zn coated, no. 10 x			
			1 in. lg		6	
12	A	G1	5310-99-954-7406 .. WASHER, FLAT, steel, Zn coated,			
			0.202 in. ld		4	
15	A	6MT4	5935-99-805-2864 .. CLAMP, ELECTRICAL SOCKET	FV159941	2	
16	A	6MT4	5935-99-805-0220 .. SOCKET, ELECTRICAL	FV169423	15	
17	A	6MT4	5935-99-805-0224 .. INSERT, RESILIENT, synthetic			
			rubber, 1/2 in. dia, 9/16 in. lg	FV169429	8	
18	A	6MT4	5940-99-805-3090 .. ADAPTOR, CLAMP, TWIN			
			CONNECTOR	FV694863	6	
19	A	6MT4	5935-99-805-0221 .. SOCKET, ELECTRICAL, free			
			rubber, 2 poles, female shell	FV169424	3	
20	A	G1	5305-99-941-8896 .. SCREW, MACHINE, UNF, steel,			
			hex hd, Zn coated, no. 10 x			
			1-1/2 in. lg		2	
21	A	9BTR	2590-99-832-1587 .. BRACKET, CONVOY PLATE, steel	FV861714	1	
22	A	G1	5305-99-941-0513 .. SCREW, MACHINE, UNF, steel,			
			Zn coated, 1/4 in. x 3/4 in. lg		2	
23	A	G1	5310-99-941-0924 .. NUT, PLAIN, HEXAGON, UNF, steel,			
			Zn coated, 1/4 in.		4	
25	A	6MT4	5935-99-802-6456 .. CLAMP, TERMINAL CONNECTOR	FV229569	1	
27	A	H9	5325-99-941-3499 .. GROMMET, RUBBER, 1-1/2 in. dia,			
			5/32 in. slot		2	



L845/14

Fig.12 Electrical wiring

FIG ITEM	MAN.CODE NAVY-N ARMY-A RAF-R	NATO STOCK NUMBER	ITEM NAME AND DESCRIPTION	PART No./ DRAWING No.	No. OFF	ANNOTATIONS
12-			TRAILER, CARGO, 3/4 TONNE, - contd . ELECTRICAL SYSTEM - contd			
28	A	H9	5325-99-942-3466 .. GROMMET, RUBBER, 1 in. dia,		1	)Harness
29	A	6MT3	6220-99-803-2620 .. LIGHT, PANEL, convoy and number plates	FV14933	2	)See )Fig 13
NI	A	6MT3	6220-99-823-9793 .. TAILLIGHT-STOP LIGHT, no. 3, Mk 6	FV760632	2	)
NI	A	6MT3	6220-99-823-9794 .. TURNLIGHT, VEHICULAR, no. 3, Mk 4, 12/24 V, 21 W, rear	FV760733	2	)See )Fig 14
30	A	6MT3	6220-99-828-6034 .. SIDELIGHT, no. 3, Mk 7	FV817224	2	)
31	A	6MT4	2590-99-832-1576 .. WIRING HARNESS, 12 conductors	FV324385/1	1	)Trailer )lead
NI	A	Z32	5935-00-059-2841 .. CONNECTOR, FREE, ELECTRICAL, straight shape w/cover, 12 contacts, 28 V	MS75020-1	1	
32	A	Z32	5935-99-117-9230 .. PLUG, ELECTRICAL, c/w dust cover	FV596887	1	
33	A	6MT4	2590-99-832-1582 .. WIRING HARNESS, 2 conductors, 4ft 4 in. lg	FV563655/ 78N	1	)Sidelight )lh
34	A	6MT4	2590-99-832-1583 .. WIRING HARNESS, 2 conductors, 4ft 4 in. lg	FV563655/ 258N	1	)Sidelight )rh
35	A	6MT4	2590-99-832-1577 .. WIRING HARNESS, 3 conductors, 5ft 2 in. lg	FV563586/2N	1	)Connector )block/ )connector )block
36	A	6MT4	2590-99-832-1579 .. CABLE AND CONDUIT ASSEMBLY, ELECTRICAL, flex, 1 conductor, 1ft 6 in. lg	FV563654/3N	1	) )Convoy )light
37	A	6MT4	2590-99-832-1585 .. WIRING HARNESS, 2 conductors, 5ft 2 in. lg	FV563656/83N	1	)Stop and )tail rh
38	A	6MT4	2590-99-832-1581 .. WIRING HARNESS, 2 conductors, 4ft 8 in. lg	FV563655/ 200N	1	)Turnlight )rh
39	A	6MT4	2590-99-832-1578 .. CABLE AND CONDUIT ASSEMBLY ELECTRICAL, flex, 1 conductor, 5ft lg	FV563654/84N	1	) )Number- )plate
40	A	6MT4	2590-99-832-1586 .. LEAD, ELECTRICAL, 1/8 in. dia, tinned copper braid, 2 ft lg	FV166874/3		)Earth )
41	A	6MT4	2590-99-832-1584 .. WIRING HARNESS, 2 conductors, 5ft 2 in. lg	FV563656/ 23N	1	)Stop and )tail lh
42	A	6MT4	2590-99-832-1580 .. WIRING HARNESS, 2 conductors, 4ft 8 in. lg	FV563655/ 20N	1	)Turnlight )lh
NI	A	6MT4	5340-99-810-2181 .. CLAMP, loop, nylon, 7/16 in. dia grip, single clip	FV653524	8	)
NI	A	G1	5305-99-941-6190 .. SCREW, MACHINE, UNF, steel, hex hd, Zn coated, no. 10 x 1/2 in. lg		6	)Sidelight )and )number
NI	A	G1	5310-99-941-6653 .. WASHER, LOCK, steel, single coil, sq sect., 3/16 in.		6	)plate )harnesses
NI	A	G1	5310-99-954-7406 .. WASHER, FLAT, steel, Zn coated, 0.202 in. id		6	



FIG ITEM	MAN.CODE NAVY-N ARMY-A RAF-R	NATO STOCK NUMBER	ITEM NAME AND DESCRIPTION	PART No./ DRAWING No.	No. OFF	ANNOTATIONS
12-			TRAILER, CARGO, 3/4 TONNE - contd			
			ELECTRICAL SYSTEM - contd			
NI	A	6MT4	5340-99-810-2181 .. CLAMP, LOOP, nylon, 7/16 in. dia grip, double clip	FV653524	12	)
NI	A	G1	5305-99-941-6190 .. SCREW, MACHINE, UNF, steel, hex hd, Zn coated, no. 10 x 1/2 in. lg		6	)Turn and rear light
NI	A	G1	5310-99-941-6653 .. WASHER, LOCK, steel, single coil, sq sect., 3/16 in.		6	)harnesses
NI	A	G1	5310-99-954-7406 .. WASHER, FLAT, steel, Zn coated, 0.202 in. id		6	)
NI	A	6MT4	5340-99-810-2181 .. CLAMP, LOOP, nylon, 7/ 16 in. dia grip, treble clip	FV653524	6	)
NI	A	G1	5305-99-941-6190 .. SCREW, MACHINE, UNF, steel, hex hd, Zn coated, no. 10 x 1/2 in. lg		2	)Turn, rear and number plate
NI	A	G1	5310-99-941-6653 .. WASHER, LOCK, steel, single coil, sq sect., 3/16 in.		2	)light
NI	A	G1	5310-99-954-7406 .. WASHER, FLAT, steel, Zn coated, 0.202 in. id		2	)harnesses
NI	A	6MT4	5340-99-810-2183 .. CLAMP, LOOP, nylon, 5/8 in. dia gripm single clip	FV653526	8	)Trailer
NI	A	G1	5305-99-941-6190 .. SCREW, MACHINE, UNF, steel, hex hd, Zn coated, no. 10 x 1/2 in. lg		8	)harness and connector
NI	A	G1	5310-99-941-6653 .. WASHER, LOCK, steel, single coil, sq. sect., 3/16 in.		8	)block
NI	A	G1	5310-99-954-7406 .. WASHER, FLAT, steel, Zn coated, 0.202 in. id		8	)harness
NI	A	G1	5310-99-941-2419 .. NUT, PLAIN, HEXAGON, UNF, steel, Zn coated, no. 10		7	)
NI	A	6MT4	5340-99-832-1588 .. CLAMP, LOOP, nylon, 7/8 in. dia grip, non std, 13/64 in. dia fixing hole	FV924100	3	)
NI	A	G1	5305-99-941-8894 .. SCREW, MACHINE, UNF, steel, hex hd, Zn coated, no. 10 x 3/4 in. lg		3	)Harness to centre and cross
NI	A	G1	5310-99-941-6653 .. WASHER, LOCK, steel, single coil, sq sect., 3/16 in.		3	)beams
NI	A	G1	5310-99-941-2419 .. NUT, PLAIN, HEXAGON, UNF, steel, Zn coated, no. 10		3	)

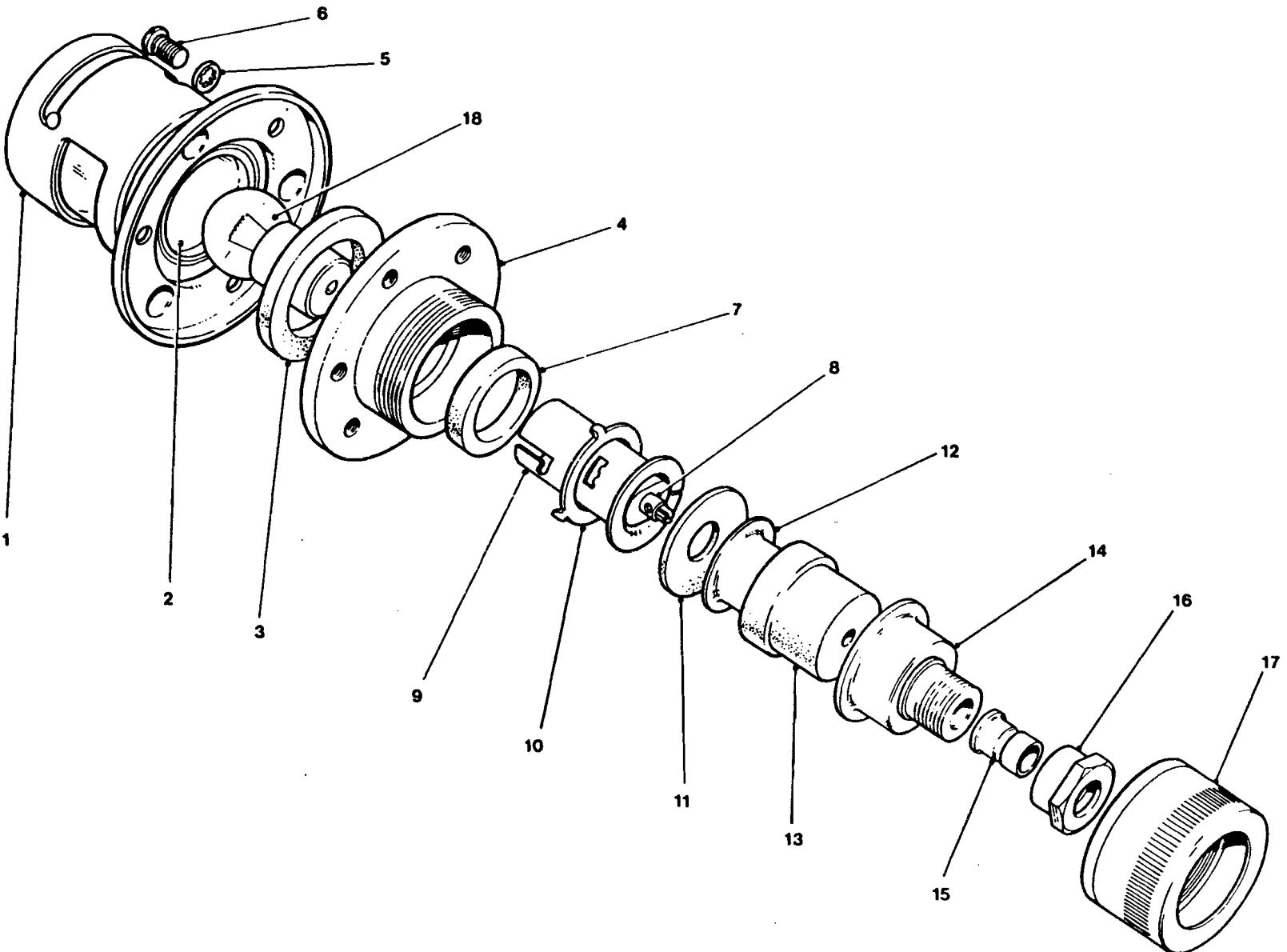


Fig.13 Panel light.

L 845/15



FIG ITEM	MAN.CODE NAVY-N ARMY-A RAF-R	NATO STOCK NUMBER	ITEM NAME AND DESCRIPTION	PART No./ DRAWING No.	No. OFF	ANNOTATIONS
13-			TRAILER, CARGO, 3/4 TONNE - contd ELECTRICAL SYSTEM - contd			
1	A	6MT3 6220-99-803-2620	.. LIGHT, PANEL	FV14933	2	)Number )plate and )convoy )lights
2	A	6MT3 6220-99-822-0283	... LENS, LIGHT, registration plate	54525875	1	
3	A	6MT3 5330-99-803-3383	... WASHER, FLAT, rubber, 0.937 in. id x 1/350 in. od x 0.187 in. thk	573053	1	
4	A	6MT3 6220-99-803-4208	... BLACKPLATE, TAILLIGHT	5730461	1	
5	A	G1 5310-99-941-9448	... WASHER, LOCK, steel, in. flat, Cd plated, no. 4 BA clip		3	
6	A	G1 5305-99-120-2004	... SCREW, MACHINE, BA, steel, Cd plated, no. 4 x 5/16 in. lg		3	
7	A	6MT3 5330-99-803-3380	... WASHER, FLAT, rubber, 0.656 in. id x 0.975 in. od x 0.187 in. thk	573042	1	
8	A	6MT3 6220-99-803-3390	... LAMPHOLDER SUBASSEMBLY	573085	1	
9	A	6MT3 6220-99-903-3158	... PLUNGER, LAMPHOLDER	552103	1	
10	A	6MT3 6220-99-803-3387	... RING, EARTHING	573066	1	
11	A	6MT3 5330-99-803-3388	... WASHER, FLAT, rubber, 3/8 in. id x 1 in. od x 15/32 in. thk	573074	1	
12	A	6MT3 6220-99-803-3429	.. INSERT, RUBBER BUSHING	574189	1	
13	A	6MT3 5340-99-803-3420	... MOUNT, RESILIENT	573190	1	
14	A	6MT3 5975-99-803-3382	... BUSH, ELECTRICAL CONDUCTOR, steel, Zn coated	573052	1	
15	A	6MT3 5975-99-803-3389	... BUSHING, ELECTRICAL CONDUCTOR, steel, Zn coated, 1/4 in. id x 29/64 in. od x 1/2 in. lg	573075	1	
16	A	6MT3 6220-99-803-3874	... NUT, PANEL LIGHT	573049	1	
17	A	6MT3 5310-99-805-2690	... NUT, PLAIN, KNURLED	445721	1	
18	A	X5 6240-99-995-2236	.. LAMP, FILAMENT	952236	2	
NI	A	6MT4 5975-99-805-3074	.. ELBOW ASSEMBLY	806417	1	)
NI		NP	.. SPACER	744036	1	)Number
NI	A	G1 5305-99-120-5707	.. SCREW, MACHINE, UNC, steel, hex hd, Zn coated, no. 6 x 7/8 in. lg		3	)plate )light
NI	A	G1 5305-99-914-8039	.. SCREW, MACHINE, UNC, steel, hex hd, Cd plated, no. 6 x 1/2 in. lg		3	) )Convoy )light
NI	A	G1 5310-99-941-6652	.. WASHER, LOCK, steel, single coil, sq sect., no. 4 BA		6	)Number )plate and
NI	A	G1 5310-99-941-2406	.. NUT, PLAIN, HEXAGON, UNC, steel, Zn coated, no. 6		6	)convoy )lights
NI	A	G1 5305-99-941-6190	.. SCREW, MACHINE, UNF, steel, hex hd, Zn plated, no.10 x 1/2 in. lg		21	
NI	A	G1 5305-99-951-7115	.. SCREW, MACHINE, UNF, steel, hex hd, Cd plated, no, 10 x 1 in. lg		6	
NI	A	G1 5305-99-948-0922	.. SCREW, MACHINE, UNF, steel, hex hd, Cd plated, no. 10 x 1-1/2in. lg		2	

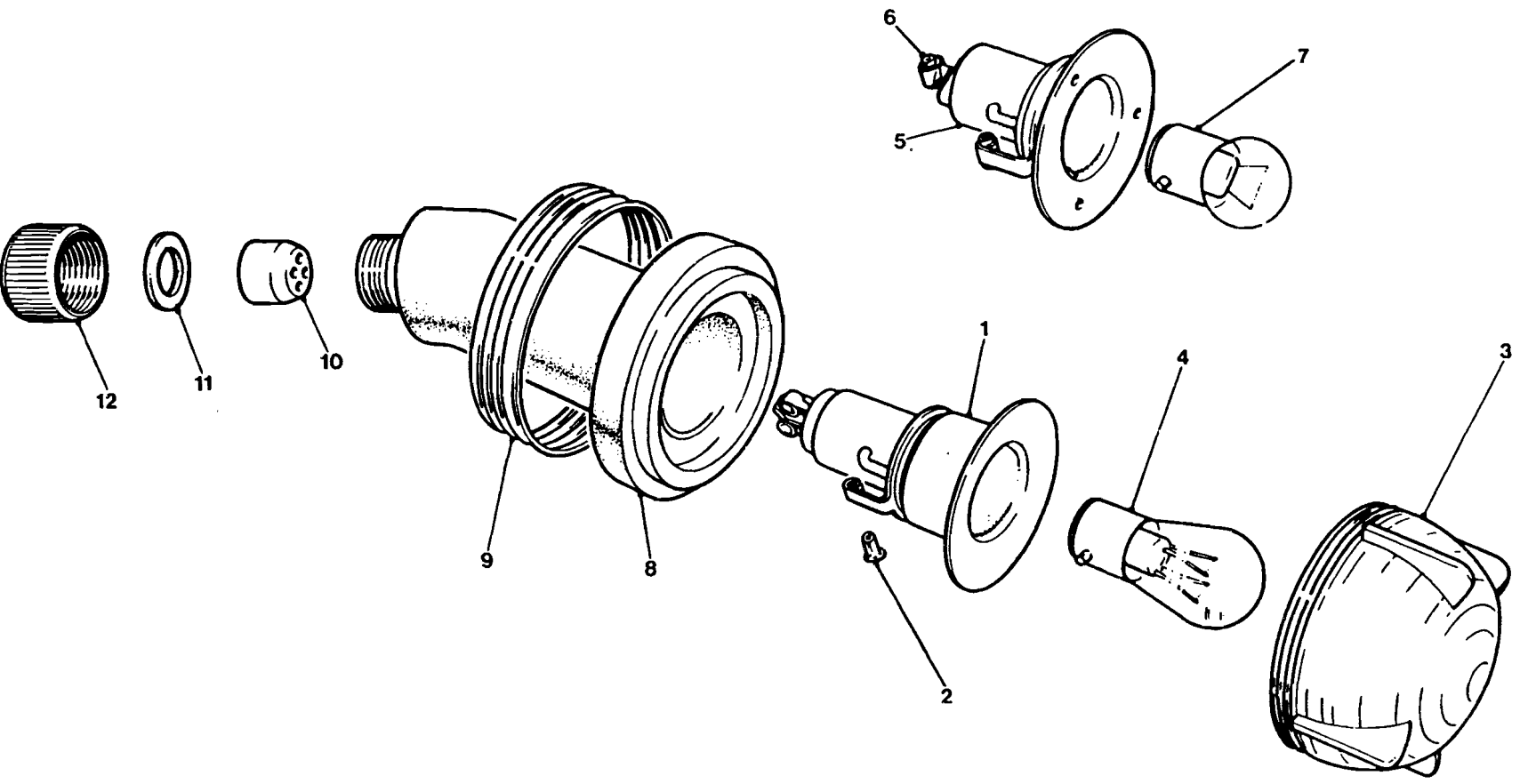


Fig. 14 Side, turn and tailight

L845/16

FIG ITEM	MAN.CODE NAVY-N ARMY-A RAF-R	NATO STOCK NUMBER	ITEM NAME AND DESCRIPTION	PART No./ DRAWING No.	No. OFF	ANNOTATIONS
14-			TRAILER, CARGO, 3/4 TONNE - contd			
			. ELECTRICAL SYSTEM - contd			
NI	A	6MT3 6220-99-823-9793	.. TAILLIGHT - STOP LIGHT, no. 3, Mk 6	FV760732	2	
1	A	6MT3 6250-99-828-2883	... LAMPHOLDER, double contact	FV694932	1	
2	A	6MT3 5940-99-803-1952	.... FERRULE, ELECTRICAL CONNECTOR, br, NP, solder type, connection, 1/2 in. lg	188818	3	) Lucas )
3	A	6MT3 6220-99-824-7089	... LENS, STOP AND TAILLIGHT, red		1	
4	A	X5 6240-99-995-3296	.. LAMP, FILAMENT, 28 V, 7W/30 W, SBC, clear	337	2	
NI	A	6MT3 6220-99-823-9794	.. TURNLIGHT, VEHICULAR, no. 3, Mk 4, 12/24 V, 21 W, rear	FV760733	2	
5	A	6MT3 6250-99-828-2884	... LAMPHOLDER, single contact	FV694937	1	
6	A	6MT3 5940-99-803-1952	.... FERRULE, ELECTRICAL CONNECTOR, br, NP, solder type connection, 1/2 in. lg	188818	2	
NI	A	6MT3 6220-99-823-9797	... LENS ASSEMBLY TURNLIGHT, rear assy	41030427	1	
NI	A	X5 6240-99-995-2902	.. LAMP, FILAMENT, PEAR SHAPED 24 V, 21 W, CAP STYLE, SCC		2	
7	A	X5 6240-99-995-3244	.. LAMP, FILAMENT, 24 V, 24 W, SCC, clear		2	
NI	A	X5 6240-99-995-3288	.. LAMP, FILAMENT STRAIGHT SIDES 24 V, 24 W	FV955487	2	
NI	A	6MT3 6220-99-828-6034	.. SIDELIGHT, no. 3, Mk 7	FV817224	2	
NI	A	6MT3 6250-99-821-8556	... LAMPHOLDER AND PLATE ASSEMBLY	FV694915	1	
NI	A	6MT3 5940-99-803-1952	.... FERRULE, ELECTRICAL CONNECTOR, br, NP, solder type connection, 1/2 in. lg	188818	2	
NI	A	6MT3 6320-99-828-6035	... LENS, SIDELIGHT, mounted	FV798047	1	
NI	A	X5 6240-99-995-9813	.. LAMP FILAMENT, 28 V, 5 W, SCC, G shape, clear		2	
			. TAILLIGHT, TURNLIGHTS AND SIDELIGHTS -			
8		NP	.. BODY, LIGHT FITTING, synthetic rubber	576203	1	
9	A	6MT3 6220-99-408-2494	.. BASE, LIGHT	576207	1	
10	A	6MT3 6220-99-821-5663	.. SEALING CONE, synthetic rubber, 0.595 in. od x 0.375 in. lg, 4 holes	FV694928	1	

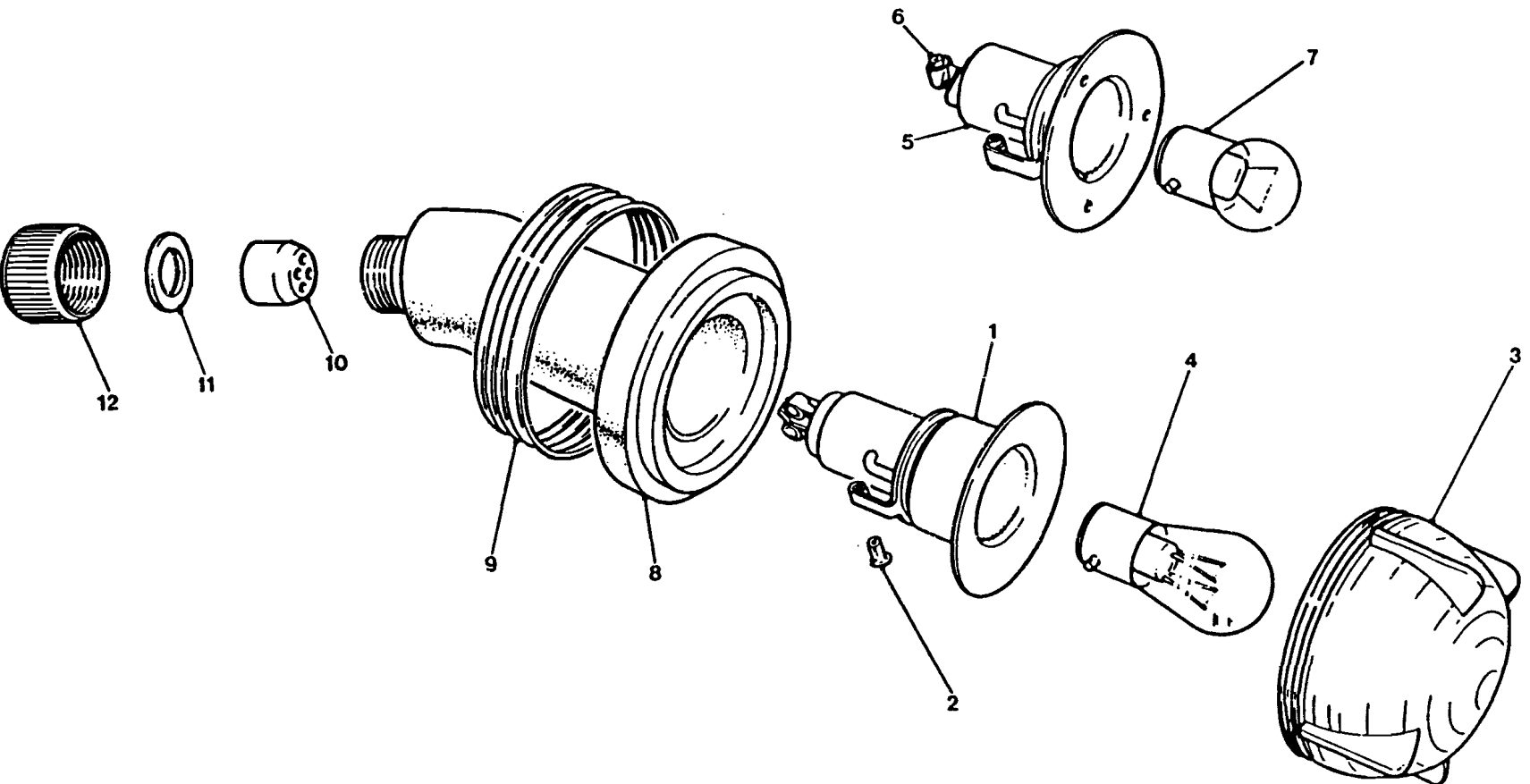


Fig. 14 Side, turn and taillight

L845/16

FIG ITEM	MAN.CODE NAVY-N ARMY-A RAF-R	NATO STOCK NUMBER	ITEM NAME AND DESCRIPTION	PART No./ DRAWING No.	No. OFF	ANNOTATIONS
14-			TRAILER, CARGO, 3/4 TONNE - contd			
11	A	6MT4	5310-99-805-6455 .. WASHER, FLAT, br, Cd plated, 7/16 in. id x 5.8 in. od x 1/16 in. thk	860774	1	
12	A	6MT3	5310-99-822-0198 .. NUT, COUPLING, Whit form, steel, 0.692 in.	54931028	1	
NI	A	G1	5305-99-914-8039 .. SCREW, MACHINE, UNC, steel, hex hd, Cd plated, no. 6 x 1/2 in. lg		18	)
NI	A	G1	5310-99-941-6652 .. WASHER, LOCK, single coil, sq sect., no. 4 BA		18	) Lights to trailer
NI	A	G1	5310-99-941-2406 .. NUT, PLAIN, HEXAGON, UNC, steel, Zn coated, no. 6		18	)
NI	A	G1	5305-99-941-0511 .. SCREW, MACHINE, UNF, steel, hex hd, Zn plated, 1/4 in. x 1/2 in. lg		3	
NI	A	G1	5305-99-941-0279 .. SCREW, MACHINE, UNF, steel, hex hd, Zn plated, 1/4 in. x 7/8 in. lg		3	
NI	A	G1	5310-99-941-6652 .. WASHER, LOCK, steel, split helical ring, 0.168 in. id		24	
NI	A	G1	5310-99-945-8431 .. NUT, PLAIN, HEXAGON, UNC, steel, Cd plated, no. 6		24	
NI	A	G1	5305-99-941-6190 .. SCREW, MACHINE, UNF, steel, hex hd, Zn plated, no.10 x 1/2 in. lg		21	
NI	A	G1	5305-99-951-7115 .. SCREW, MACHINE, UNF, steel, hex hd, Cd plated, no. 10 x 1 in. lg		6	
NI	A	G1	5305-99-948-0922 .. SCREW, MACHINE, UNF, steel, hex hd, Cd plated, no. 10 x 1-1/2 in. lg		2	
NI	A	G1	5310-99-941-8569 .. WASHER, FLAT, steel, Zp, no. 10		15	
NI	A	G1	5310-99-710-6980 .. NUT, SELF-LOCKING, DOUBLE HEXAGON, UNF, steel, Cd plated 1/4 in.		2	
NI	A	G1	5310-99-134-6098 .. WASHER, FLAT, steel, chromium plated, 1/4 in.		5	
NI	A	G1	5310-998-120- 3837 .. RIVET, SOLID STEEL BUTTON hd, 1/4 in. dia x 5/8 in. lg		28	

**CHAPTER 2-2**  
**TRAILER, CARGO, 3/4 TONNE**  
**2 WHLD (WIDE TRACK) MK II**

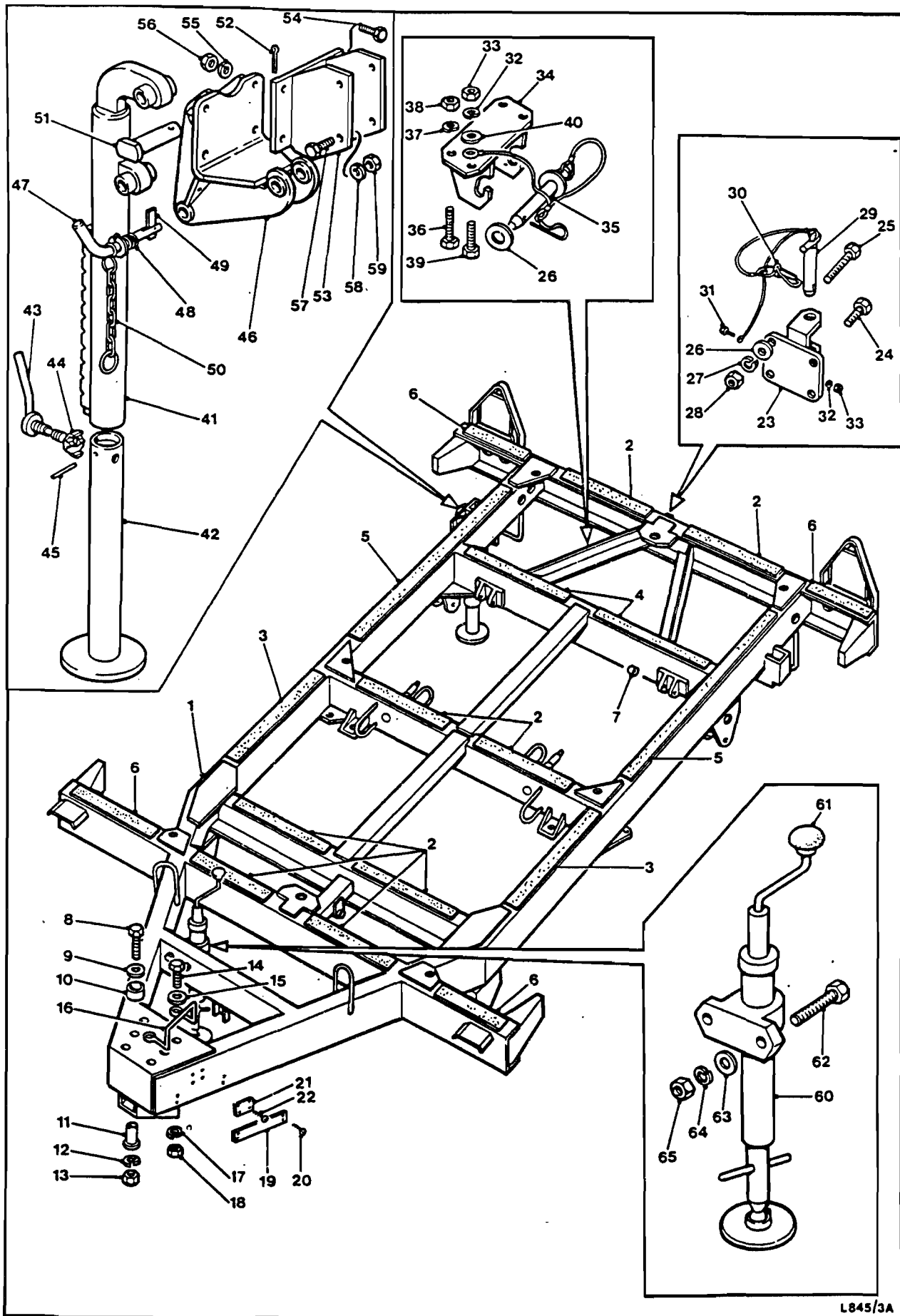


Fig.1 Chassis

FIG ITEM	MAN.CODE NAVY-N ARMY-A RAF-R	NATO STOCK NUMBER	ITEM NAME AND DESCRIPTION	PART No./ DRAWING No.	No. OFF	ANNOTATIONS
1-			TRAILER, CARGO, 3/4 TONNE - 2 whld (wide track)			)Sankey )Ltd
1	A	9AHY 2330-99-831-9820	. CHASSIS, TRAILER, welded assembly	FV861781	1	
NI		NP	. CHASSIS/BODY INTERFACE ASSEMBLY	FV861722	1	
2		NP	.. PACKING STRIP	FV861774	8	
3		NP	.. PACKING STRIP	FV861775	2	
4		NP	.. PACKING STRIP	FV861776	2	
5		NP	.. PACKING STRIP	FV861777	2	
6		NP	.. PACKING STRIP	FV861778	4	
NI	A	H1(b) 8040-99-943-0380	. ADHESIVE, bostik 1261		A/R	
7			. BUSH, OIL RETAINING, bronze, 3/8 in. ld x 5/8 in. od x 3/8 in. lg	061006	4	
8	A	G1 5306-99-941-0312	. BOLT, MACHINE, UNF, steel, hex hd, Zn coated, 3/8 in. x 1-3/8 in. lg		2	
9	A	G1 5310-99-941-7948	. WASHER, FLAT, steel, Cd plated, 3/8 in.		2	
10		NP	. SPACER	FV666681	2	
11		NP	. DOWELL, HOLLOW	FV924099	2	
12	A	G1 5310-99-941-6656	. WASHER, LOCK, single coil, 3/8 in.		2	
13	A	G1 5310-99-135-6785	. NUT, PLAIN, HEXAGON, UNF, steel, 3/8 in.		2	
14	A	G1 5306-99-120-7478	. BOLT, MACHINE, UNF, steel, 7/16 in. x 1-1/2 in. lg		4	
15	A	G1 5310-99-941-8636	. WASHER, FLAT, steel, Cd plated, 3/8 in.		4	
16		NP	. HANDLE	FV861867	1	
17	A	G1 5310-99-944-0551	. WASHER, LOCK, 7/16 in.		4	
18	A	G1 5310-99-136-1517	. NUT, PLAIN, HEXAGON, UNF, steel, Cd plated, 7/16 in.		4	
19		NP	. IDENTIFICATION PLATE	FV130671	1	
20	A	G1 5305-99-971-0242	. SCREW, DRIVE, type U, rd hd, no. 4 x 1/4 in. lg		4	
21	A	6MT1 9905-99-901-3287	. PLATE, MODIFICATION RECORD	FV133030	1	
22	A	G1 5305-99-941-6134	. SCREW, DRIVE, type U, rd hd, no. 00 x 1/4 in. lg		4	
23	A	7TR 2540-99-793-8547	. BRACKET ASSEMBLY, TOWING	FV666412	1	
24		NP	. BOLT, MACHINE, UNF, steel, hex hd, 1/2 in. x 2-1/2 in. lg		2	
25		NP	. BOLT, MACHINE, UNF, steel, hex hd, 1/2 in. x 4-1/2 in. lg		2	
26	A	G1 5310-99-941-8637	. WASHER, FLAT, 1/2 in.		6	
27	A	G1 5310-99-941-6658	. WASHER, LOCK, single coil, 1/2 in.		4	
28	A	G1 5310-99-941-0928	. NUT, PLAIN, HEXAGON, UNF, steel, 1/2 in.		4	
NI	A	9BTR 2540-99-831-9829	. TOWING PIN ASSEMBLY	FV666414	1	)Items 29 )and 30
29	A	9BTR 2540-99-831-9828	.. TOWING PIN	FV666413	1	



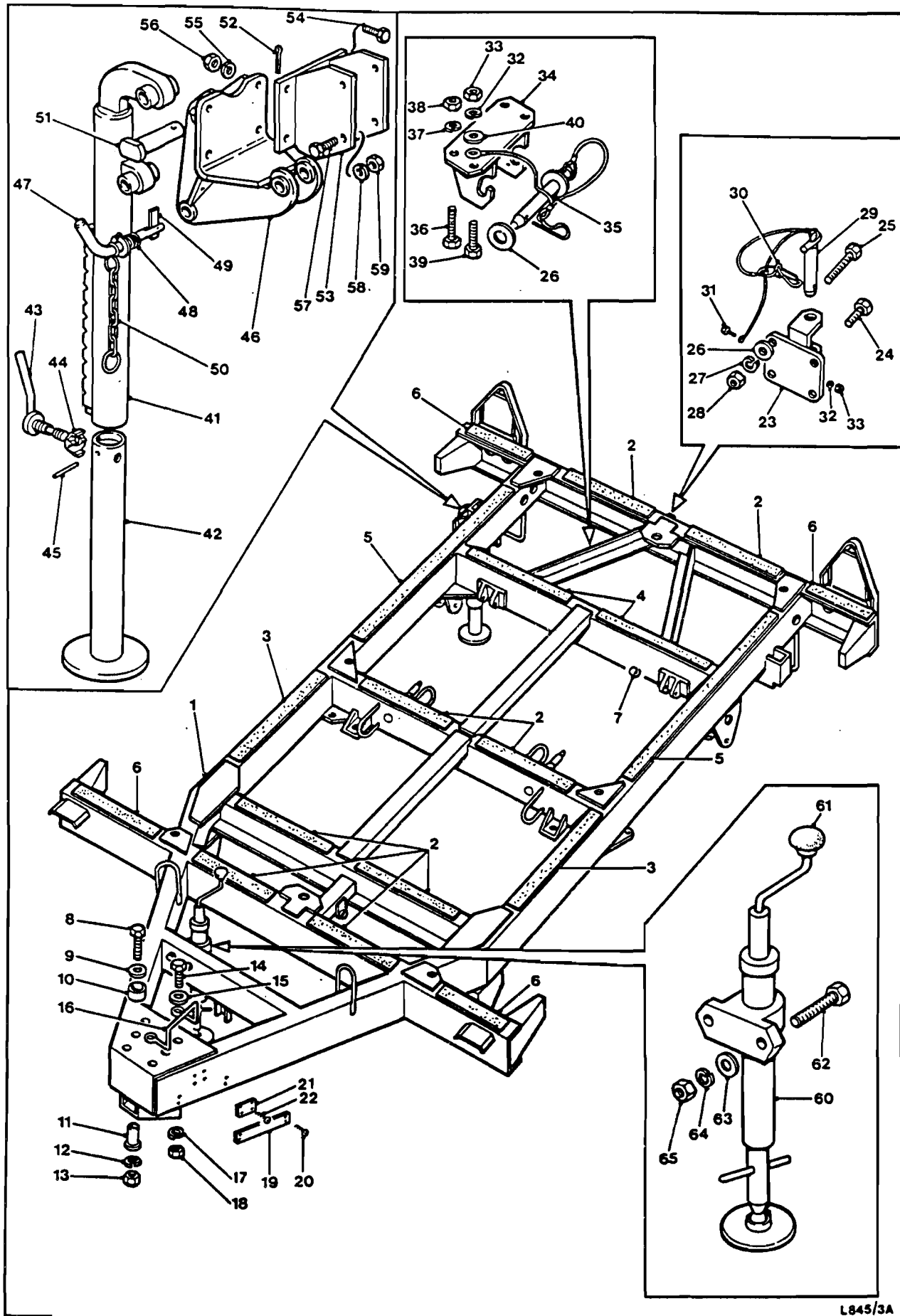


FIG ITEM	MAN.CODE NAVY-N ARMY-A RAF-R	NATO STOCK NUMBER	ITEM NAME AND DESCRIPTION	PART No./ DRAWING No.	No. OFF	ANNOTATIONS
1-			TRAILER, CARGO, 3/4 TONNE - contd			
30	A	9BTR	2540-99-831-9830 .. PIN AND RING ASSEMBLY	FV861978	1	
31	A	G1	5305-99-948-0921 . SCREW, MACHINE, UNF, steel, no. 10 x 3/4 in. lg		1	
32	A	G1	5310-99-941-6653 . WASHER, LOCK, 3/16 in.		3	
33	A	G1	5310-99-941-2419 . NUT, PLAIN, HEXAGON, UNF, steel, no. 10		3	
34		NP	. BRACKET, STOWAGE	FV861702	2	
35	A	9BTR	2590-99-832-1575 . STOWAGE PIN ASSEMBLY	FV862149	2	
36	A	G1	5305-99-941-0513 . SCREW, MACHINE, UNF, steel, hex hd, 1/4 in. x 3/4 in. lg		4	
37	A	G1	5310-99-941-6654 . WASHER, LOCK, 1/4 in.		4	
38	A	G1	5310-99-804-7941 . NUT, PLAIN, HEXAGON, UNF, steel, 1/4 in.		4	
39	A	G1	5305-99-941-0941 . SCREW, MACHINE, UNF, steel, no. 10 x 5.8 in. lg		2	
40	A	G1	5310-99-940-3514 . WASHER, FLAT, 3.16 in.		4	
NI	A	7TR	2510-99-765-7000 . JACK ASSEMBLY, rear	FV924462	2	
NI	A	7TR	2540-99-168-8372 .. SUPPORT LEG AND BRACKET ASSEMBLY	FV2140256	2	
41	A	7TR	4710-99-850-3783 ... TUBE ASSEMBLY, METAL, outer	FV2140257	2	
42	A	7TR	4710-99-803-7931 ... TUBE ASSEMBLY, METAL, inner	FV2140256	2	
43		NP	... CLAMPING BOLT	FV21402258	2	
NI		NP	... HANDLE	FV2140275	2	
44	A	9BTR	5305-99-806-2335 ... WASHER, LOCATING, steel, 7/32 in.	FV620986	2	
45	A	G1	5315-99-138-7759 ... PIN, GROOVED, HEADLESS, steel, 3 mm dia x 30 mm lg		2	
46	A	9BTR	2510-99-925-3392 ... BRACKET, LEG SUPPORT	FV607530	2	
47	A	7TR	2540-99-588-0717 ... ASSEMBLY, PIN LOCKING	FV2140259	2	
NI		NP	... LOCKING PIN WELDED ASSEMBLY	FV2140276	2	
48		NP	.... SPRING, PIN	FV2124370	2	
NI	A	G1	5310-99-122-6477 .... WASHER, FLAT, steel, Zn coated M13	FV617828	2	
49		NP	.... LATCH	FV2124371	2	
NI	A	G1	5315-99-138-7627 .... PIN, GROOVED, HEADLESS, steel, phosphated, 3 mm dia x 12 mm lg		2	
50		NP	.... CHAIN, RETAINING, steel,	FV2124369	2	
51	A	7TR	5315-99-056-3402 ... PIN, STRAIGHT, HEADED	FV2140261	2	
52	A	G1	5315-99-944-0190 ... PIN, COTTER, SPLIT, steel, phosphated, 4 mm x 50 mm lg		2	
53		NP	.. BRACKET JACK SUPPORT	FV2140277	2	
54	A	G1	5305-99-941-0527 .. SCREW, MACHINE, UNF, steel, hex hd, Zn coated, 5/16 in. x 1 in. lg		8	
55	A	G1	5310-99-941-6655 .. WASHER, LOCK, steel, single coll, sq sect., 5/16 in.		8	

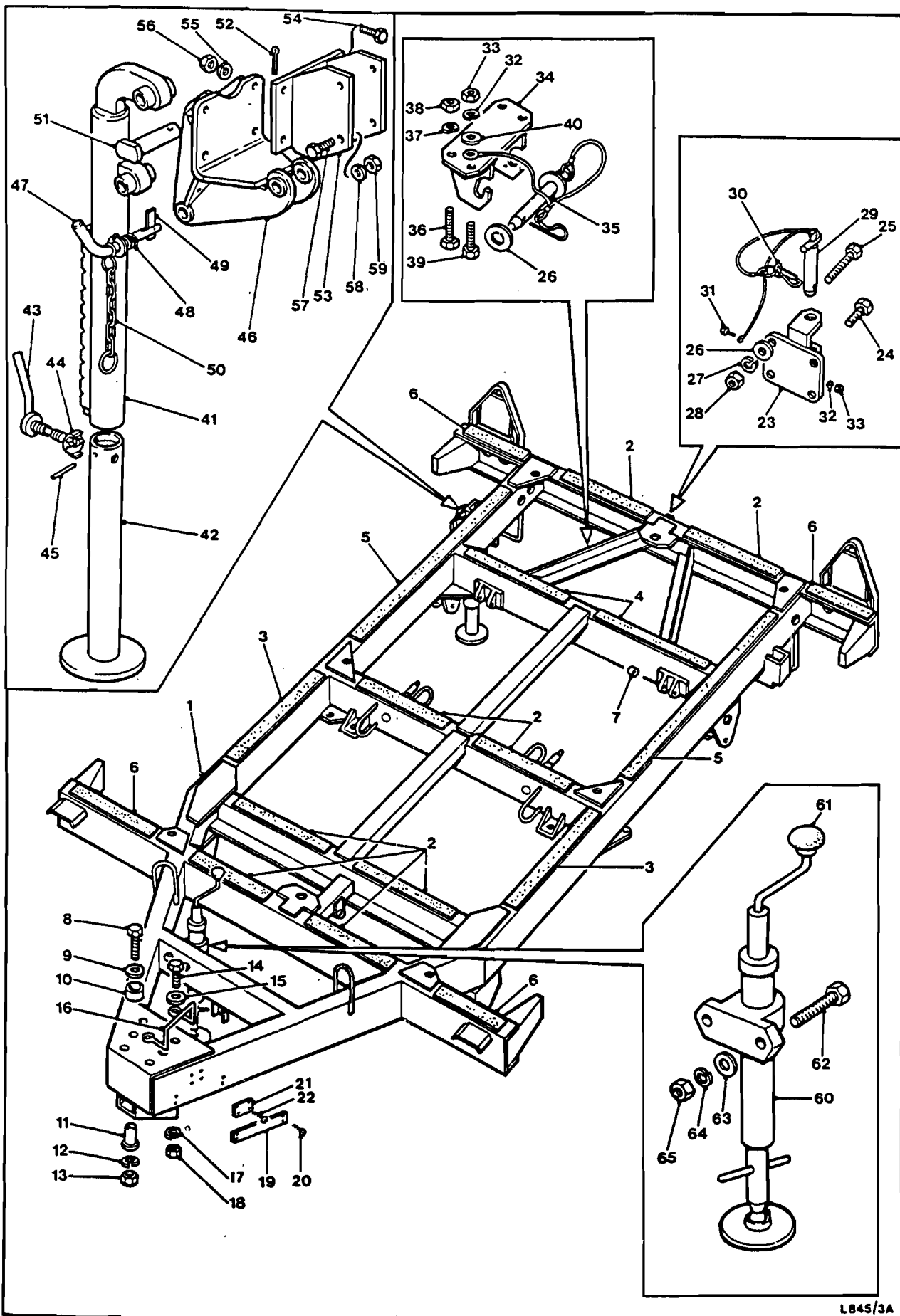
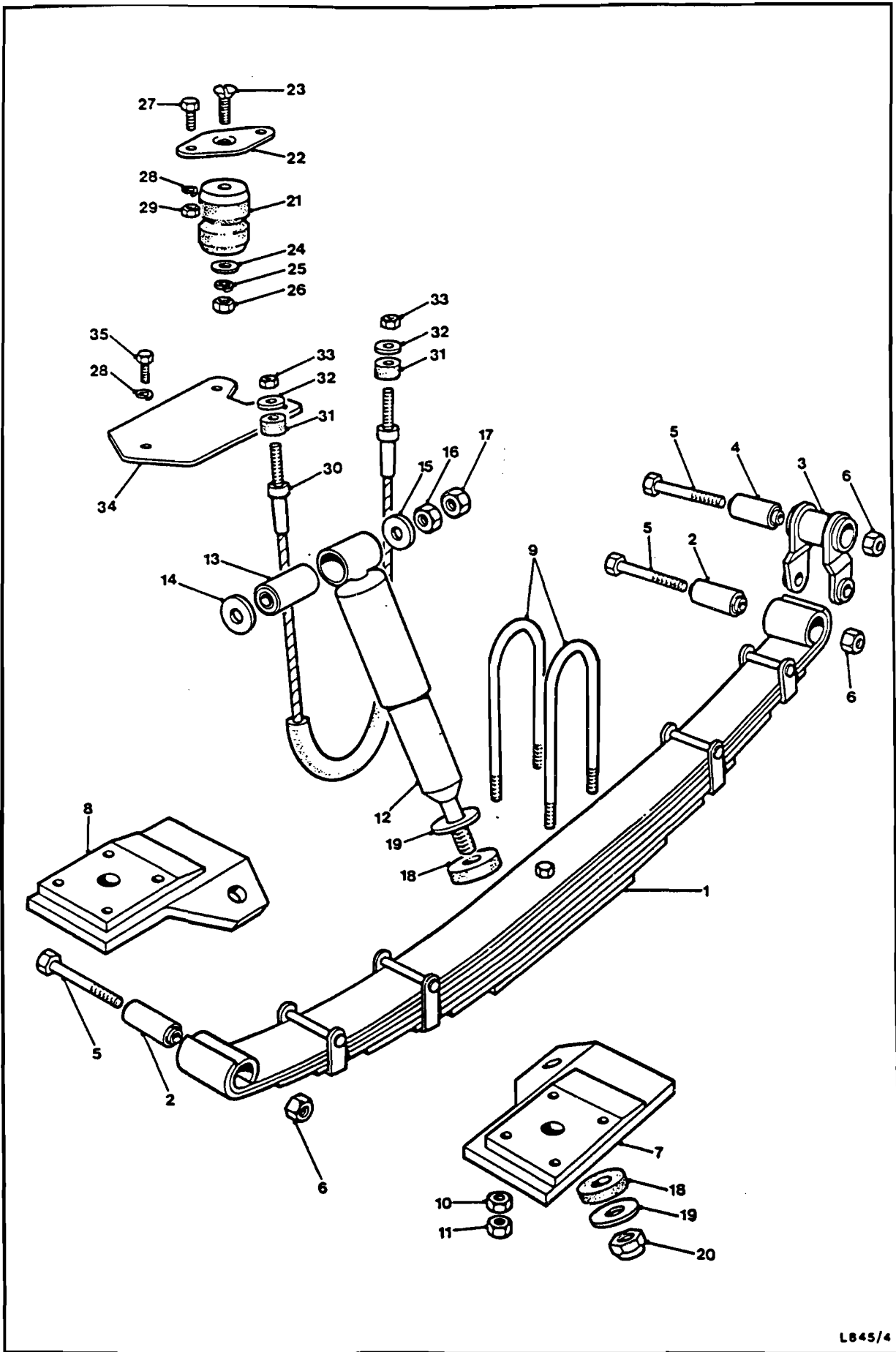


Fig.1 Chassis

FIG ITEM	MAN.CODE NAVY-N ARMY-A RAF-R	NATO STOCK NUMBER	ITEM NAME AND DESCRIPTION	PART No./ DRAWING No.	No. OFF	ANNOTATIONS
1-			TRAILER, CARGO, 3/4 TONNE - contd . REAR JACK ASSEMBLY - contd			
56	A G1	5310-99-941-0925	.. NUT, PLAIN, HEXAGON, UNF steel, Zn coated, 5/16 in.		8	
57	A G1	5305-99-941-0568	..SCREW, MACHINE, UNF, steel hex hd, Zn coated, 1/2 in. x 1-1/4 in. lg		8	
58	A G1	5310-99-941-6658	.. WASHER, LOCK, steel, single coil, sq sect., 1/2 in.		8	
59	A G1	5310-99-941-0928	.. NUT, PLAIN, HEXAGON, UNF, steel, Zn coated, 1/2 in.		8	
60	A 9BTR	2590-99-205-6693	. FRONT JACK ASSEMBLY	FV666598	1	
61	A 9BTR	5355-99-795-1952	.. KNOB, PLASTIC, FRONT JACK	PO3501631200	1	
62	A G1	5306-99-941-0349	. BOLT, MACHINE, UNF, steel, hex hd, 1.2 in. x 3-1/2 in. lg		2	
63	A G1	5310-99-120-3891	. WASHER, FLAT, 1/2 in.		2	
64	A G1	5310-99-941-6658	. WASHER, LOCK, single coil, 1/2 in.		2	
65	A G1	5310-99-941-0928	. NUT, PLAIN, HEXAGON, steel, 1/2 in.		2	
NI	A G1	5306-99-941-0342	. BOLT, MACHINE, UNF, steel, hex hd, 1.2 in. x 1-3/4 in. lg		2	
NI	A G1	5306-99-122-2772	. BOLT, MACHINE, metric, hex hd, 10 x 35 mm lg		4	
NI	A G1	5310-99-122-6476	. WASHER, FLAT, steel, 10 mm		4	
NI	A G1	5310-99-135-9305	. WASHER, LOCK, steel, 10 mm		4	
NI	A G1	5310-99-122-5297	. NUT, PLAIN, HEXAGON, metric 10 mm		4	
NI	A 9BTR	2590-99-795-1944	. JACK, LEVELLING - SUPPORT, VEHICLE, jockey wheel assembly	FV924244	1	
NI	A 7MTE	1740-99-110-1984	.. HANDLE	KIT164	1	
NI	A 7MTE	5355-99-362-7782	.. KNOB	KIT142	1	
NI	A 7MTE	1740-99-234-3460	.. CHAIN	KIT153	1	
NI		NP	.. OUTER TUBE	J385	1	
NI		NP	.. INNER TUBE c/w wheel	J39	1	
NI	A 6MT14	1650-99-811-4500	.. WHEEL, SOLID RUBBER TYRE	KIT3623	1	
NI		NP	.. BUSH c/w bolt and nut	KIT141	1	
NI		NP	.. BRACKET	P302	1	
NI	A W2	2530-99-767-0976	.. CLAMP, HANDLE,	PO1282001400	1	
NI	A 9BTR	5306-99-122-2812	.. BOLT, MACHINE, iso metric, steel hex hd, Zn plated, M16 x 55 mm lg		2	Bracket to frame



FIG ITEM	MAN.CODE NAVY-N ARMY-A RAF-R	NATO STOCK NUMBER	ITEM NAME AND DESCRIPTION	PART No./ DRAWING No.	No. OFF	ANNOTATIONS
2-			TRAILER, CARGO, 3/4 TONNE - contd			
1	A	9BTR 2530-99-832-1560	.. SPRING ASSEMBLY, LEAF, steel, 8 leaves, laden 42 in. between centres	FV861678	2	
2	A	6MT1 5340-99-832-1556	.. MOUNT, RESILIENT, steel/rubber, 5/8 in. ld x 1-1/4 in. od x 2-11/16 in. lg	E2140	4	
NI	A	9BTR 2530-99-832-1555	.. SPRING SHACKLE AND BUSH ASSEMBLY	FV861677	2	
3		NP	.. SPRING SHACKLE	FV861686	2	
4	A	6MT1 5340-99-832-1556	.. MOUNT, RESILIENT, steel/rubber, 5/8 in. ld x 1-1/4 in. od x 2-11/16 in. lg	E2140	2	
5	A	G1 5306-99-941-0365	.. BOLT, MACHINE, UNF, steel, hex hd, Zn coated, 5/8 in. x 4 in. lg		6	
6	A	G1 5310-99-136-1520	.. NUT, PLAIN, HEXAGON, UNF, steel, washer faced, Zn coated, 5/8 in.		6	
7	A	9BTR 2530-99-832-1557	.. CLAMPING PLATE ASSEMBLY, lh	FV861682	1	
8	A	9BTR 2530-99-932-1558	.. CLAMPING PLATE ASSEMBLY, rh	FV861684	1	
9	A	9BTR 5306-99-832-1561	.. BOLT, U, UNF, steel, 3/8 in. 2.5 in. between legs	FV861679	4	
10	A	G1 5310-99-941-0926	.. NUT, PLAIN, HEXAGON, UNF, steel, Zn coated, 3/8 in.		8	
11	A	G1 5310-99-941-0904	.. NUT, PLAIN, HEXAGON, UNF, steel, lock, Zn coated, 3/8 in.		8	
12	A	6MT1 2540-99-800-7368	.. SHOCK ABSORBER, DIRECT ACTION	P3859	2	)Woodhead )Part No.
13			.. MOUNT, RESILIENT		2	
14	A	9BTR 5310-99-874-2237	.. WASHER, SHOCK ABSORBER EYE, OUTER	FV512563	2	
15	A	9BTR 5310-99-974-2236	.. WASHER, SHOCK ABSORBER EYE, INNER	FV512562	2	
16	A	G1 5310-99-136-1517	.. NUT, PLAIN, HEXAGON, UNF, 7/16 in.		2	
17	A	G1 5310-99-941-0905	.. NUT, PLAIN, HEXAGON, UNF, LOCK, 7/16 in.		2	
18		NP	.. RUBBER BUFFER	FV924781	4	
19		NP	.. WASHER FLAT		4	
20		NP	.. NUT, PLAIN, HEXAGON		2	
NI	A	9BTR 2530-99-766-9116	.. SPRING ASSEMBLY, RUBBER	FV861678	2	)Aeon type )520H
21	A	6MT1 5340-99-812-9329	.. MOUNT, RESILIENT, rubber, 2-3/8 in. od x 3-15/16 in. h	FV665608/30	1	
22	A	9BTR 2530-99-832-1554	.. PLATE, SUSPENSION, steel, diamond shape, 3 in. w x 5-1/2 in. lg x 1/4 in. thk	FV861685	1	
23	A	G1 5305-99-941-1781	.. SCREW, MACHINE, UNF, steel, csk hd, 3/8 in. x 1-1/4 in. lg		1	
24	A	6MT1 5310-99-802-5872	.. WASHER, FLAT, ssteel, 3/8 in. ld x 1 in. od x 3/16 in. thk	FV665608/33	1	



LB45/4

Fig.2 Suspension

FIG ITEM	MAN.CODE NAVY-N ARMY-A RAF-R	NATO STOCK NUMBER	ITEM NAME AND DESCRIPTION	PART No./ DRAWING No.	No. OFF	ANNOTATIONS
2-			TRAILER, CARGO, 3/4 TONNE - contd . RUBBER SPRING ASSEMBLY - contd			
25	A G1	5310-99-941-6656	.. WASHER, LOCK, steel, single coll, 3/8 in.		1	
26	A G1	5310-99-941-0926	.. NUT, PLAIN, HEXAGON, 3/8 in.		1	
27	A G1	5305-99-941-0280	.. SCREW, MACHINE, UNF, hex hd, 1/4 in. x 1 in. lg		4	
28	A G1	5310-99-941-6654	.. WASHER, LOCK, UNF, 1/4 in.		4	
29	A G1	5310-99-941-0924	.. NUT, PLAIN, HEXAGON, UNF, 1/4 in.		4	
30	A 9BTR	2530-99-932-1562	.. CHECK CABLE ASSEMBLY, UNF, 3/8 in. thd, 5 mm dia wire, 1/4 in. id steel tube	FV861681	2	
31	A 9BTR	2540-99-874-2269	.. BUFFER, CHECK CABLE	FV556150	4	
32	A G1	5310-99-120-7444	.. WASHER, FLAT, 3/8 in.		4	
33	A G1	5310-99-526-6255	.. NUT, SELF-LOCKING, HEXAGON, steel, 3/8 in.		4	
34		NP	.. PLATE, COVER	FV861680	2	
35	A G1	5305-99-941-0512	.. SCREW, MACHINE, UNF, steel, hex hd, Zn coated, 1/4 in. x 5/8 in. lg		6	



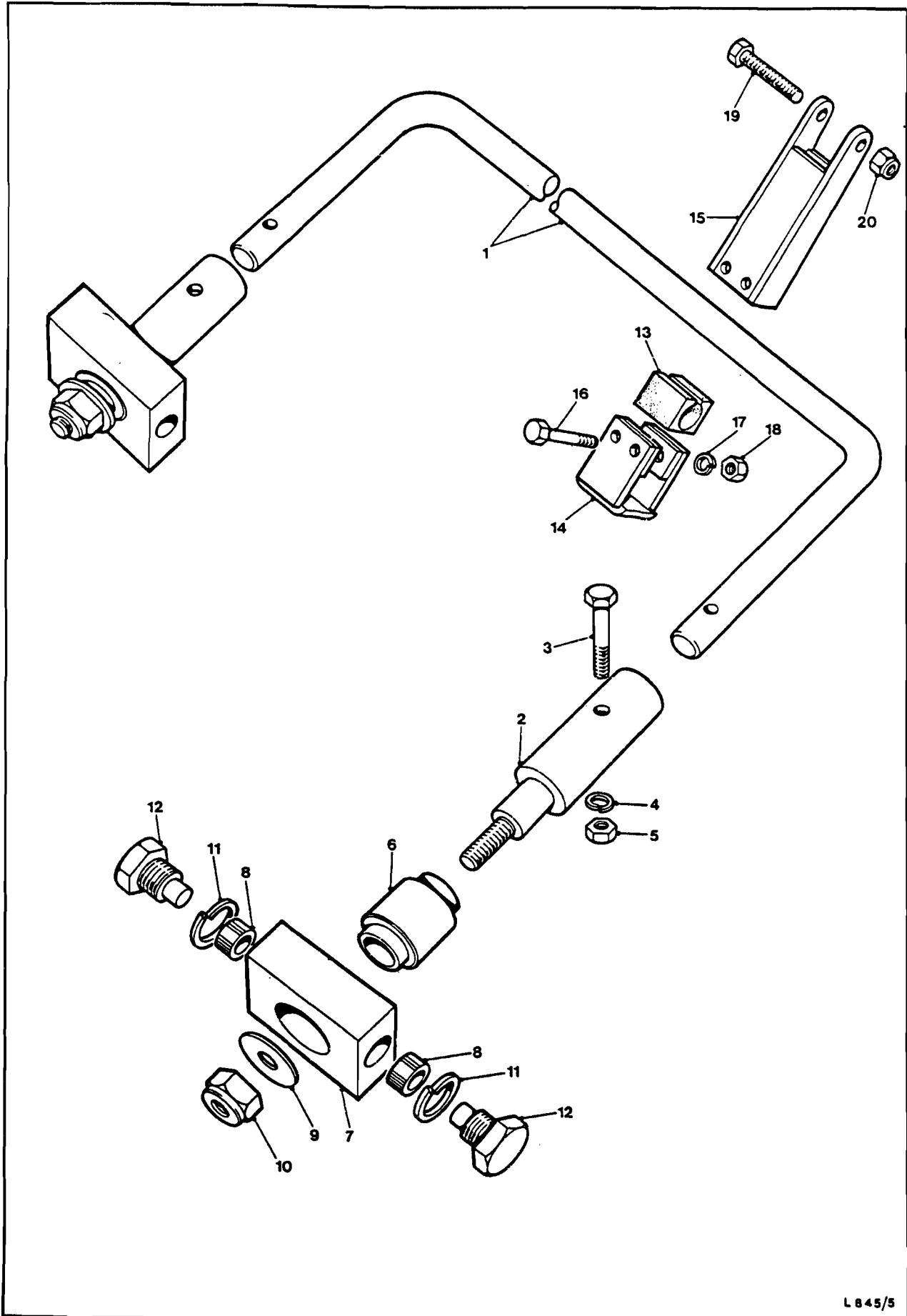
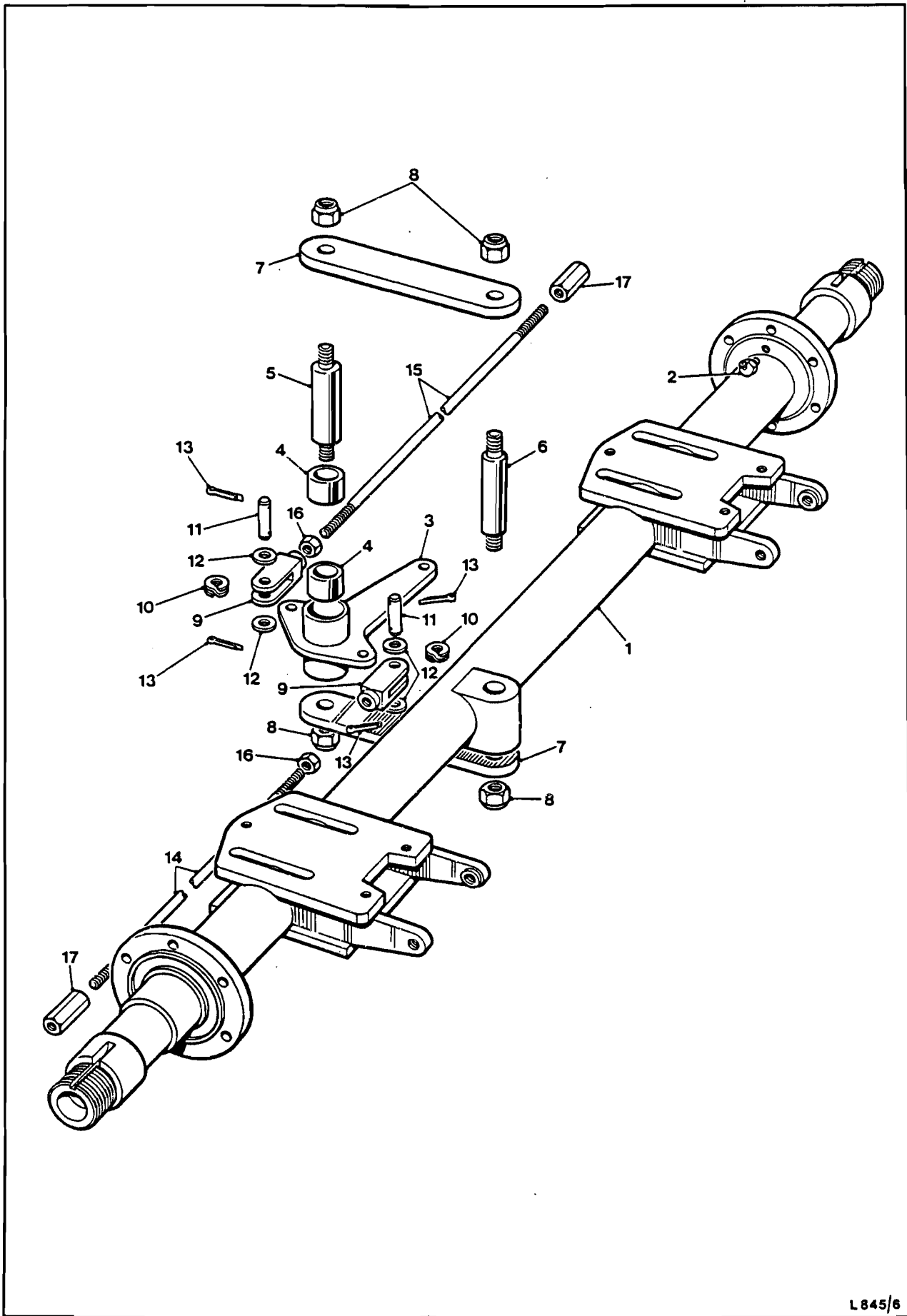


Fig.3 Anti-roll bar

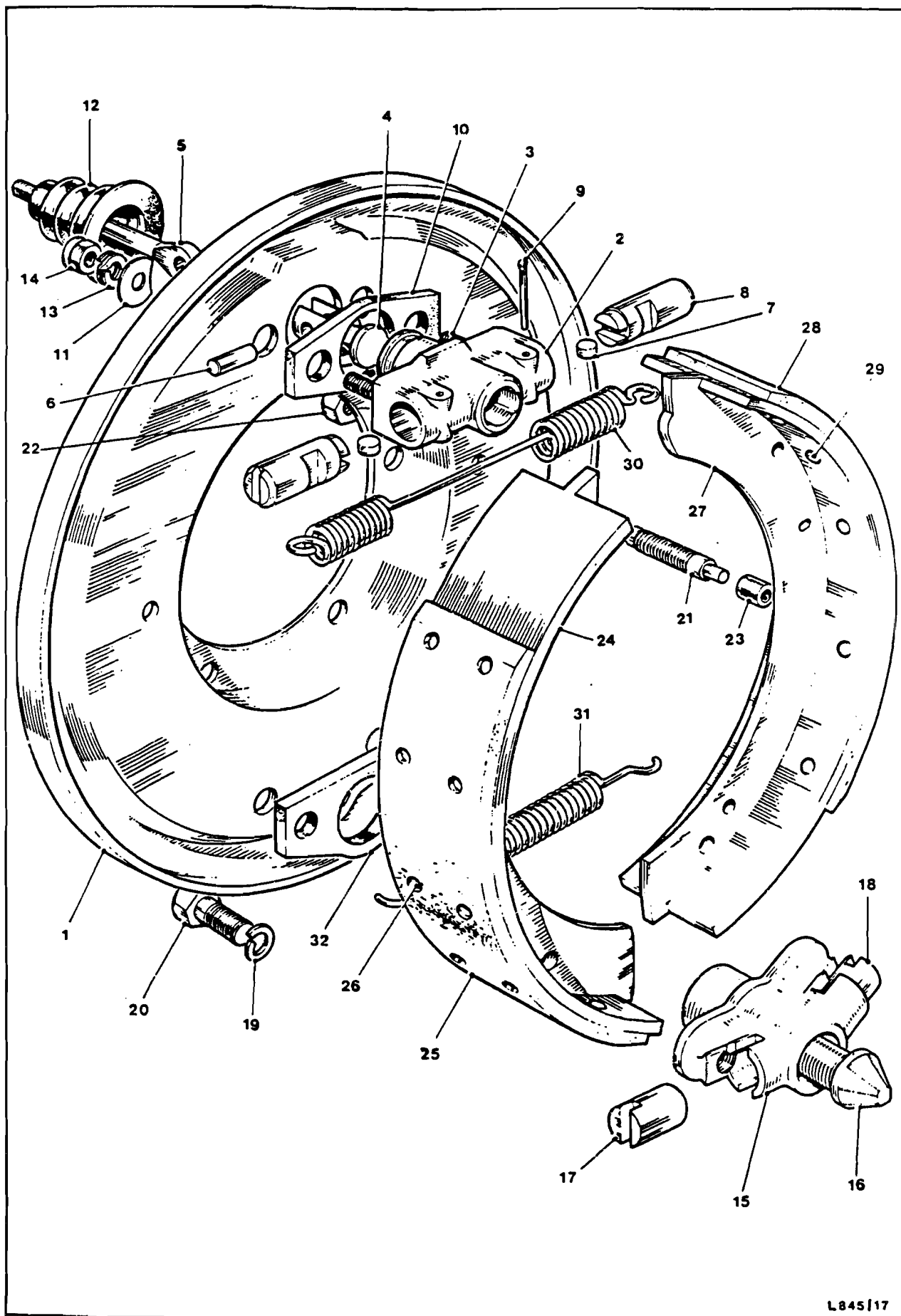
FIG ITEM	MAN.CODE NAVY-N ARMY-A RAF-R	NATO STOCK NUMBER	ITEM NAME AND DESCRIPTION	PART No./ DRAWING No.	No. OFF	ANNOTATIONS
3-			TRAILER, CARGO, 3/4 TONNE - contd			
		NP	.. ANTI-ROLL BAR ASSEMBLY	FV861674		
1	A	9BTR 2510-99-793-9154	.. BAR, ANTI ROLL	FV861672	1	
2	A	9BTR 2530-99-793-9144	.. ANTI-ROLL BAR EXTENSION	FV861671	2	
3	A	G1 5306-99-941-0285	.. BOLT, MACHINE, UNF, steel, hex hd, 1/4 in. x 1-3/4 in. lg		2	
4	A	G1 5310-99-941-6645	.. WASHER, LOCK, A1/4 IN.		2	
5	A	G1 5310-99-804-7941	.. NUT, PLAIN, HEXAGON, UNF, 1/4 in.		2	
NI	A	9BTR 5340-99-832-4632	.. MOUNT, RESILIENT	FV861665	2	
6	A	6MT1 5340-99-832-1563	.. BUSH, METALASTIC ULTRA DRY	26-14710- 00194	2	
7		NP	.. SWIVEL BLOCK	FV861666	2	
8	A	6MT1 3120-99-200-2459	.. BEARING, SLEEVE, Phos B, 5/8 in. id x 3/8 in. od x 5/8 in. lg	26-14710- 00193	4	
9	A	G1 5310-99-941-8640	.. WASHER, FLAT, steel, Zn coated, 3/4 in.		2	
10	A	G1 5310-99-122-4813	.. NUT, SELF-LOCKING, HEXAGON, UNF, steel, thin, 3/4 in.		2	
11	A	G1 5310-99-941-6661	.. WASHER, LOCK, steel, single coil, 3/4 in.		4	
12	A	9BTR 2530-99-832-1559	.. SWIVEL PIN, UNF, steel, hex hd, 3/4 in. x 1.980 in. lg	FV861673	4	
NI	A	9BTR 2530-99-839-4201	.. PIN, SWIVEL, UNF, steel, hex hd 3/4 in. 1st end, 3/8 in. 2nd end	FV861673	4	)Used with )lubricating )nipple
NI		NP	.. LOCATING BRACKET ASSEMBLY	FV861667	2	
13		NP	.. BUSH	FV861670	2	
14		NP	.. BRACKET, CLAMPING	FV861669	2	
15		NP	.. BRACKET, LOCATING	FV861668	2	
16	A	G1 5306-99-941-0303	.. BOLT, MACHINE, UNF, steel, hex hd, 5/16 in. x 2-1/2 in. lg		4	
17	A	G1 5310-99-941-6655	.. WASHER, LOCK, 5/16 in.		4	
18	A	G1 5310-99-941-0925	.. NUT, PLAIN, HEXAGON, UNF, 5/16 in.		4	
19	A	9BTR 5306-99-832-1564	.. BOLT, MACHINE, UNF, STEEL, hex hd, 3/8 in. x 3 in. lg		2	
20		NP	.. NUT, SELF-LOCKING, HEXAGON, UNF, 3/8 in.		2	
NI	A	G1 5310-99-941-0924	.. NUT, PLAIN, HEXAGON, UNF, 1/4 in.		2	
NI	A	G1 5310-99-941-6654	.. WASHER, LOCK, single coil, 1/4 in.		2	
NI	A	6MT1 4730-99-943-9379	.. LUBRICATING NIPPLE, 3/8 in. UNF		4	



L845/6

Fig.4 Axle and brake compensator

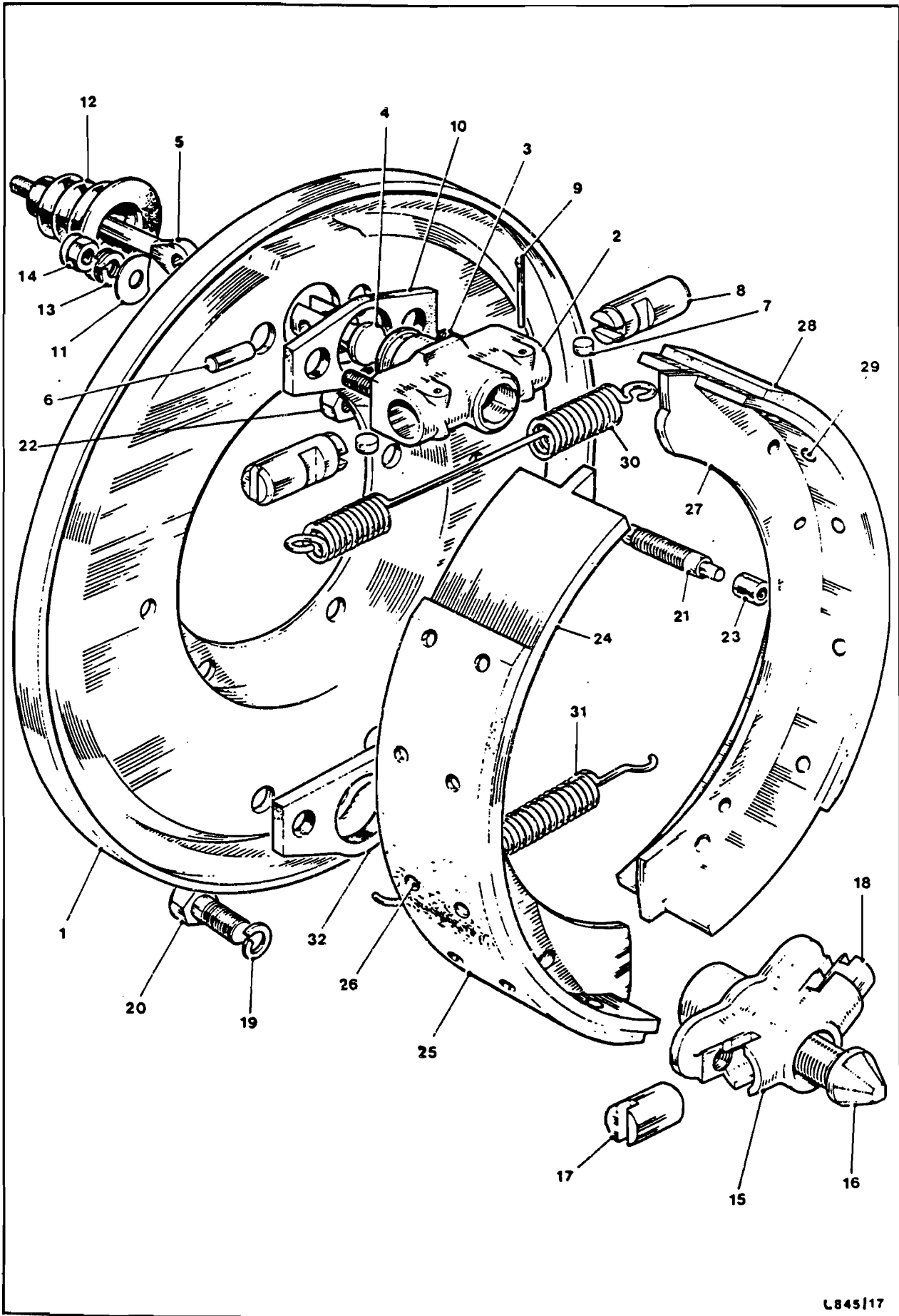
FIG ITEM	MAN.CODE NAVY-N ARMY-A RAF-R	NATO STOCK NUMBER	ITEM NAME AND DESCRIPTION	PART No./ DRAWING No.	No. OFF	ANNOTATIONS
4-						
1	A 9BTR	2530-99-978-2595	TRAILER, CARGO, 3/4 TONNE - contd . AXLE, COMPLETE, welded assy	FV861653	1	)Rubery )Owen 560 )001 419
2	A 6MT1	4730-99-943-9375	. LUBRICATING NIPPLE		2	
3	A 9BTR	2530-99-810-2633	. COMPENSATOR, LEVER	FV556077	1	
4	A 6MT1	3120-99-200-2455	. BEARING, SLEEVE	FV12078	2	
5	A 9BTR	5315-99-874-2255	. PIN, COMPENSATOR ARM	FV556079	1	
6	A 9BTR	5315-99-874-2256	. PIN, COMPENSATOR ARM	FV556081	1	
7	A 9BTR	2540-99-874-2254	. ARM, COMPENSATOR	FV556078	2	
8	A G1	5310-99-526-5526	. NUT, SELF-LOCKING, HEXAGON, UNF, steel, all-metal, Zn coated, 3/8 in.		4	)Philidas )Mk V )26 11578 )00557
9	A 9BTR	5340-99-848-9221	. FORK END	FV7864	2	
10	A G1	5310-99-941-6628	. WASHER, LOCK, DOUBLE COIL		2	
11	A 9BTR	5315-99-848-9224	. PIN, STRAIGHT, HEADLESS	FV7867	2	
12	A G1	5310-99-941-8386	. WASHER, FLAT, steel, Zn coated, 5/16 in.		4	
13	A G1	5815-99-138-2201	. PIN, COTTER, SPLIT, steel, phosphated, 1.6 mm x 25 mm lg		4	
14	A 9BTR	5306-99-832-1552	. ROD, THREADED ENDS, UNF, steel, phosphated, 5/16 in. x 18-3/4 in. lg, lh	FV861664	1	
15	A 9BTR	5306-99-832-1551	. ROD, THREADED ENDS, UNF, steel, phosphated, 5/16 in. x 27 in. lg, rh	FV861663	1	
16	A G1	5310-99-136-1515	. NUT, PLAIN, HEXAGON, UNF, steel, Zn coated, 5/16 in.		2	
17	A 9BTR	5310-99-848-9323	. NUT, PLAIN, HEXAGON, UNF, steel, 5/16 in. x 1-1/2 in. h	FV12109	2	



L845/17

Fig-5 Brake

FIG ITEM	MAN.CODE NAVY-N ARMY-A RAF-R	NATO STOCK NUMBER	ITEM NAME AND DESCRIPTION	PART No./ DRAWING No.	No. OFF	ANNOTATIONS
5-			TRAILER, CARGO, 3/4 TONNE - contd			
1		NP	. BRAKE ASSEMBLY, LEFT	64029960 FL	1	
NI	A	6MT9 2530-99-805-8262	.. BACKPLATE	64273878	1	
NI		NP	. BRAKE ASSEMBLY, right	64029962 FL	1	
NI	A	6MT9 2530-99-882-0879	.. BACKPLATE	64273879	1	
			. BRAKE ASSEMBLIES -			
NI	A	6MT9 2530-99-400-4758	.. EXPANDER UNIT	GB42705	1	Per assy
NI	A	6MT9 2530-99-831-9848	.. EXPANDER ASSEMBLY, BRAKE	SSB75645	1	)Alternative
2	A	6MT9 2530-99-836-4863	... BODY, BRAKE EXPANDER	GB42706	1	
4	A	6MT9 2530-99-836-3640	... CONE, BRAKE EXPANDER	GB1404C	1	
5	A	6MT9 2530-99-836-4803	... DRAW LINK, BRAKE EXPANDER	GB42078	1	
6	A	6MT9 2530-99-836-3511	... PIN, BRAKE DRAW LINK, steel, 1/4 in. x 23/32 in. lg	GB67	1	
NI	A	7AT 3895-99-208-0259	... EYEBOLT, brake expander	3761-422	2	)Alternative
NI	A	7AT 3895-99-208-0261	... PIN, FOR EXPANDER	3443-233	2	)
7	A	6MT9 3110-99-836-3543	... ROLLER, BEARING, steel, 5/16 in. dia x 1.4 in. lg	GB535	2	
8	A	6MT9 2530-99-836-4802	... TAPPET, BRAKE SHOE	GB41077C	2	
9	A	G1 5315-99-942-0385	... PIN, COTTER, SPLIT, steel, phos, 3/32 in. x 1-1/2 in. lg		2	
11	A	6MT9 5310-99-836-3763	.. WASHER, KEY, 0.265 in. id x 0.056 in. thk, 2 ext keys	GB2841	2	
12	A	6MT9 2530-99-836-3731	.. COVER, DUST, BRAKE EXPANDER	GB2501	1	
NI	A	6MT9 2530-99-833-9002	.. BOOT, DUST AND MOISTURE SEAL	32324	2	)Alternative
13	A	G1 5310-99-941-6627	.. WASHER, LOCK, steel, double coil, 1/4 in.		2	
14	A	G1 5310-99-120-3164	.. NUT, SELF-LOCKING, HEXAGON, BSF, steel, nylon insert, Zn coated, 1/4 in.		2	

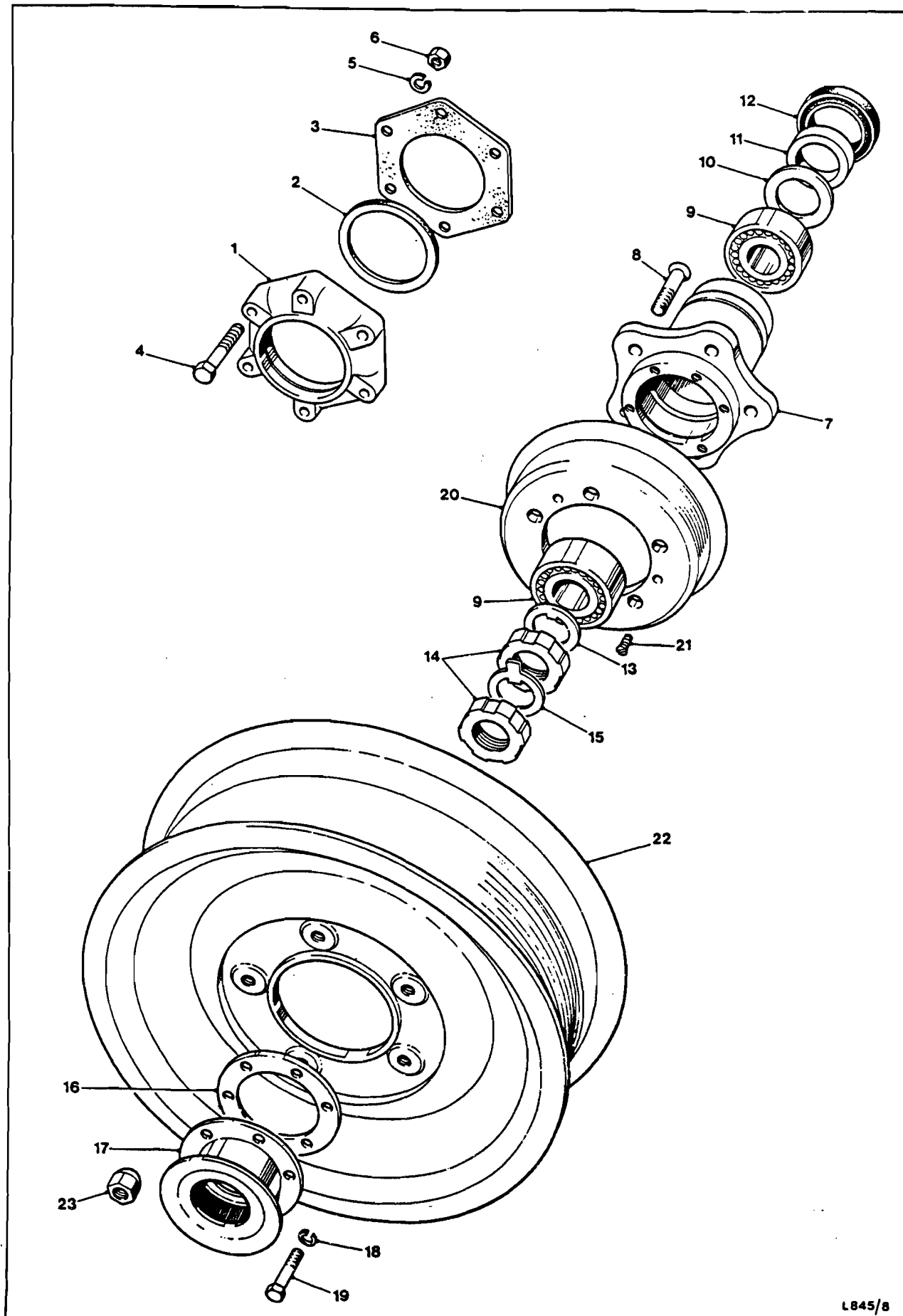


L845117

Fig.5 Brake

FIG ITEM	MAN.CODE NAVY-N ARMY-A RAF-R	NATO STOCK NUMBER	ITEM NAME AND DESCRIPTION	PART No./ DRAWING No.	No. OFF	ANNOTATIONS
5-			TRAILER, CARGO, 3/4 TONNE-Contd			
15	A	6MT9 2530-99-836-4722	.. ADJUSTER ASSEMBLY, BRAKE	5T/120	1	
16	A	6MT9 2530-99-882-0068	... CONE, BRAKE ADJUSTER	64225129	1	
17	A	6MT9 2530-99-881-9879	... PLUNGER, lh	64224703	1	
18	A	6MT9 2530-99-882-0386	... PLUNGER, rh	64224706	1	
NI	A	6MT9 2530-99-881-2434	. ADJUSTER ASSEMBLY, MICRAM	25254	2	)Alternative
19	A	G1 5310-99-944-0550	.. WASHER, LOCK, steel, single coil, sq sect., Cd plated, 3/8 in.		2	
20	A	G1 5305-99-941-0438	.. SCREW, MACHINE, UNF, steel, hex hd, 3/8 in. x 3/4 in. lg		2	
21	A	6MT9 2530-99-836-4627	.. STOP, BRAKE SHOE	64224392	2	
22	A	G1 5310-99-941-0914	.. NUT, PLAIN, HEXAGON, UNF, steel, Zn coated, 5/16 in.		2	
23	A	6MT9 5330-99-400-4642	.. BUSH, FELT, brake shoe stop	GB14818	2	
NI	A	6MT9 2530-99-823-7276	.. BRAKE SHOE, INTERNALLY ACTUATED, leading and trailing	64937596 PH	1	
NI	A	6MT9 2530-99-837-2118	.. BRAKE SHOE, set, c/w linings	LB3178/AM8	2	
NI	A	6MT9 2530-99-836-3595	.. LINING	SP1334	2	
NI	A	6MT9 2530-99-836-3596	.. LINING	SP1335	2	
30	A	6MT9 5360-99-766-8840	.. SPRING, HELICAL, EXTENSION	64373250	1	)Expander )end
NI	A	6MT9 5360-99-630-0171	.. SPRING, HELICAL, EXTENSION	AU/LK/89963	1	)Alternative
31	A	6MT9 2530-99-836-4939	.. SPRING, HELICAL, EXTENSION	GB43585	1	)Adjuster )end
NI	A	6MT9 5360-99-809-5821	.. SPRING, HELICAL, EXTENSION	B9485	2	)Alternative





L845/8

Fig.6 Hub and wheel

FIG ITEM	MAN.CODE NAVY-N ARMY-A RAF-R	NATO STOCK NUMBER	ITEM NAME AND DESCRIPTION	PART No./ DRAWING No.	No. OFF	ANNOTATIONS
6-			TRAILER, CARGO, 3/4 TONNE - contd			
1	A	9BTR 2530-99-820-5007	. DEFLECTOR, OIL	FV746828	2	
2	A	9BTR 5330-99-848-1519	.. WASHER, NON-METALLIC, leather, 3.589 in. ld x 4.218 in. od x 0.117 in. thk	FV15302	2	
3	A	9BTR. 2530-99-848-1518	. GASKET, paper	FV15301	2	
4	A	G1 5301-99-941-0314	. BOLT, MACHINE, UNF, steel, hex hd, Zn coated, 3/8 in. x 1-3/4 in. lg		12	
5	A	G1 5310-99-941-6656	. WASHER, LOCK, single coil, 3/8 in.		12	
6	A	G1 5310-99-941-0926	. NUT, PLAIN, HEXAGON, UNF, 3/8 in.		12	
7	A	9BTR 2530-99-831-9846	. HUB, WHEEL, c/w stud	FV861780	2	
8	A	9BTR 2530-99-831-9847	.. STUD, WHEEL, metric, steel, Cd plated, 16 x 1.5 mm pitch	FV850761	10	
9	A	6MT7 3110-99-950-1057	. BEARING, TAPER ROLLER, CONE CUP		4	
10	A	9BTR 5310-99-848-9318	. WASHER, FLAT	FV12062	2	
11	A	9BTR 2530-99-848-1412	. RETAINER, OIL SEAL	FV14350	2	
12	A	6MT1 5330-99-832-1553	. SEAL, PLAIN, ENCASED		2	
13	A	9BTR 2520-99-848-1164	. WASHER, BEARINGS, HUB	FV14356	2	
14	A	9BTR 2530-99-848-1984	. NUT, CIRCULAR, WHEEL HUB	FV131185	4	
15	A	9BTR 2530-99-848-1974	. WASHER, LOCK, WHEEL HUB	FV15761	2	
16	A	9BTR 2530-99-848-9314	. WASHER, JOINT, HUB CAP	FV12066	2	
17	A	9BTR 2530-99-848-9315	. CAP, ROAD WHEEL HUB	FV12069	2	
18	A	G1 5310-99-941-6655	. WASHER, LOCK, 5/16 in.		12	
19	A	G1 5305-99-941-0527	. SCREW, MACHINE, UNF, steel, hex hd, 5/16 in. x 1 in. lg		12	
20	A	9BTR 2530-99-848-1902	. BRAKE DRUM	FV14361	2	
21	A	G1 5305-99-941-1749	. SCREW, MACHINE, UNF, steel, csk hd, 1/4 in. x 5/8 in. lg		6	
22	A	6MT14 2530-99-809-2504	. WHEEL, PNEUMATIC TYRE, 5.50F x 16, well base, 5 stud	FV607330	2	
23	A	7RU 5310-99-819-1858	. NUT, CONE, SEAT, HEXAGON, metric, steel, Cd plated, 16 x 1.5 mm pitch	FV850762	10	
NI	A	6MT14 2610-99-809-3576	. TYRE PNEUMATIC, 6.50-16, cross-ply, standard tread		2	
NI	A	6MT14 2620-99-809-3632	. INNER TUBE, PNEUMATIC TYRE		2	
NI	A	6MT14 2640-99-809-4086	.. VALVE PNEUMATIC, rubber covered, 1-3/8 in. h		2	
NI	A	6MT14 2640-99-809-4083	.. VALVE CORE		2	
NI	A	6MT14 2640-00-052-0944	.. CAP, PNEUMATIC TYRE VALVE		2	

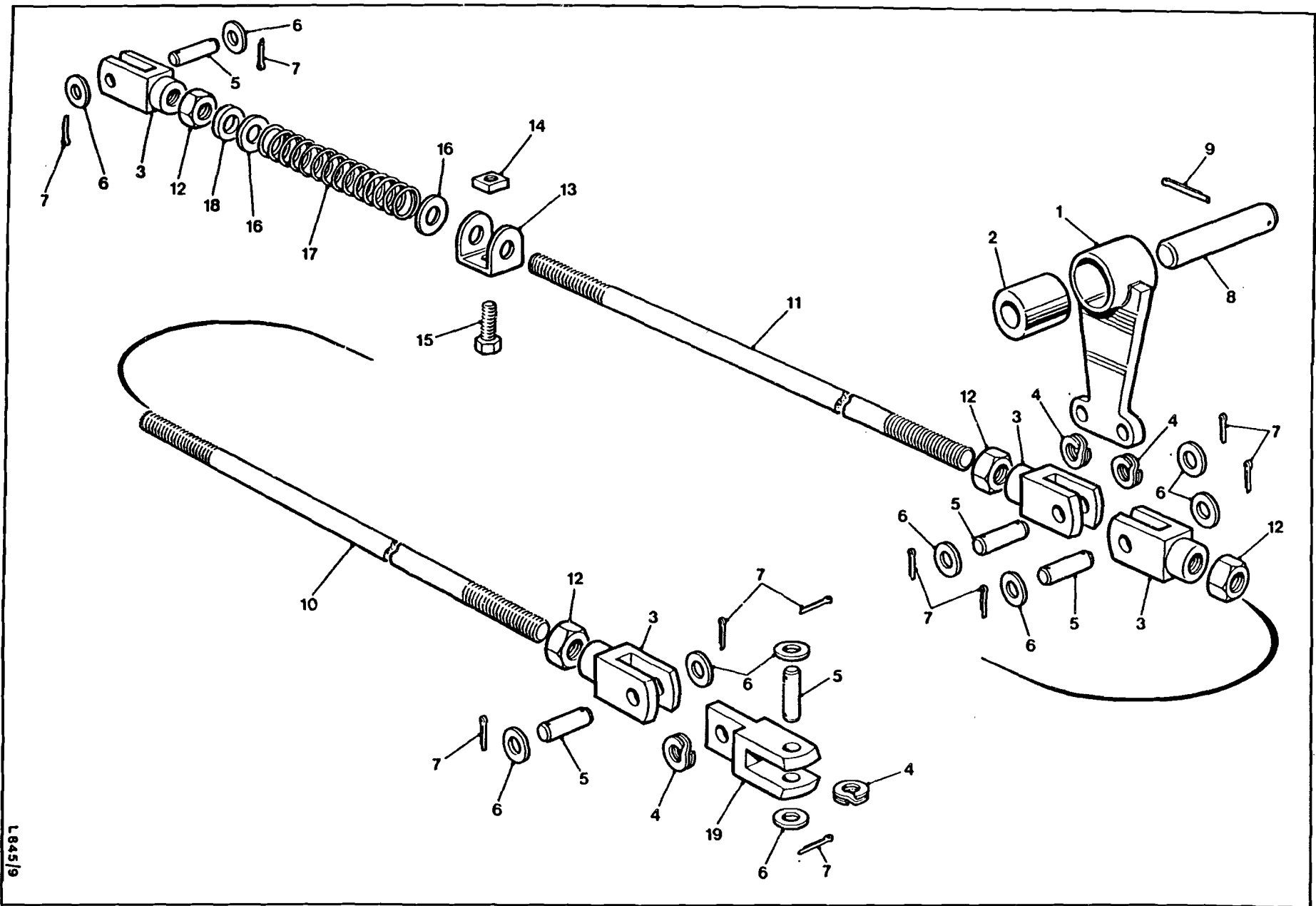
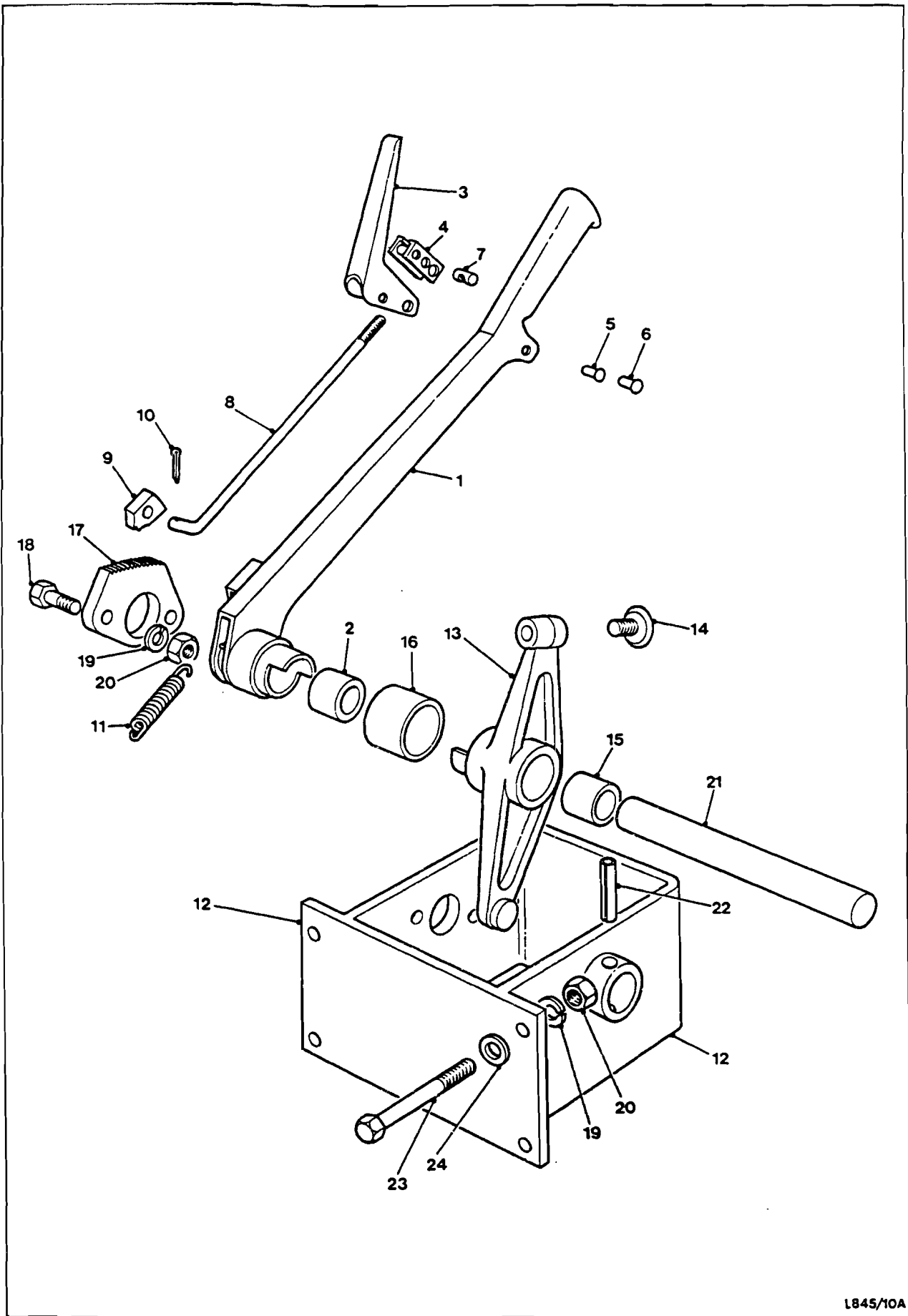


Fig. 7 Brake linkage

L845/9

FIG ITEM	MAN.CODE NAVY-N ARMY-A RAF-R	NATO STOCK NUMBER	ITEM NAME AND DESCRIPTION	PART No./ DRAWING No.	No. OFF	ANNOTATIONS
7-			TRAILER, CARGO, 3/4 TONNE - contd			
1	A	9BTR 2530-99-874-2262	. LEVER RELAY, OVER-RUN BRAKE	FV556109	1	
2	A	9BTR 2590-99-461-0102	. BEARING, SLEEVE	FV7905	1	
3	A	9BTR 5340-99-848-8221	. FORK END	FV7864	4	
4	A	G1 5310-99-941-6628	. WASHER, LOCK, DOUBLE COIL, 5/16 in.		4	
5	A	9BTR 5315-99-848-9224	. PIN, STRAIGHT, HEADLESS	FV7867	5	
6			. WASHER, PLAIN, 5/16 IN., heavy gauge		10	
7	A	G1 5315-99-138-2201	. PIN, COTTER, SPLIT, steel, phosphated, 1.60 mm x 25 mm lg		10	
8	A	9BTR 5315-99-832-1571	. PIN, STRAIGHT, HEADLESS, steel, 5/8 in. x 2-3/4 in. lg	FV861713	1	
9	A	G1 5315-99-127-9921	. PIN, COTTER, SPLIT, steel, 1/8 in. x 1-1/4 in. lg		1	
10	A	G1 5306-99-774-2320	. ROD, 5/16 in. x 41.18 in. lg	FV924193	1	
11	A	9BTR 2530-99-874-2265	. ROD, BRAKE, BRAKE LEVER TO RELAY LEVER	FV556128	1	
NI	A	9BTR 2530-99-774-2319	. ROD, BRAKE, rod spring, and fork at each end 44.88 in. lg	FV924192	1	
12	A	G1 5310-99-136-1526	. NUT, PLAIN, HEXAGON, UNF, steel, 5/16 in.		4	
13	A	9BTR 2530-99-848-9234	. LOCK, SPRING, RETURN ROD BRAKE	FV7911	1	
14	A	9BTR 2530-99-848-9235	. LOCKNUT, SPRING RETURN, ROD BRAKE	FV7912	1	
15	A	G1 5305-99-941-0524	. SCREW, MACHINE, UNF, steel, hex hd, Zn coated, 5/16 in. x 5/8 in. lg		1	
16	A	9BTR 2530-99-848-9233	. WASHER, LOCATING, SPRING, ROD BRAKE	FV7910	2	
17	A	9BTR 5306-99-848-9232	. SPRING, HELICAL, COMPRESSIONS	FV7909	1	
18	A	9BTR 2530-99-849-0009	. PAD, SPRING, RETURN, ROD, BRAKE	FV11556	1	
19	A	9BTR 3040-99-848-9228	. LINK CONNECTING RIGID, knuckle Joint	FV7900	1	
NI	A	G1 5310-99-941-6627	. WASHER, LOCK, steel, double coil, 1/4 in.		4	



L845/10A

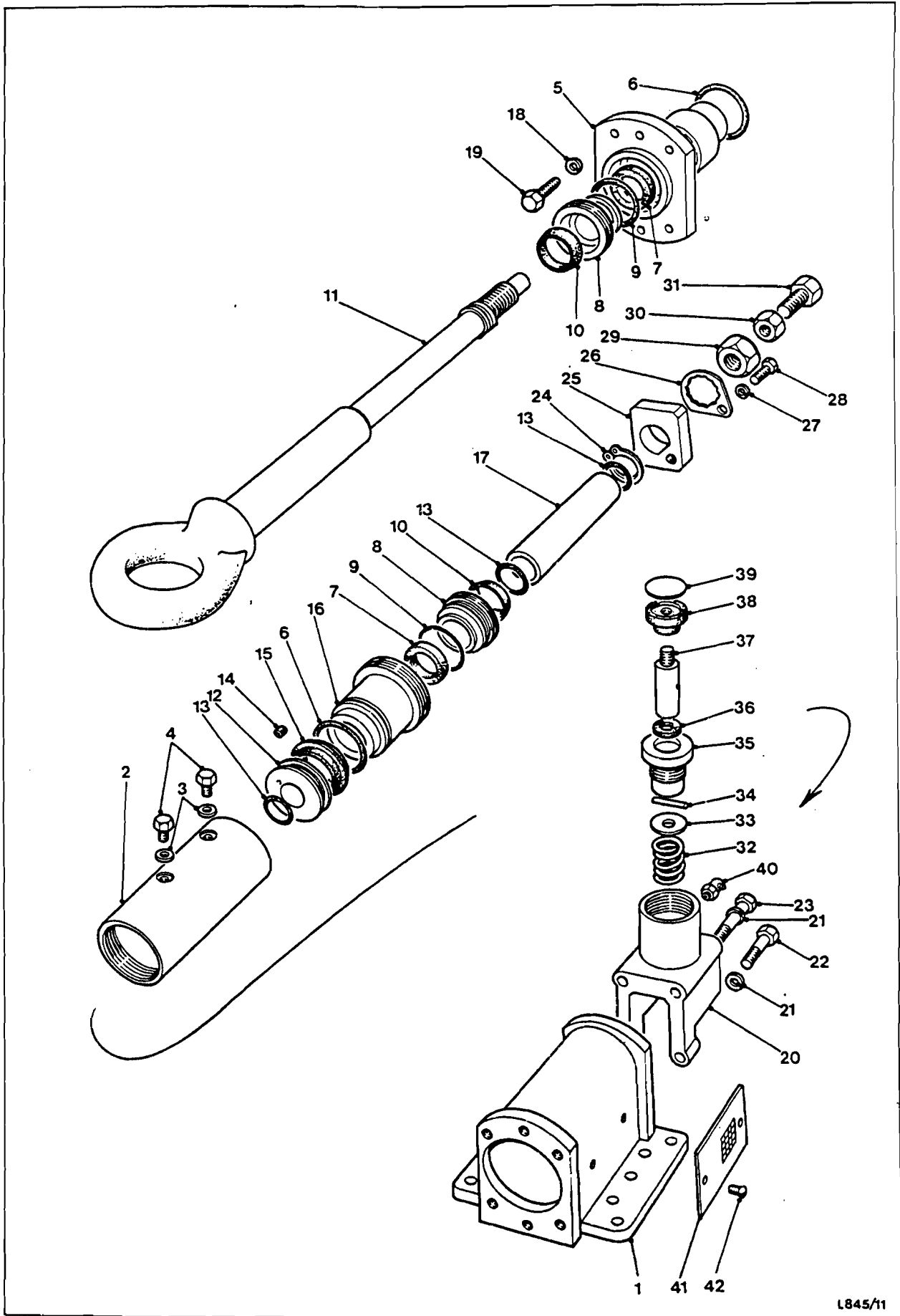
Fig.8 Handbrake and overrun lever

FIG ITEM	MAN.CODE NAVY-N ARMY-A RAF-R	NATO STOCK NUMBER	ITEM NAME AND DESCRIPTION	PART No./ DRAWING No.	No. OFF	ANNOTATIONS
8-			TRAILER, CARGO, 3/4 TONNE - contd			
		NP	.. HANDBRAKE AND OVERRUN ASSEMBLY	FV66631	1	
1	A	9BTR 2530-99-832-1565	.. LEVER, HAND CONTROL, welded assy	FV666337	1	
2	A	9BTR 2530-99-831-7472	.. LATCH, HANDBRAKE LEVER	EC007749A	1	
3		NP	.. LATCH, PIVOT ARM	EC14425A	1	
4		NP	.. RIVET	EC15620A	1	
5		NP	.. RIVET	EC15619A	1	
6	A	9BTR 2530-99-831-7471	.. NIPPLE, PAWL ROD	EC14420A	1	
7	A	9BTR 2530-99-831-7470	.. ROD, HANDBRAKE PAWL	EC14419A	1	
8	A	9BTR 2530-99-831-7468	.. PAWL, HANDBRAKE	EC14418A	1	
9			.. PIN, COTTER, SPLIT	EC000008A	1	
10	A	9BTR 2530-99-832-1570	.. QUADRANT, CONTROL LEVER	FV666336	1	
11	A	G1 5305-99-941-0527	.. SCREW, MACHINE, UNF, steel, hex hd, Zn coated, 5/16 in. x 1 in. lg		2	
12	A	G1 5310-99-941-6655	.. WASHER, LOCK, steel, 5/16 in.		6	
13	A	G1 5310-99-941-0925	.. NUT, PLAIN, HEXAGON, UNF, steel, Zn coated, 5/16 in.		6	
14	A	9BTR 2520-99-832-1566	.. BRAKE OVERRUN LEVER	FV490937	1	
15	A	9BTR 2530-99-832-1567	.. BUTTON, BRAKE LEVER	FV666344	1	
16	A	6MT1 3120-99-200-2486	.. BEARING, SLEEVE	FV7926	2	
17	A	9BTR 2530-99-848-9244	.. COVER, DUST, LEVER, BRAKE	FV7943	1	
18		NP	.. BRACKET	FV666333	1	
19	A	G1 5306-99-941-0304	.. BOLT, MACHINE, UNF, steel, hex hd, Zn coated, 5/16 in. x 2-3/4 in. lg		4	
20	A	G1 5310-99-135-7200	.. WASHER, FLAT, steel, Zn coated, 5/16 in.		4	
21	A	9BTR 2530-99-832-1569	.. SHAFT, SHOULDERED	FV666335	1	
22	A	G1 5315-99-924-9949	.. PIN, SPRING TENSION, 1/4 in. dia x 1-1/2 in. lg		1	
23	A	9BTR 5360-99-831-7469	.. SPRING, HELICAL, EXTENSION, 1/4 in. dia x 1 in. lg	EC14423A	1	
NI	A	9BTR 3040-99-848-9228	..LINK, CONNECTING RIGID	FV7900	1	

FIG ITEM	MAN.CODE NAVY-N ARMY-A RAF-R	NATO STOCK NUMBER	ITEM NAME AND DESCRIPTION	PART No./ DRAWING No.	No. OFF	ANNOTATIONS
NI		NP	TRAILER, CARGO, 3/4 TONNE - Contd			
NI	A	9BTR	2530-99-660-3979 .. NP HANDBRAKE ASSEMBLY	FV924988	1	Bradley
NI		NP	.. DAMPER, OVERRUN	FV924520	1	
NI		NP	.. BRAKE ROD ASSEMBLY	FV924989	1	
NI		NP	.. HANDBRAKE ASSEMBLY	FV924992	1	SACOL
NI		NP	.. DAMPER OVERRUN	FV924995	1	
NI		NP	.. BRAKE ROD ASSEMBLY	FV924993	1	
NI	A	9BTR	5315-99-848-9224 .. NP HANDBRAKE ASSEMBLIES	FV7867	2	
NI	A	9BTR	2530-99-848-9233 .. PIN, STRAIGHT HEADLESS	FV7910	2	
NI	A	9BTR	2530-99-848-9234 .. WASHER, LOCATING, SPRING, ROD BRAKE	FV7911	1	
NI	A	9BTR	2530-99-848-9234 .. LOCK, SPRING, RETURN ROD BRAKE	FV7912	1	
NI	A	9BTR	2530-99-848-9235 .. LOCKNUT, SPRING, RETURN, ROD BRAKE	FV11556	1	
NI	A	9BTR	5330-99-849-0009 .. WASHER, CONVEX, pad	FV924261	1	
NI		NP	.. FORK END	FV924262	1	
NI		NP	.. KNUCKLE JOINT	FV924298	1	
NI		NP	.. RETURN SPRING	FV924990	1	Bradley
NI		NP	.. BRAKE ROD	FV924994	1	Sacol
NI	A	G1	5310-99-941-8386 .. WASHER, FLAT, heavy duty Zp, 5/16 in.		3	
NI	A	G1	5310-99-941-6628 .. WASHER, LOCK, double coil, Zp, 5/16 in.		1	
NI	A	G1	5315-99-138-2200 .. PIN, COTTER, SPLIT, 1.6 mm x 16 mm dia		2	
NI	A	G1	5305-99-941-0524 .. SCREW, MACHINE, UNF, steel, hex hd, Zp, 5/16 in. x 5/8 in. lg		1	
NI	A	G1	5310-99-136-1515 .. NUT, PLAIN, HEXAGON, UNF, steel Zp, 5/16 in.		1	
NI		NP	.. NUT, SELF LOCKING, HEXAGON, UNF, steel, Zp, 5/16 in.		1	
NI		NP	.. CHANNEL	FV924991	1	
NI	A	G1	5306-99-137-7424 .. BOLT, MACHINE, iso metric, steel, hex hd, M12 x 130 mm lg		4	Sacol Damper
NI	A	G1	5306-99-122-2807 .. BOLT, MACHINE, iso metric, steel, hex hd, M14 x 90 mm lg		2	)Bradley
NI	A	G1	5306-99-122-2787 .. BOLT, MACHINE, iso metric, steel, hex hd, M12 x 45 mm lg		2	)Damper
NI	A	G1	5310-99-122-6477 .. WASHER, FLAT, steel, Zp, M12		2	)
NI		NP	.. WASHER, PLAIN, steel, Zp, heavy gauge, 5/16 in.		2	
NI		NP	.. WASHER, PLAIN, steel, Zp heavy gauge, 9/16 in.		2	
NI		NP	.. NUT, PLAIN, HEXAGON, Iso metric, M14		2	

FIG ITEM	MAN.CODE NAVY-N ARMY-A RAF-R		NATO STOCK NUMBER	ITEM NAME AND DESCRIPTION	PART No./ DRAWING No.	No. OFF	ANNOTATIONS
				TRAILER, CARGO, 3/4 TONNE - Contd			
				. HANDBRAKE ASSEMBLY - Contd			
NI	A	G1	5310-99-139-9037	. NUT, SELF-LOCKING, HEXAGON, iso metric, steel, Zp, M12		2	
NI	A	G1	5310-99-122-5295	. NUT, PLAIN, HEXAGON, iso metric, steel, Zp, M6		2	
NI	A	G1	5310-99-135-9301	. WASHER, LOCK, split helical ring, steel, Cp, M6		2	
NI	A	G1	5310-99-941-6628	. WASHER, LOCK, double, split helical ring, steel, 5/16 in.		2	
NI	A	G1	5315-99-138-2200	. PIN, COTTER, SPLIT, steel, 1.6mm x 16mm lg		2	





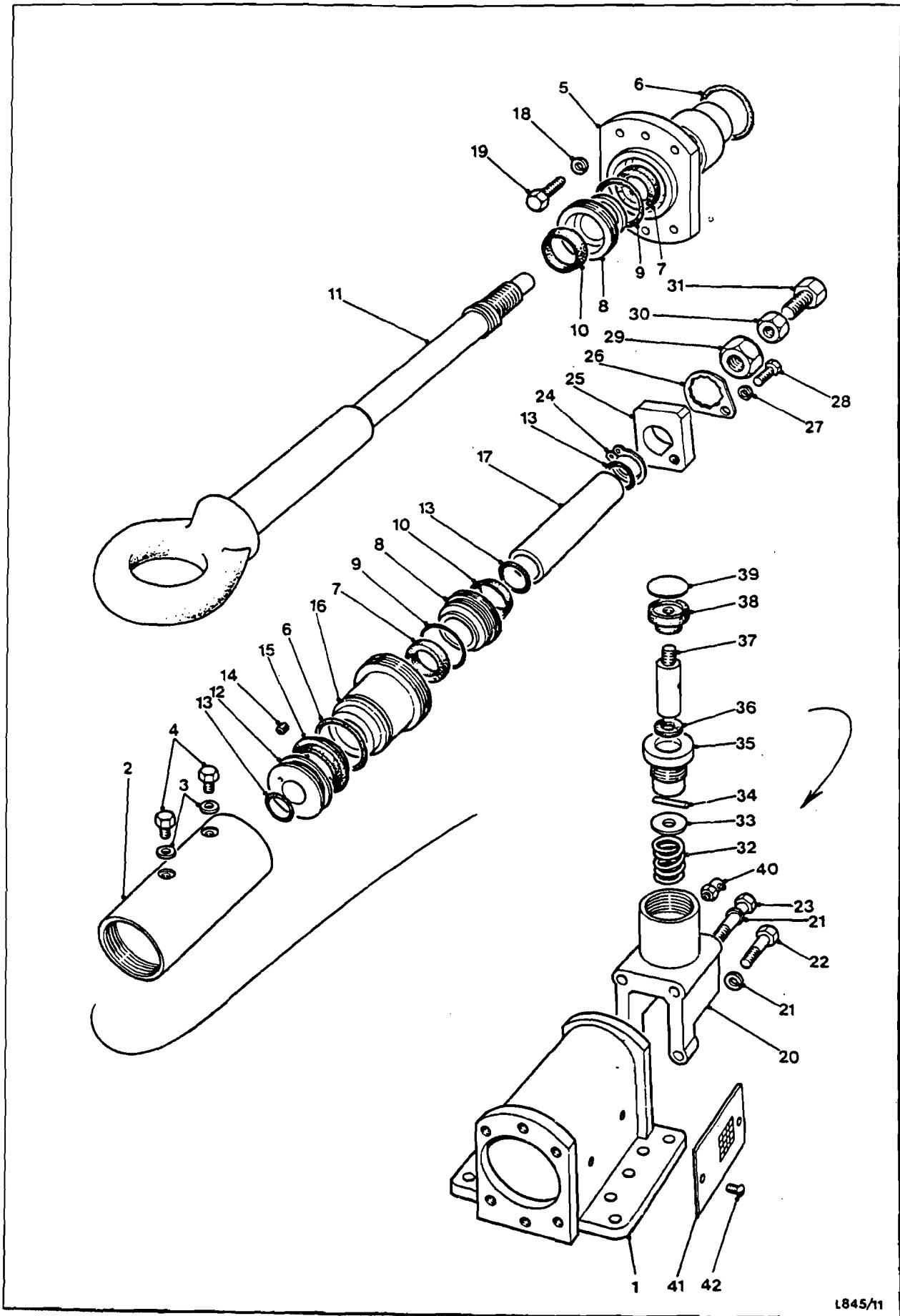
L845/11

Fig.9 Hydraulic damper and draft eye

FIG ITEM	MAN.CODE NAVY-N ARMY-A RAF-R	NATO STOCK NUMBER	ITEM NAME AND DESCRIPTION	PART No./ DRAWING No.	No. OFF	ANNOTATIONS
9-			TRAILER, CARGO, 3/4 TONNE - contd . HANDBRAKE AND OVERRUN ASSEMBLY - contd			
1	A	9BTR 2540-99-829-4549	... DAMPER, ASSEMBLY, OVERRUN, type MD63	FV861719	1	
2		NP	... HOUSING, DAMPER	9904-0635- 13002	1	
3	A	6MT1 5330-99-534-4406	... GASKET, rubber/steel, 0.465 in. id	9904-0635- 01002	1	
4	A	9BTR 5365-99-831-9832	... PLUG, SCREWED, BSP, steel, hex hd, 1/8 in. x 3/8 in. lg	9234-0125- 00001	2	
5		NP	... GLAND, FLANGED	9904-0635- 08001	2	
6	A	6MT1 5330-99-803-5166	... RING, SEALING, TOROIDAL, synthetic rubber, 2-1/4 in. id x 9/64 in. h	9904-0635- 02002	1	
7	A	9BTR 5330-99-831-9842	... RING, SEALING, ROD, polyure- thane, 40 mm id x 50 mm od x 10.5 mm h	9003-8139- 02250	2	
8	A	7TR 2590-99-835-0177	... RETAINER, SEAL, phosphor bronze 2-1/2 in. lg x 1-1/2 in. lg	9121-0101- 00400	2	
9	A	6MT1 5330-99-831-9839	... RING, SEALING, TOROIDAL, synthetic, rubber, 51.6 mm id x 2.4 mm h	9904-0635- 16001	2	
10	A	6MT1 2530-99-831-9843	... RING, WIPER, 40 mm id x 50 mm od x 10 mm h	9001-6024- 00516	2	
11	A	9BTR 2540-99-831-9831	... EYE, TOWING, steel	9121-0064- 00400	2	
12	A	9BTR 2540-99-831-9833	... PISTON, steel, 31.97 mm id x 61.5 mm od x 23.0 mm lg	9904-0635- 05002	1	
13	A	6MT1 5330-99-831-9840	... RING, SEALING, TOROIDAL, rubber, 31.6 mm id x 24 mm h	9904-0635- 06001	1	
14	A	9BTR 4730-99-831-9834	... RESTRICTOR, FLUID FLOW, metric, steel, socket drive, cone point, M6 x 8 mm lg	9001-8024- 00316	3	
15	A	6MT1 5330-99-831-9841	... PACKING ASSEMBLY, rubber, 53 mm id x 63 mm od x 11 mm thk	9900-0501- 09001	1	
16		NP	... GLAND, PLAIN	91091-0003- 00630	1	
17		NP	... SPACER, TUBE	9904-0635- 02001	1	
18	A	G1 5310-99-135-9303	... WASHER, LOCK, steel, single coil, Cd plated, M10	9904-0635- 01004	1	
19	A	G1 5305-99-122-4911	... SCREW, MACHINE, metric, steel, hex hd, Zn coated, M10 x 30 mm lg		6	



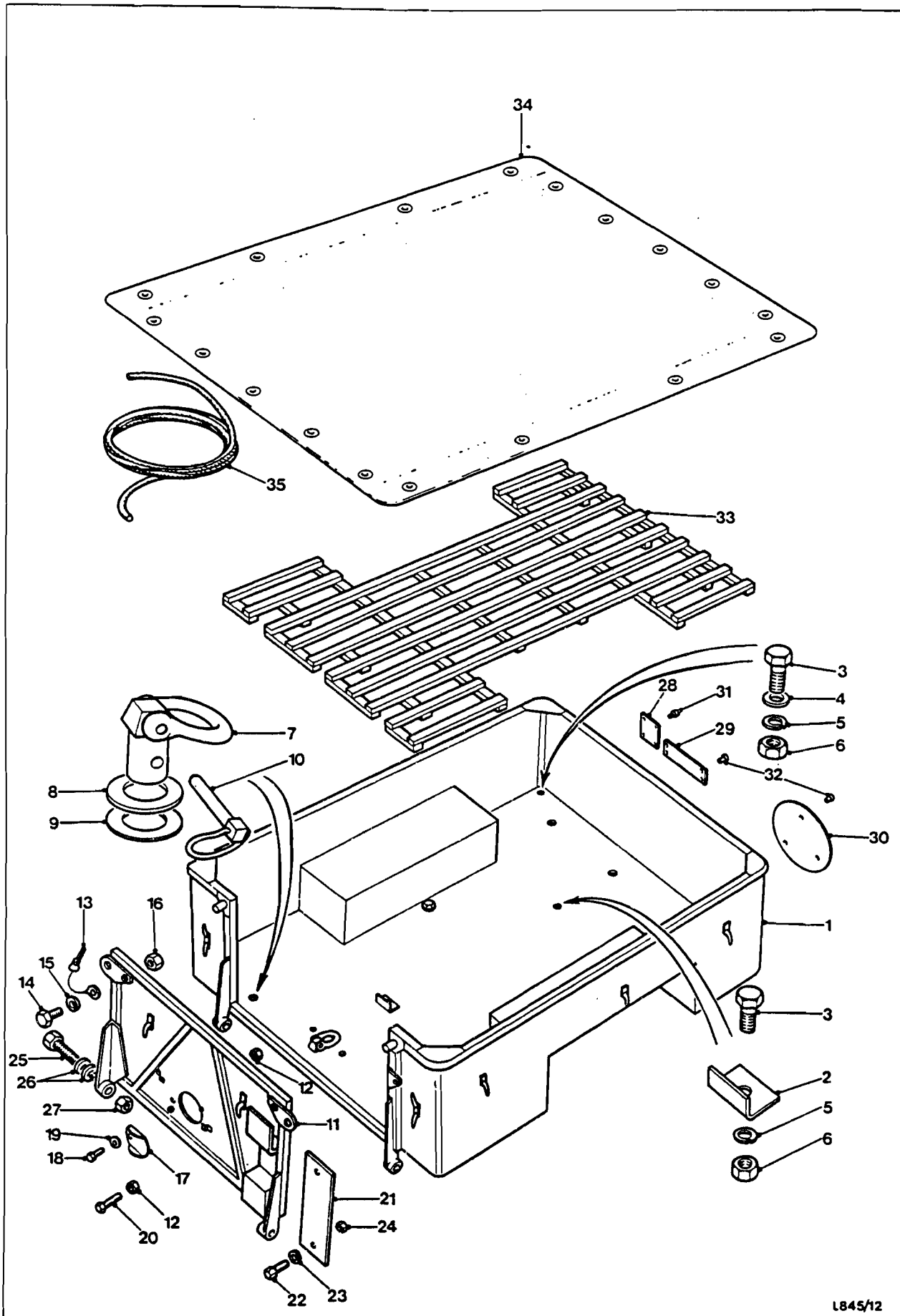
FIG ITEM	MAN CODE NAVY-N ARMY-A RAF-R	NATO STOCK NUMBER	ITEM NAME AND DESCRIPTION	PART No./ DRAWING No.	No. OFF	ANNOTATIONS
9-			TRAILER, CARGO, 3/4 TONNE - contd . HANDBRAKE AND OVERRUN ASSEMBLY - contd .. DAMPER, ASSEMBLY, OVERRUN - contd			
20	A	9BTR	2540-99-768-4483 ... STOP ASSEMBLY, REVERSING	9904-0635- 22001	1	
21	A	G1	5310-99-137-9231 ... WASHER, LOCK, steel, single coil, Zn coated, M8	9232-0800- 00004	4	
22	A	G1	5305-99-122-5367 ... SCREW, MACHINE, metric, steel, hex hd, Zn coated, M8 x 25 mm lg	9202-0812- 00003		
23	A	G1	5306-99-122-5260 ... BOLT, MACHINE, metric, steel, hex hd, Zn coated, M8 x 75 mm lg		2	
24	A	6MT2	5365-99-910-8244 ... RING, RETAINING, steel, ext, phosphated, 30 mm	1400-30M	1	
25		NP	... WASHER, ANTI-ROLL	9904-0635- 07001	1	
26	A	9BTR	5315-99-139-7465 ... WASHER, LOCK, steel, Cd plated, 52.0 mm w x 62.0 mm lg x 2.03 mm thk	9904-0635- 07002	1	
27	A	G1	5310-99-135-9301 ... WASHER, LOCK, steel, single coil, Cd plated, M6		1	
28	A	G1	5305-99-122-5359 ... SCREW, MACHINE, metric, steel, hex hd, Zn coated, M6 x 12 mm lg		1	
29	A	9BTR	2540-99-831-9836 ... NUT, SPECIAL, metric, steel, Cd plated, M30	9904-0635- 04001	1	
30	A	G1	5310-99-941-0908 ... NUT, PLAIN, HEXAGON, UNF, steel, Zn coated, 5/8 in.		1	
31	A	9BTR	5306-99-810-0709 ... BOLT, MACHINE, UNF, steel, crowned hex hd, Zn coated, 5/8 in. x 2-1/8 in. lg		1	
32	A	6MT1	5630-99-831-9845 ... SPRING, HELICAL, COMPRESSION, steel, 7/8 in. od x 1-1/4 in. lg	303610.	1	) Flexo ) Steels Ltd
33	A	9BTR	3120-99-831-9837 ... WASHER, THRUST, steel, Cd plated, 18.20 mm id x 24 mm od x 1.5 mm thk	9904-0635- 07003	1	
34	A	G1	5315-99-126-5351 ... PIN, SPRING, steel, 4 mm x 32 mm lg		1	
35		NP	... CAP PLUNGER	9904-0635- 11001	1	
36	A	6MT1	2530-99-831-9844 ... RING, WIPER, synthetic rubber, 18 mm id x 26 mm od x 6 mm h	WM018026	1	) Hall and ) Hall Ltd
37	A	9BTR	2540-99-831-9835 ... PLUNGER, steel, Cr plated, 18 mm dia x 86 mm lg	9904-0635- 10001	1	
NI	A	G1	5310-99-138-8379 ... WASHER, LOCK, steel, M6		1	



L845/11

Fig.9 Hydraulic damper and draft eye

FIG ITEM	MAN.CODE NAVY-N ARMY-A RAF-R	NATO STOCK NUMBER	ITEM NAME AND DESCRIPTION	PART No./ DRAWING No.	No. OFF	ANNOTATIONS
9-			TRAILER, CARGO, 3/4 TONNE, contd . HANDBRAKE AND OVERRUN ASSEMBLY - contd .. DAMPER HYDRAULIC TOWBAR - contd			
38	A	9BTR 5310-99-831-9838	... HANDNUT, metric, steel, 10 mm	9904-0635- 04002	1	
39		NP	... LABEL HANDNUT	9904-0635- 03004	1	
40	A	6MT1 4730-99-943-9383	... LUBRICATING NIPPLE, angle type, BSP, 1/8 in.		1	
41		NP	... PLATE MODIFICATION RECORD	9904-0635- 03002	1	
42		NP	... SCREW, DRIVE	9210-0000- 00002	2	
NI	A	G1 5305-99-122-3353	... SCREW, MACHINE, iso metric, steel, hex hd, 8 mm x 1.25 mm lg		2	
NI	A	G1 5306-99-124-3605	... BOLT, MACHINE, iso metric, steel, hex hd, 8 mm x 1.25 mm lg		2	
NI	A	G1 5310-99-208-6459	... WASHER, LOCK, split helical ring, steel, 10 mm		6	
NI	A	9BTR 2540-99-256-0244	.. DAMPER ASSEMBLY, OVERRUN, c/w eye, type MH27	FV2124172	1	
NI	A	9BTR 2540-99-700-2237	... DAMPER, gas, 185 mm lg compressed x 245 mm lg extended	H43380000200	1	
NI	A	9BTR 5340-99-350-8213	... BELLOWS, protection	D1123/2	1	
NI	A	W2 5340-99-782-3428	... STRAP, retaining steel	H00391000402	1	
NI	A	9BTR 2540-99-630-1959	... STRAP, steel	H00391000405	1	
NI	A	9BTR 5315-99-811-3950	... PIN, GROOVED, HEADED, steel	H46811008900	1	
NI	A	9BTR 5365-99-304-1212	... CIRCLIP	M60140001241	1	
NI	A	9BTR 2540-99-299-8148	... DRAWTUBE AND EYE ASSEMBLY	H46120000901	1	
NI	A	9BTR 5315-99-700-2238	... PIN, GROOVED, HEADED	H46375008200	1	
NI	A	9BTR 5365-99-762-1597	... CIRCLIP	M60140002041	1	
NI	A	9BTR 5305-99-942-1443	... SCREW, MACHINE, iso metric, steel, domed hex hd, Cd plated M16 x 38 mm lg	H46705008900	1	
NI	A	G1 5310-99-136-4076	... NUT, PLAIN, HEXAGON, M16		1	
NI	A	9BTR 2540-99-299-8149	... STOP, REV ASSEMBLY	H46137000900	1	
NI	A	9BTR 5306-99-075-0144	... SPRING, HELICAL, COMPRESSION	H46550058200	1	
NI	A	9BTR 9905-99-214-5485	... PLATE, INSTRUCTION warning fixed eye	H00850330905	1	
NI	A	9BTR 9905-99-700-2239	... PLATE, IDENTIFICATION overrun damper type MH27	H47850330900	1	

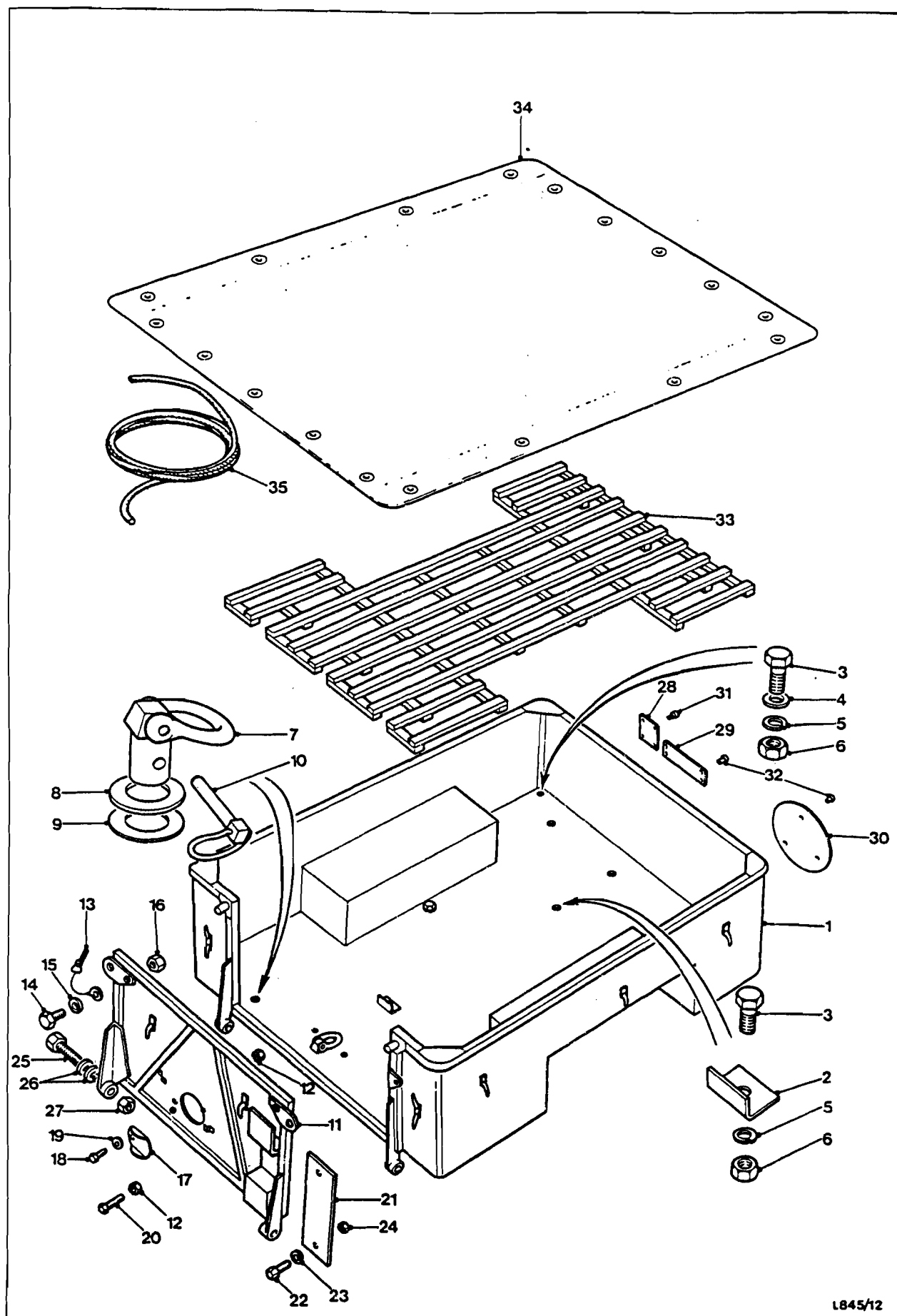


L845/12

Fig. 10 Body

FIG ITEM	MAN.CODE NAVY-N ARMY-A RAF-R	NATO STOCK NUMBER	ITEM NAME AND DESCRIPTION	PART No./ DRAWING No.	No. OFF	ANNOTATIONS
10-			TRAILER, CARGO, 3/4 TONNE - contd			
1		NP	.. TRAILER BODY ASSEMBLY	FV861721	1	
2		NP	.. LOCATION STRIP, L shape	FV861739	A/R	Cut to length
3	A	G1 5305-99-941-0526	.. SCREW, MACHINE, UNF, steel, hex hd, Zn coated, 5/16 in. x 7/8 in. lg		8	
4	A	Z2 5310-99-941-8386	.. WASHER, FLAT, steel, Zn coated, 5/16 in.		6	
5	A	G1 5310-99-941-6655	.. WASHER, LOCK, steel, single coil, sq sect., 5/16 in.		8	
6	A	G1 5310-99-941-0925	.. NUT, PLAIN, HEXAGON, UNF, steel, Zn coated, 5/16 in.		8	
7	A	6MT13 2540-99-812-9342	.. SHACKLE ASSEMBLY	FV702033	6	
8	A	G1 5310-99-432-2284	.. WASHER, FLAT, steel, Cd plated, heavy gauge, 1 in.		6	
9	A	G1 5310-99-941-6747	.. WASHER, FLAT, steel, Cd plated, light gauge, 1 in.		6	
10	A	G1 5315-99-203-8739	.. PIN, SPRING, steel		6	
11	A	9BTR 2510-99-830-6791	.. TAILGATE ASSEMBLY	FV861726	1	
12	A	G1 5310-99-710-6980	.. NUT, SELF-LOCKING, UNF, steel, hex, metal, Cd plated, 1/4 in.		2	
13	A	9BTR 2540-99-831-9830	.. PIN AND RING ASSEMBLY	FV861978	2	
14	A	G1 5306-99-941-6190	.. SCREW, MACHINE, UNF, steel, hex hd, Cd plated, no. 10 x 1/2 in. lg		2	
15	A	G1 5310-99-941-6653	.. WASHER, LOCK, steel, single coil, sq sect., 3/16 in.		2	
16	A	G1 5310-99-941-2419	.. NUT, PLAIN, HEXAGON, UNF, steel, Cd plated, no. 10		2	
17	A	NP	.. CLOSURE PLATE	FV746831	1	
18	A	G1 5305-99-941-0512	.. SCREW, MACHINE, UNF, steel, hex hd, Zn coated, 1/4 in. x 5/8 in.		1	
19	A	G1 5310-99-134-6098	.. WASHER, FLAT, steel, Zn coated, 1/4 in.		1	
20	A	G1 5305-99-941-0279	.. SCREW, MACHINE, UNF, steel, hex hd, Zn coated, 1.4 in. x 7/8 in. lg		1	
21	A	NP	.. NUMBER PLATE	FV607197	1	
22	A	G1 5305-99-941-0513	.. SCREW, MACHINE, UNF, steel, hex hd, Zn coated, 1/4 in. x 3/4 in. lg		2	
23	A	G1 5310-99-941-6654	.. WASHER, LOCK, steel, single, coil, sq sect., Zn coated, 1/4 in.		2	
24	A	G1 5310-99-941-6653	.. NUT, PLAIN, HEXAGON, UNF, steel, Zn coated, 1/4 in.		2	
25	A	G1 5306-99-941-0316	.. BOLT, MACHINE, UNF, steel, hex hd, Zn coated, 3/8 in. x 2-1/4 in.		2	
26	A	G1 5310-99-941-7948	.. WASHER, FLAT, steel, 3/8 in.		4	





L845/12

Fig. 10 Body

FIG ITEM	MAN.CODE NAVY-N ARMY-A RAF-R	NATO STOCK NUMBER	ITEM NAME AND DESCRIPTION	PART No./ DRAWING No.	No. OFF	ANNOTATIONS
10-			TRAILER, CARGO, 3/4 TONNE - contd			
			. TRAILER BODY ASSEMBLY - contd			
27	A G1	5310-99-943-4299	.. PIN AND RING ASSEMBLY, hex hd, nylon insert, 3/8 in.		2	
28	A 6MT1	9905-99-901-3287	.. PLATE, MODIFICATION RECORD	FV133030	1	
29		NP	.. PLATE, INSCRIPTION	FV130671	1	
30		NP	.. PLATE, BRIDGE	FV7773	1	
31	A G1	5320-99-122-1196	.. RIVET, steel, 1/16 in. x 1/4 in. lg		4	
32	A G1	5320-99-437-0983	.. RIVET, steel, 1/8 in. x 1/4 in. lg		7	
33	A 9BTR	2590-99-830-6793	.. DUCK BOARD	FV861740	1	
34	A 9BTR	2590-99-830-6792	.. COVER, CANVAS, TRAILER	FV861727	1	
35	A H2	4020-99-942-5040	... ROPE, SISAL, 5/16 in. x 30 ft lg		A/R	Bulk order by footage

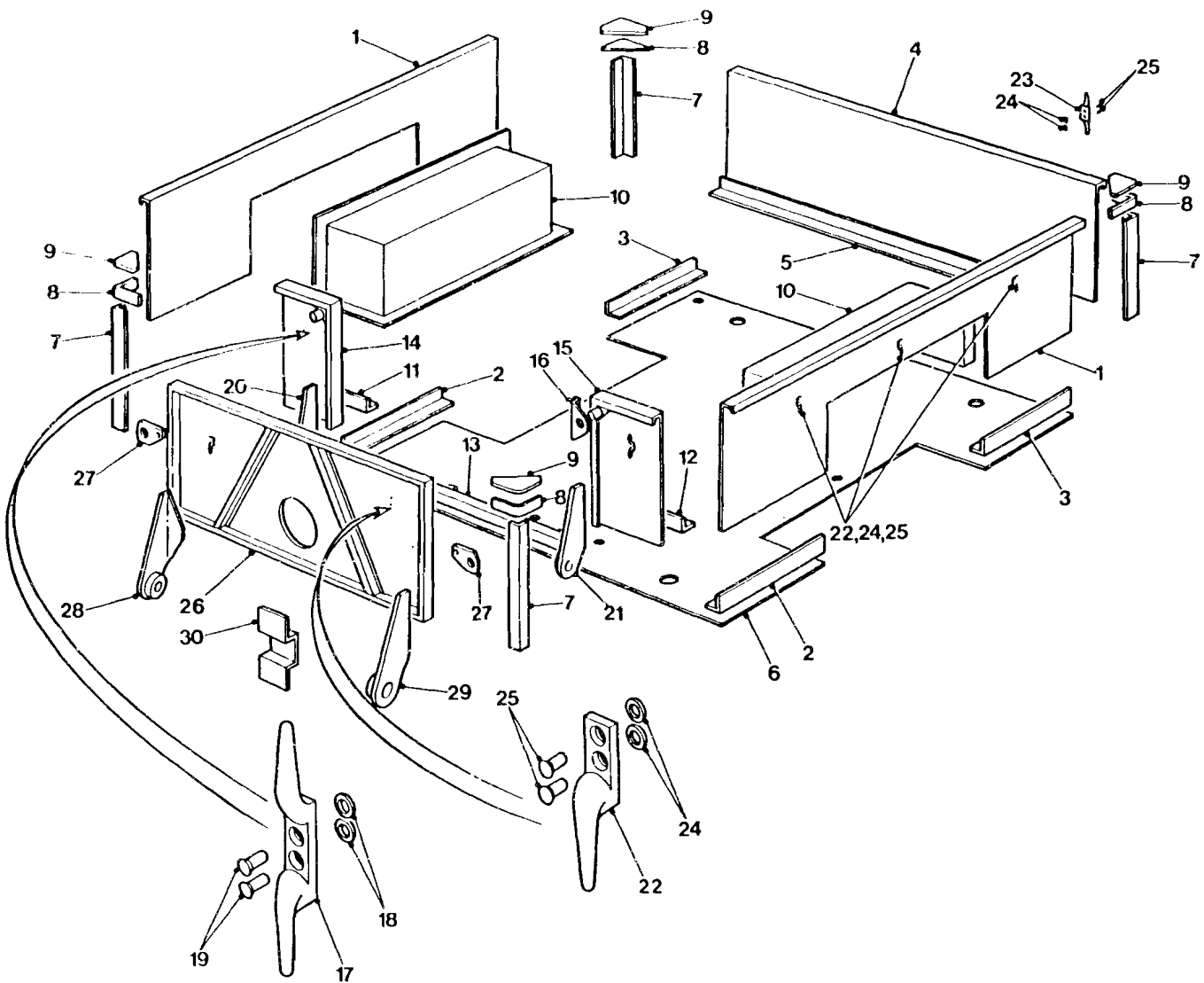


Fig. 11 Body sections

1845/13

FIG ITEM	MAN.CODE NAVY-N ARMY-A RAF-R	NATO STOCK NUMBER	ITEM NAME AND DESCRIPTION	PART No./ DRAWING No.	No. OFF	ANNOTATIONS
11-			TRAILER, CARGO, 3/4 TONNE - contd . TRAILER BODY ASSEMBLY - contd			)Welded )sections
1		NP	.. PANEL, SIDE	FV861724	2	
2		NP	.. ANGLE, front	FV861733	2	
3		NP	.. ANGLE, rear	FV861732	2	
4		NP	.. HEADBOARD	FV861723	1	
5		NP	.. ANGLE, headboard	FV861731	1	
6		NP	.. PANEL, FLOOR	FV861730	1	
7		NP	.. ANGLE, corner	FV861736	4	
8		NP	.. CORNER STRIP	FV861738	4	
9		NP	.. GUSSET	FV861737	4	
10		NP	.. MUDWING	FV861729	2	
11		NP	.. ANGLE, rear lh	FV861734	1	
12		NP	.. ANGLE, rear rh	FV861735	1	
NI		NP	.. REAR PANELS, lh and rh	FV861725	1	
13		NP	... REAR RAIL	FV861750	1	
14		NP	... PANEL ASSEMBLY, lh	FV861746	1	
15		NP	... PANEL ASSEMBLY, rh	FV861747	1	
NI	A	6MT13 5340-99-825-3026	....PACKING PIECE	FV746897	2	
16		NP	.... BRACKET, LAMP, REAR	FV861759	1	
17	A	6MT13 5340-99-804-7030	... CLEAT, ROPE, double		2	
18	A	G1 5310-99-710-6980	... WASHER, FLAT, steel, Zn coated, 1/4 in.		4	
19	A	G1 5320-99-120-3878	... RIVET, SOLID, steel, snap hd, 1/4 in. x 5/8 in. lg		4	
20		NP	... HINGE PLATE ASSEMBLY, lh	FV666423	1	
21		NP	... HINGE PLATE ASSEMBLY, rh	FV666424	1	
22	A	6MT13 5340-99-821-1372	.. CLEAT ROPE, single		8	)Body side )and front
23	A	6MT13 5340-99-804-7030	.. CLEAT ROPE, double		2	)Body )front
24	A	G1 5310-99-710-6980	.. WASHER, FLAT, 1/4 in.		20	
25	A	G1 5320-99-120-3878	.. RIVET, SOLID, steel, snap hd, 1/4 in. x 5/8 in. lg		20	
26	A	9BTR 2510-99-830-6791	.. TAILGATE ASSEMBLY	FV861726	1	
27		NP	... CATCH BRACKET	FV861771	2	
28		NP	... HINGE BRACKET ASSEMBLY, lh	FV666421	1	
29		NP	... HINGE BRACKET ASSEMBLY, rh	FV666422	1	
30		NP	... PLATE SUPPORT	FV861770	1	
NI	A	G1 5306-99-941-0316	.. BOLT, MACHINE, UNF, steel, hex hd, Zn plated, 3/8 in. x 2-1/4 in. lg		2	Tool steel
NI	A	G1 5305-99-941-0526	.. SCREW, MACHINE, UNF, steel, hex hd, Zn plated, 5/16 in. x 7/8 in. lg		8	
NI	A	G1 5310-99-203-8739	.. PIN, spring, steel, 3/8 in. dia x 1-1/2 in. lg		6	
NI	A	G1 5310-99-941-7948	.. WASHER, FLAT, steel, Cd plated, 3/8 in.		6	
NI	A	G1 5310-99-432-2284	.. WASHER, FLAT, steel, 1 in.		6	8 SWG

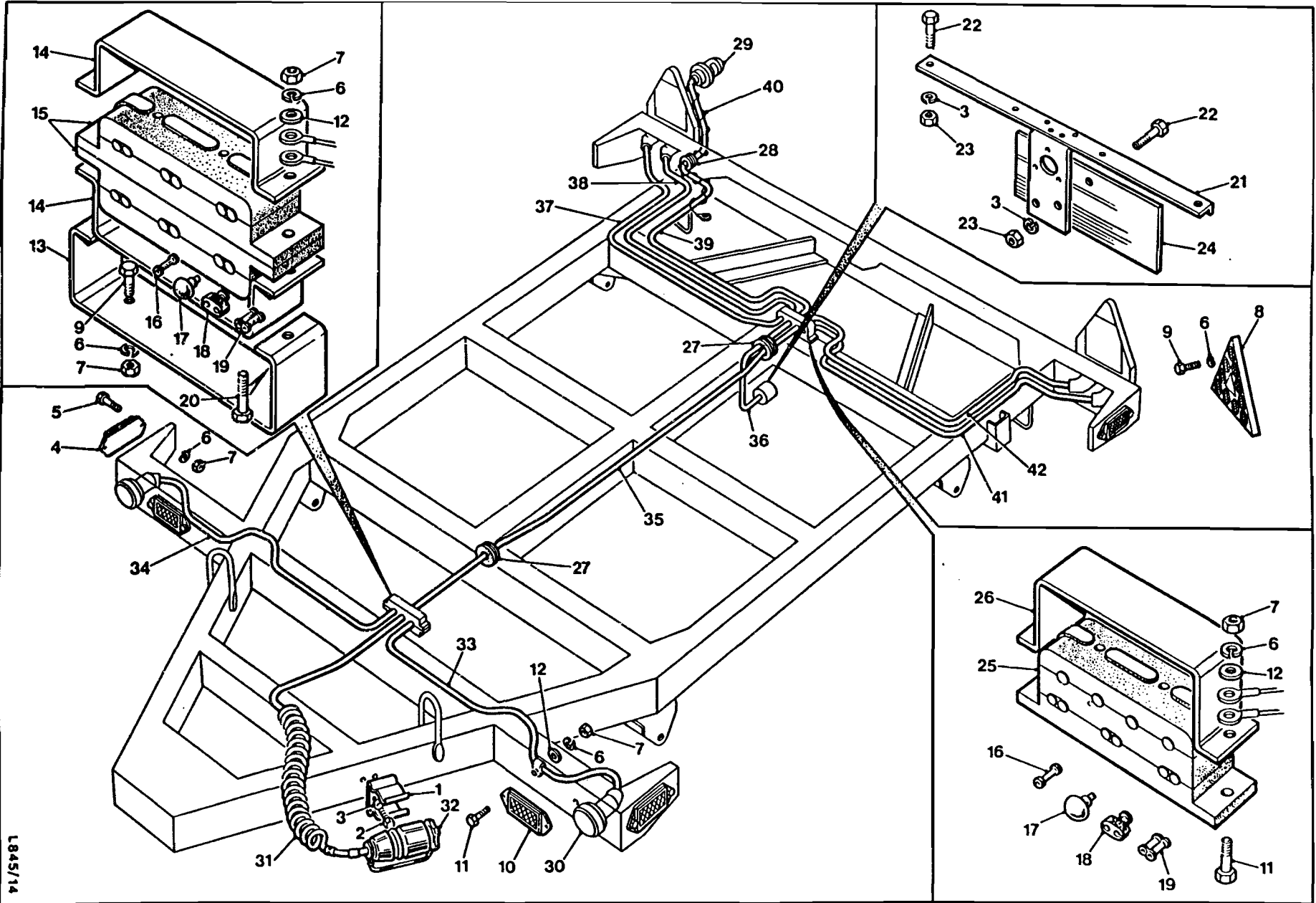


Fig.12 Electrical wiring

L845/14

FIG ITEM	MAN.CODE NAVY-N ARMY-A RAF-R	NATO STOCK NUMBER	ITEM NAME AND DESCRIPTION	PART No./ DRAWING No.	No. OFF	ANNOTATIONS
12-			TRAILER, CARGO, 3/4 TONNE - contd			
1	A	9BTR	5340-99-874-2272 .. ELECTRICAL SYSTEM	FV861718	1	
			.. CLIP, SPRING, TRAILER SOCKET	FV556226	1	
NI	A	6MT3	5340-99-810-2181 .. CLAMP, LOOP, NYLON, 7/16 in. dia			
			grip x 13/64 in. dia fixing	FV653524	26	
2	A	G1	5305-99-941-0511 .. SCREW, MACHINE, UNF, steel,			
			hex hd, Zn coated, 1/4 in. x			
			1/2 in. lg		2	
3	A	G1	5310-99-941-6654 .. WASHER, LOCK, steel, single			
			coll, sq sect., 1/4 in.		6	
4	A	6MT3	9905-99-825-9593 .. REFLECTOR, INDICATING,			
			CLEARANCE, amber	FV817186	4	
5	A	G1	5305-99-941-8894 .. SCREW, MACHINE, UNF, steel,			
			hex hd, Zn coated, no. 10 x			
			3/4 in. lg		8	
6	A	G1	5310-99-941-6653 .. WASHER, LOCK, steel, single			
			coil, sq. sect., 3/16 in.		30	
7	A	G1	5310-99-941-2419 .. NUT, PLAIN, HEXAGON, UNF, steel,			
			Zn coated, no. 10		18	
8	A	6MT3	9905-99-206-6267 .. REFLECTOR, INDICATING,			
			CLEARANCE, trailer plate	LAB781	2	
9	A	G1	5305-99-941-6190 .. SCREW, MACHINE, UNF, steel,			
			hex hd, Zn coated, no. 10 x			
			1/2 in. lg		14	
10	A	6MT3	9905-99-825-9594 .. REFLECTOR, INDICATING,			
			CLEARANCE, clear	FV817187	2	
11	A	G1	5305-99-940-8895 .. SCREW, MACHINE, UNF, steel,			
			hex hd, Zn coated, no. 10 x			
			1 in. lg		6	
12	A	G1	5310-99-954-7406 .. WASHER, FLAT, steel, Zn coated,			
			0.202 in. ld		4	
15	A	6MT4	5935-99-805-2864 .. CLAMP, ELECTRICAL SOCKET	FV159941	2	
16	A	6MT4	5935-99-805-0220 .. SOCKET, ELECTRICAL	FV169423	15	
17	A	6MT4	5935-99-805-0224 .. INSERT, RESILIENT, synthetic			
			rubber, 1/2 in. dia, 9/16 in. lg	FV169429	8	
18	A	6MT4	5940-99-805-3090 .. ADAPTOR, CLAMP, TWIN			
			CONNECTOR	FV694863	6	
19	A	6MT4	5935-99-805-0221 .. SOCKET, ELECTRICAL, free			
			rubber, 2 poles, female shell	FV169424	3	
20	A	G1	5305-99-941-8896 .. SCREW, MACHINE, UNF, steel,			
			hex hd, Zn coated, no. 10 x			
			1-1/2 in. lg		2	
21	A	9BTR	2590-99-832-1587 .. BRACKET, CONVOY PLATE, steel	FV861714	1	
22	A	G1	5305-99-941-0513 .. SCREW, MACHINE, UNF, steel,			
			Zn coated, 1/4 in. x 3/4 in. lg		2	
23	A	G1	5310-99-941-0924 .. NUT, PLAIN, HEXAGON, UNF, steel,			
			Zn coated, 1/4 in.		4	
25	A	6MT4	5935-99-802-6456 .. CLAMP, TERMINAL CONNECTOR	FV229569	1	
27	A	H9	5325-99-941-3499 .. GROMMET, RUBBER, 1-1/2 in. dia,			
			5/32 in. slot		2	



FIG ITEM	MAN.CODE NAVY-N ARMY-A RAF-R	NATO STOCK NUMBER	ITEM NAME AND DESCRIPTION	PART No./ DRAWING No.	No. OFF	ANNOTATIONS
12-			TRAILER, CARGO, 3/4 TONNE, - contd .. ELECTRICAL SYSTEM - contd			
28	A	H9	5325-99-942-3466 .. GROMMET, RUBBER, 1 in. dia, 5.32 in. slot		1	)Number )plate )harness
29	A	6MT3	6220-99-803-2620 .. LIGHT, PANEL, convoy and number plates	FV14933	2	)See )Fig 13
NI	A	6MT3	6220-99-823-9793 .. TAILLIGHT-STOPLIGHT, no. 3, Mk 6	FV760632	2	)
NI	A	6MT3	6220-99-823-9794 .. TURNLIGHT, VEHICULAR, no. 3, Mk 4, 12/24 V, 21 W, rear	FV760733	2	)See )Fig 14
30	A	6MT3	6220-99-828-6034 .. SIDELIGHT, no. 3, Mk 7	FV817224	2	)
31	A	6MT4	2590-99-881-2519 .. CABLE ASSEMBLY, INTERVEHICLE ELECTRICAL	FV324385/1	1	)Trailer )lead
NI	A	Z32	5935-00-059-2841 .. CONNECTOR, FREE, ELECTRICAL, straight shape w/cover, 12 contacts, 28 V	MS75020-1	1	
32	A	Z32	5935-99-117-9230 ... PLUG, ELECTRICAL, c/w dust cover	FV596887	1	
33	A	6MT4	2590-99-820-5017 .. LEAD, ELECTRICAL	FV166011/76N	1	)Sidelight )lh
34	A	6MT4	2590-99-820-5018 .. WIRING HARNESS	FV563655/25N	1	)Sidelight )rh
35		NP	.. WIRING HARNESS	FV563686/12N	1	
36	A	6MT4	2590-99-820-5014 .. WIRING HARNESS	FV563654/2N	1	)Convoy )light
37		NP	.. WIRING, HARNESS	FV563655/381 N	1	)Stop and )tail rh
38	A	6MT4	2590-99-813-5221 .. CABLE AND CONDUIT ASSEMBLY ELECTRICAL	FV563654/ 82N	1	)Turnlight )rh
39	A	6MT4	2590-99-820-5013 .. WIRING HARNESS	FV563651/12N	1	)Number- )plate
40	A	6MT4	2590-99-832-1586 .. LEAD, ELECTRICAL, 1/8 in. dia	FV166874/3	1	)Earth )Wire
41	A	6MT4	2590-99-820-5019 .. WIRING HARNESS	FV563655/71N	1	)Stop and )tail lh
42	A	6MT4	2590-99-820-5015 .. LEAD AND CONDUIT ASSEMBLY ELECTRICAL	FV563654/ 82N	1	)Turnlight )lh
NI	A	6MT4	5340-99-810-2181 .. CLAMP, loop, nylon, 7/16 in. dia grip, single dip	FV653524	8	)
NI	A	G1	5305-99-941-6190 .. SCREW, MACHINE, UNF, steel, hex hd, Zn coated, no. 10 x 1/2 in. lg		6	)Sidelight )and )number
NI	A	G1	5310-99-941-6653 .. WASHER, LOCK, steel, single coil, sq sect., 3/16 in.		6	)plate )harnesses
NI	A	G1	5310-99-941-6747 .. WASHER, FLAT, steel, Cd plated 1 in.		6	8 swg



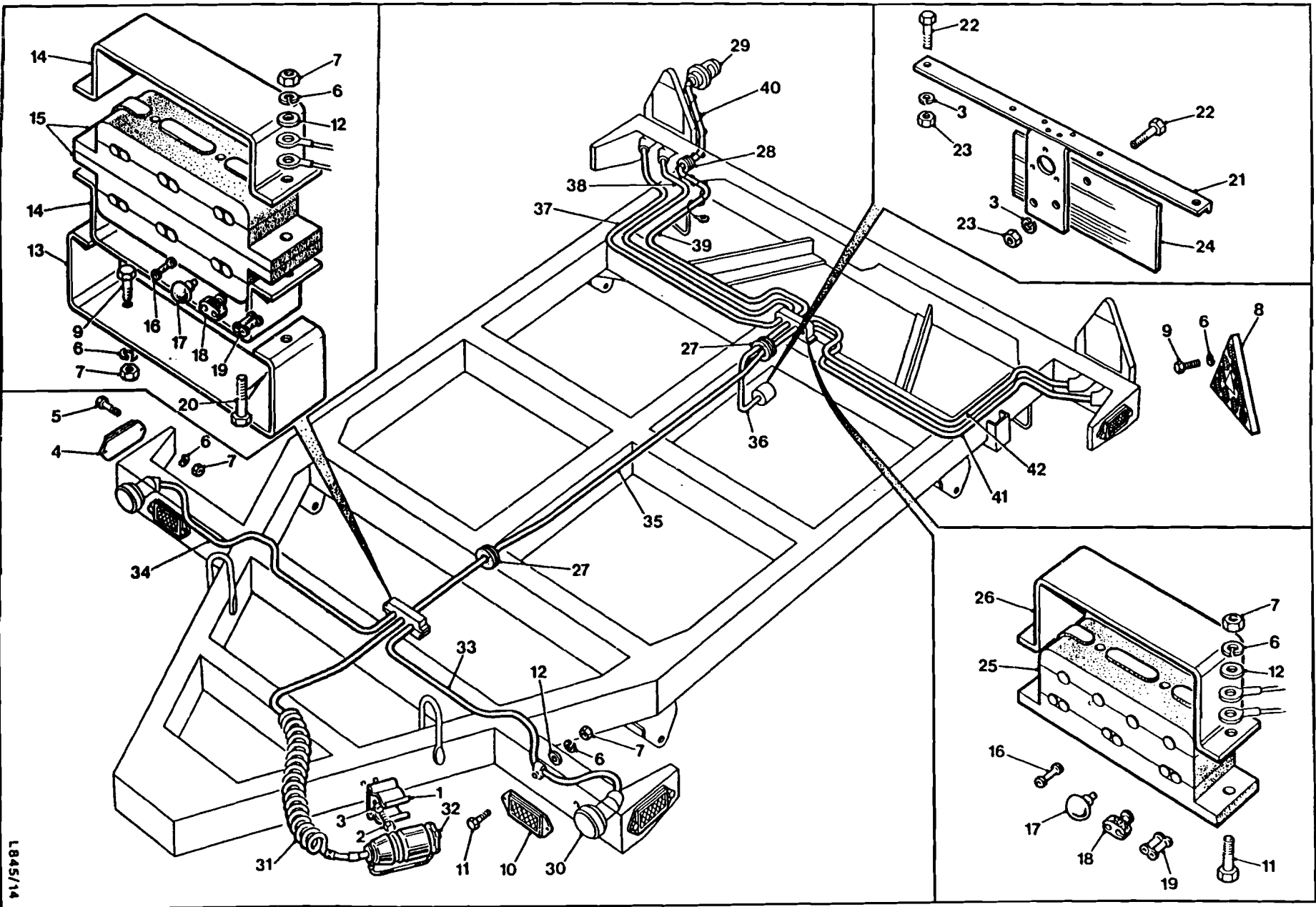


Fig.12 Electrical wiring

FIG ITEM	MAN.CODE NAVY-N ARMY-A RAF-R	NATO STOCK NUMBER	ITEM NAME AND DESCRIPTION	PART No./ DRAWING No.	No. OFF	ANNOTATIONS
12-			TRAILER, CARGO, 3/4 TONNE - contd			
			. ELECTRICAL SYSTEM - contd			
NI	A	6MT4	5340-99-810-2181 .. CLAMP, LOOP, nylon, 7/16 in. dia grip, double clip	FV653524	12	)
NI	A	G1	5305-99-941-6190 .. SCREW, MACHINE, UNF, steel, hex hd, Zn coated, no. 10 x 1/2 in. lg		6	)Turn and rear light
NI	A	G1	5310-99-941-6653 .. WASHER, LOCK, steel, single coil, sq sect., 3/16 in.		6	)harnesses
NI	A	G1	5310-99-954-7406 .. WASHER, FLAT, steel, Zn coated, 0.202 in. id		6	)
NI	A	6MT4	5340-99-810-2181 .. CLAMP, LOOP, nylon, 7/ 16 in. dia grip, treble clip	FV653524	6	)
NI	A	G1	5305-99-941-6190 .. SCREW, MACHINE, UNF, steel, hex hd, Zn coated, no. 10 x 1/2 in. lg		2	)Turn, rear and number plate
NI	A	G1	5310-99-941-6653 .. WASHER, LOCK, steel, single coil, sq sect., 3/16 in.		2	)light harnesses
NI	A	G1	5310-99-954-7406 .. WASHER, FLAT, steel, Zn coated, 0.202 in. id		2	)
NI	A	6MT4	5340-99-810-2183 .. CLAMP, LOOP, nylon, 5/8 in. dia gripm single clip	FV653526	8	)Trailer
NI	A	G1	5305-99-941-6190 .. SCREW, MACHINE, UNF, steel, hex hd, Zn coated, no. 10 x 1/2 in. lg		8	)harness and connector
NI	A	G1	5310-99-941-6653 .. WASHER, LOCK, steel, single coil, sq. sect., 3/16 in.		8	)block harness
NI	A	G1	5310-99-954-7406 .. WASHER, FLAT, steel, Zn coated, 0.202 in. id		8	)
NI	A	G1	5310-99-941-2419 .. NUT, PLAIN, HEXAGON, UNF, steel, Zn coated, no. 10		7	)
NI	A	6MT4	5340-99-832-1588 .. CLAMP, LOOP, nylon, 7/8 in. dia grip, non std, 13/64 in. dia fixing hole	FV924100	3	)
NI	A	G1	5305-99-941-8894 .. SCREW, MACHINE, UNF, steel, hex hd, Zn coated, no. 10 x 3/4 in. lg		3	)Harness to centre and cross beams
NI	A	G1	5310-99-941-6653 .. WASHER, LOCK, steel, single coil, sq sect., 3/16 in.		3	)
NI	A	G1	5310-99-941-2419 .. NUT, PLAIN, HEXAGON, UNF, steel, Zn coated, no. 10		3	)
NI	A	G1	5310-99-954-7406 .. WASHER, FLAT, steel, Zn coated, 0.202 in. id		6	)

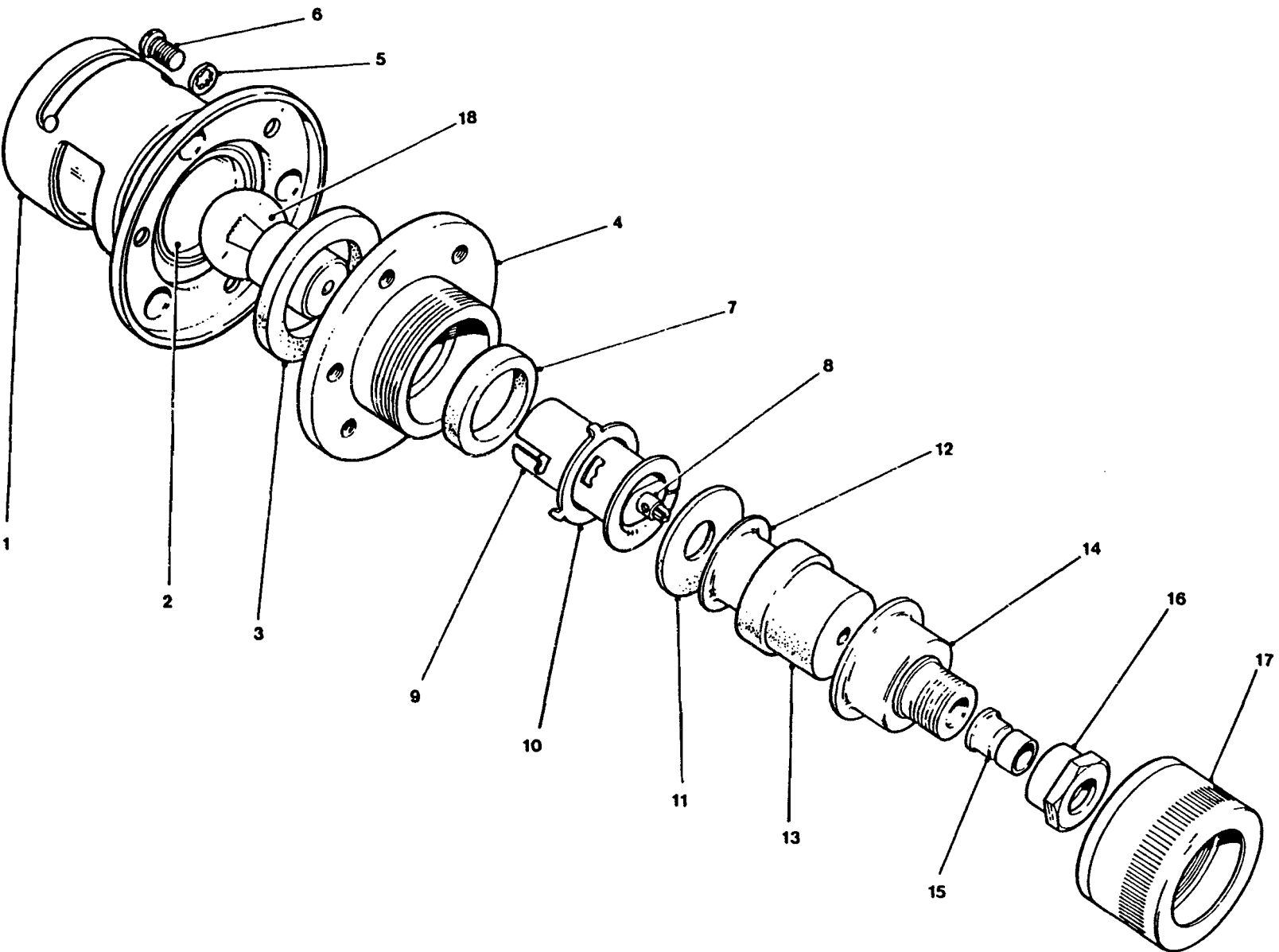


Fig. 13 Panel light.

L 845/15

FIG ITEM	MAN.CODE NAVY-N ARMY-A RAF-R	NATO STOCK NUMBER	ITEM NAME AND DESCRIPTION	PART No./ DRAWING No.	No. OFF	ANNOTATIONS
13-			TRAILER, CARGO, 3/4 TONNE - contd . ELECTRICAL SYSTEM - contd			
1	A	6MT3 6220-99-803-2620	.. LIGHT, PANEL	FV14933	2	)Number )plate and )convoy )lights
2	A	6MT3 6220-99-822-0283	... LENS, LIGHT, registration plate	54525875	1	
3	A	6MT3 5330-99-803-3383	... WASHER, FLAT, rubber, 0.937 in. ld x 1/350 in. od x 0.187 in. thk	573053	1	
4	A	6MT3 6220-99-803-4208	... BLACKPLATE, TAILLIGHT	5730461	1	
5	A	G1 5310-99-941-9448	... WASHER, LOCK, steel, in. flat, Cd plated, no. 4 BA clip		3	
6	A	G1 5305-99-120-2004	... SCREW, MACHINE, BA, steel, Cd plated, no. 4 x 5/16 in. lg		3	
7	A	6MT3 5330-99-803-3380	... WASHER, FLAT, rubber, 0.656 in. ld x 0.975 in. od x 0.187 in. thk	573042	1	
8	A	6MT3 6220-99-803-3390	... LAMPHOLDER SUBASSEMBLY	573085	1	
9	A	6MT3 6220-99-903-3158	... PLUNGER, LAMPHOLDER	552103	1	
10	A	6MT3 6220-99-803-3387	... RING, EARTHING	573066	1	
11	A	6MT3 5330-99-803-3388	... WASHER, FLAT, rubber, 3/8 in. ld x 1 in. od x 15/32 in. thk	573074	1	
12	A	6MT3 6220-99-803-3429	... INSERT, RUBBER BUSHING	574189	1	
13	A	6MT3 5340-99-803-3420	... MOUNT, RESILIENT	573190	1	
14	A	6MT3 5975-99-803-3382	... BUSH, ELECTRICAL CONDUCTOR, steel, Zn coated	573052	1	
15	A	6MT3 5975-99-803-3389	... BUSHING, ELECTRICAL CONDUCTOR, steel, Zn coated, 1/4 in. ld x 29/64 in. od x 1/2 in. lg	573075	1	
16	A	6MT3 6220-99-803-3874	... NUT, PANEL LIGHT	573049	1	
17	A	6MT3 5310-99-805-2690	... NUT, PLAIN, KNURLED	445721	1	
18	A	X5 6240-99-995-2236	.. LAMP, FILAMENT	952236	2	
NI	A	6MT4 5975-99-805-3074	.. ELBOW ASSEMBLY	806417	1	)
NI		NP	.. SPACER	744036	1	)Number
NI	A	G1 5305-99-120-5707	.. SCREW, MACHINE, UNC, steel, hex hd, Zn coated, no. 6 x 7/8 in. lg		3	)plate )light
NI	A	G1 5305-99-914-8039	.. SCREW, MACHINE, UNC, steel, hex hd, Cd plated, no. 6 x 1/2 in. lg		3	) )Convoy )light
NI	A	G1 5310-99-941-6652	.. WASHER, LOCK, steel, single coil, sq sect., no. 4 BA		6	)Number )plate and
NI	A	G1 5310-99-941-2406	.. NUT, PLAIN, HEXAGON, UNC, steel, Zn coated, no. 6		6	)convoy )lights
NI	A	G1 5305-99-941-6190	.. SCREW, MACHINE, UNF, steel, hex hd, Zn plated, no.10 x 1/2 in. lg		21	
NI	A	G1 5305-99-951-7115	.. SCREW, MACHINE, UNF, steel, hex hd, Cd plated, no. 10 x 1 in. lg		6	
NI	A	G1 5305-99-948-0922	.. SCREW, MACHINE, UNF, steel, hex hd, Cd plated, no. 10 x 1-1/2in. lg		2	

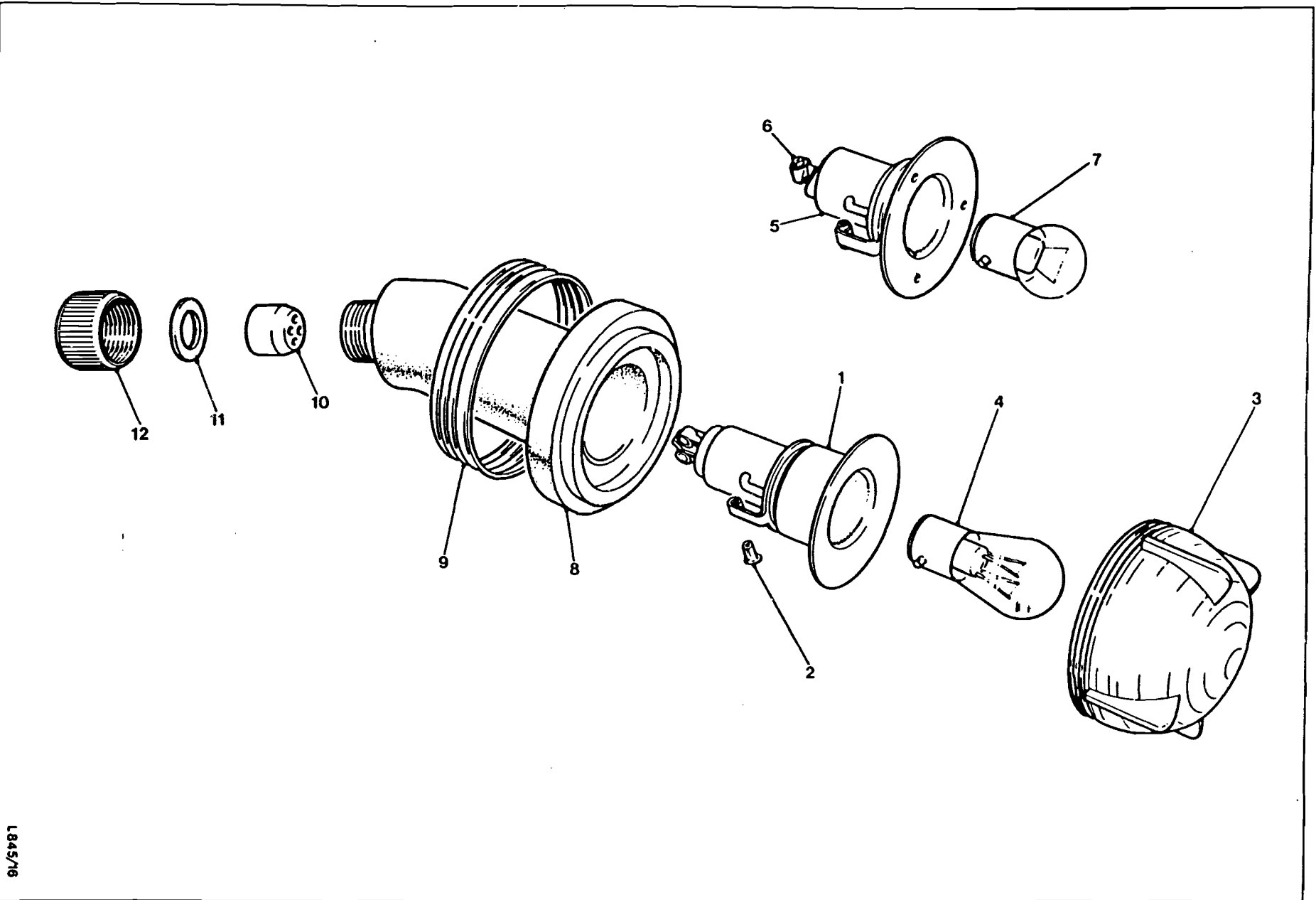


Fig.14 Side, turn and taillight

L845/6

FIG ITEM	MAN.CODE NAVY-N ARMY-A RAF-R	NATO STOCK NUMBER	ITEM NAME AND DESCRIPTION	PART No./ DRAWING No.	No. OFF	ANNOTATIONS
14-			TRAILER, CARGO, 3/4 TONNE - contd			
			. ELECTRICAL SYSTEM - contd			
NI	A	6MT3 6220-99-823-9793	.. TAILLIGHT - STOPLIGHT, no. 3, Mk 6	FV760732	2	
1	A	6MT3 6250-99-828-2883	... LAMPHOLDER, double contact	FV694932	1	
2	A	6MT3 5940-99-803-1952	.... FERRULE, ELECTRICAL CONNECTOR, br, NP, solder type, connection, 1/2 in. lg	188818	3	) Lucas
3	A	6MT3 6220-99-824-7089	... LENS, STOP AND TAILLIGHT, red		1	)
4	A	X5 6240-99-995-3296	.. LAMP, FILAMENT, 28 V, 7W/30 W, SBC, clear	337	2	
NI	A	6MT3 6220-99-823-9794	.. TURNLIGHT, VEHICULAR, no. 3, Mk 4, 12/24 V, 21 W, rear	FV760733	2	
5	A	6MT3 6250-99-828-2884	... LAMPHOLDER, single contact	FV694937	1	
6	A	6MT3 5940-99-803-1952	.... FERRULE, ELECTRICAL CONNECTOR, br, NP, solder type connection, 1/2 in. lg	188818	2	
NI	A	6MT3 6220-99-823-9797	... LENS ASSEMBLY TURNLIGHT, rear assy	41030427	1	
NI	A	X5 6240-99-995-2902	.. LAMP, FILAMENT, PEAR SHAPED 24 V, 21 W, CAP STYLE, SCC		2	
7	A	X5 6240-99-995-3244	.. LAMP, FILAMENT, 24 V, 24 W, SCC, clear		2	
NI	A	X5 6240-99-995-3288	.. LAMP, FILAMENT STRAIGHT SIDES 24 V, 24 W	FV955487	2	
NI	A	6MT3 6220-99-828-6034	.. SIDELIGHT, no. 3, Mk 7	FV817224	2	
NI	A	6MT3 6250-99-821-8556	... LAMPHOLDER AND PLATE ASSEMBLY	FV694915	1	
NI	A	6MT3 5940-99-803-1952	.... FERRULE, ELECTRICAL CONNECTOR, br, NP, solder type connection, 1/2 in. lg	188818	2	
NI	A	6MT3 6320-99-828-6035	... LENS, SIDELIGHT, mounted	FV798047	1	
NI	A	X5 6240-99-995-9813	.. LAMP FILAMENT, 28 V, 5 W, SCC, G shape, clear		2	
8		NP	. TAILLIGHT, TURNLIGHTS AND SIDELIGHTS - .. BODY, LIGHT FITTING, synthetic rubber	576203	1	
9	A	6MT3 6220-99-408-2494	.. BASE, LIGHT	576207	1	
10	A	6MT3 6220-99-821-5663	.. SEALING CONE, synthetic rubber, 0.595 in. od x 0.375 in. lg, 4 holes	FV694928	1	
NI	A	6MT3 6220-99-835-0444	. LIGHT, FOG, high intensity rear guard, SCC cap, red glass lens	FV939003	2	

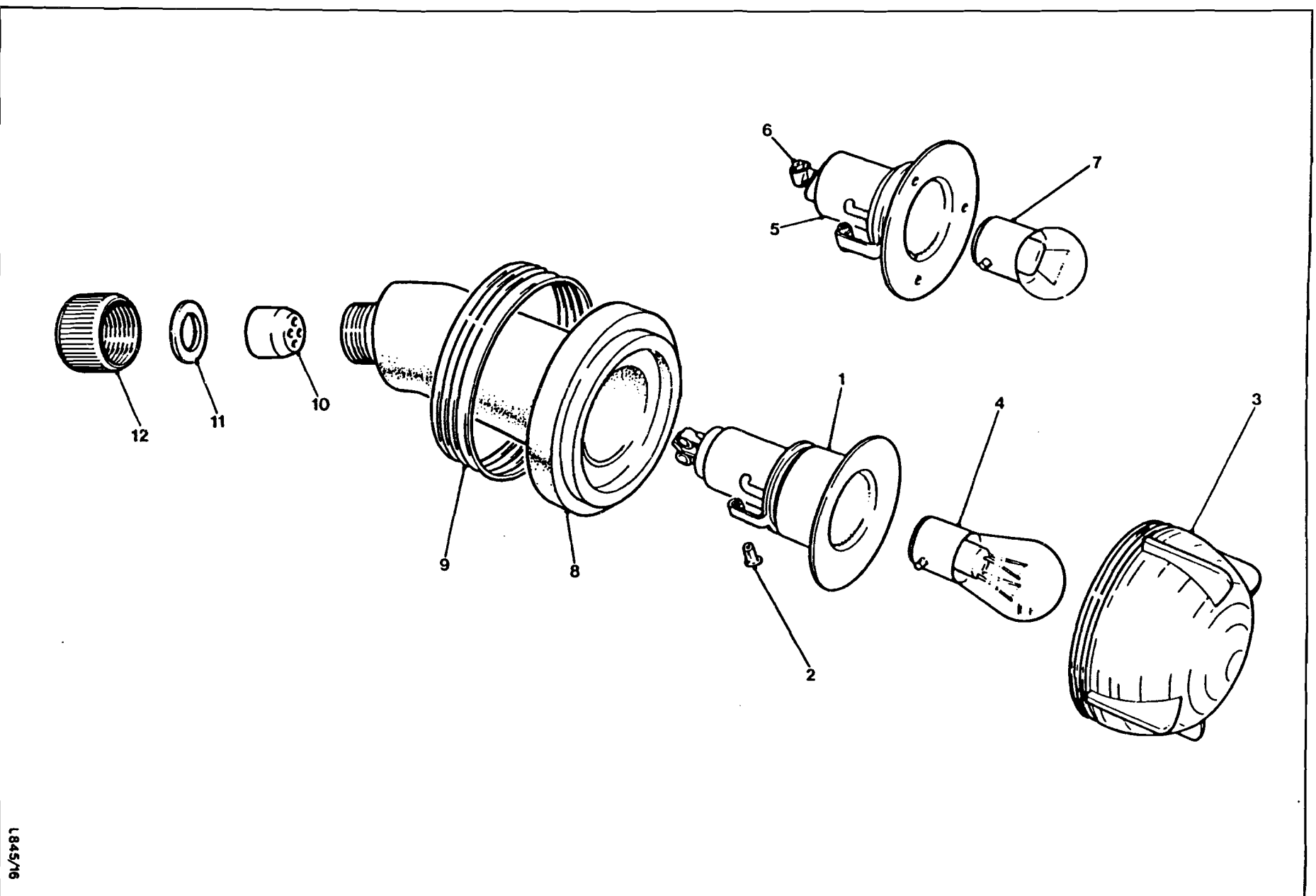


Fig.14 Side, turn and tailight

L845/16

FIG ITEM	MAN.CODE NAVY-N ARMY-A RAF-R	NATO STOCK NUMBER	ITEM NAME AND DESCRIPTION	PART No./ DRAWING No.	No. OFF	ANNOTATIONS
14-			TRAILER, CARGO, 3/4 TONNE - contd			
11	A	6MT4	5310-99-805-6455 .. WASHER, FLAT, br, Cd plated, 7/16 in. id x 5.8 in. od x 1/16 in. thk	860774	1	
12	A	6MT3	5310-99-822-0198 .. NUT, COUPLING, Whit form, steel, 0.692 in.	54931028	1	
NI	A	G1	5310-99-941-6652 .. WASHER, LOCK, single coil, sq sect., no. 4 BA		18	) Lights to ) trailer
NI	A	G1	5310-99-941-2406 .. NUT, PLAIN, HEXAGON, UNC, steel, Zn coated, no. 6		18	)
NI	A	G1	5305-99-941-0511 .. SCREW, MACHINE, UNF, steel, hex hd, Zn plated, 1/4 in. x 1/2 in. lg		3	
NI	A	G1	5305-99-941-0279 .. SCREW, MACHINE, UNF, steel, hex hd, Zn plated, 1/4 in. x 7/8 in. lg		3	
NI	A	G1	5310-99-941-6652 .. WASHER, LOCK, steel, split helical ring, 0.168 in. id		24	
NI	A	G1	5310-99-945-8431 .. NUT, PLAIN, HEXAGON, UNC, steel, Cd plated, no. 6		24	
NI	A	G1	5305-99-941-6190 .. SCREW, MACHINE, UNF, steel, hex hd, Zn plated, no.10 x 1/2 in. lg		21	
NI	A	G1	5305-99-951-7115 .. SCREW, MACHINE, UNF, steel, hex hd, Cd plated, no. 10 x 1 in. lg		6	
NI	A	G1	5305-99-948-0922 .. SCREW, MACHINE, UNF, steel, hex hd, Cd plated, no. 10 x 1-1/2 in. lg		2	
NI	A	G1	5310-99-941-8569 .. WASHER, FLAT, steel, Zp, no. 10		15	
NI	A	G1	5310-99-710-6980 .. NUT, SELF-LOCKING, DOUBLE HEXAGON, UNF, steel, Cd plated 1/4 in.		2	
NI	A	G1	5310-99-134-6098 .. WASHER, FLAT, steel, chromium plated, 1/4 in.		5	
NI	A	G1	5320-99-120-3878 .. RIVET, SOLID STEEL BUTTON hd, 1/4 in. dia x 5/8 in. lg		28	



**CHAPTER 3**  
**INDEX OF NATO STOCK NUMBERS**

## INDEX OF NATO STOCK NUMBERS OR CATALOGUE NUMBERS

NATO Stock No./ Catalogue No.	Page No.	NATO Stock No./ Catalogue No.	Page No.	NATO Stock No./ Catalogue No.	Page No.
2640-00-052-0944	2-2.21-NI	2590-99-461-0102	2-2.23-2	5330-99-803-3380	2-1.45-7
2640-00-052-0944	2-1.21-NI	5330-99-534-4406	2-1.27-3	5330-99-803-3380	2-2.49-7
5935-00-059-2841	2-1.41/42-NI	5330-99-534-4406	2-2.31-3	5975-99-803-3382	2-1.45-14
5935-00-059-2841	2-2.45/46-NI	2540-99-588-0717	2-2.5-47	5975-99-803-3382	2-2.49-14
5315-99-056-3402	2-2.5-51	5360-99-630-0171	2-2.19-NI	5330-99-803-3383	2-1.45-3
5306-99-075-0144	2-1.31-NI	5360-99-630-0171	2-1.19-NI	5330-99-803-3383	2-2.49-2
5306-99-075-0144	2-2.35-NI	2540-99-630-1959	2-2.35-NI	6220-99-803-3387	2-2.49-10
1740-99-110-1984	2-2.7-NI	2540-99-630-1959	2-1.31-NI	6220-99-803-3387	2-1.45-10
5935-99-117-9230	2-1.41/42-32	2530-99-660-3979	2-2.27/28-NI	5330-99-803-3388	2-1.45-11
5935-99-117-9230	2-2.45/46-32	2540-99-700-2237	2-2.35-NI	5330-99-803-3388	2-2.49-11
5306-99-122-2812	2-2.7-NI	2540-99-700-2237	2-1.31-NI	5975-99-803-3389	2-1.45-15
5310-99-137-9231	2-1.29-21	5315-99-700-2238	2-2.35-NI	5975-99-803-3389	2-2.49-15
5315-99-139-7465	2-2.33-26	5315-99-700-2238	2-1.31-NI	6220-99-803-3390	2-1.45-8
5315-99-139-7465	2-1.29-26	9905-99-700-2239	2-2.35-NI	6220-99-803-3390	2-2.49-8
2540-99-168-9372	2-2.5-NI	9905-99-700-2239	2-1.31-NI	5340-99-803-3420	2-2.49-13
3120-99-200-2455	2-1.15-4	5365-99-762-1597	2-1.31-NI	5340-99-803-3420	2-1.45-13
3120-99-200-2455	2-2.15-4	5365-99-762-1597	2-2.35-NI	6220-99-803-3429	2-2.49-12
3120-99-200-2459	2-1.13-8	2510-99-765-7000	2-2.5-NI	6220-99-803-3429	2-1.45-12
3120-99-200-2459	2-2.13-8	5360-99-766-8840	2-2.19-30	6220-99-803-3874	2-2.49-16
3120-99-200-2486	2-1.25-16	5360-99-766-8840	2-1.19-30	6220-99-803-3874	2-1.45-16
3120-99-200-2486	2-2.25/26-16	2530-99-766-9116	2-2.9-NI	6220-99-803-4208	2-1.45-4
2590-99-205-6693	2-2.7-60	2530-99-767-0976	2-2.7-NI	6220-99-803-4208	2-2.49-4
2590-99-205-6693	2-1.7-60	2540-99-768-4483	2-1.29-20	5330-99-803-5166	2-2.31-6
9905-99-206-6267	2-2.43-8	2540-99-768-4483	2-2.33-20	5330-99-803-5166	2-1.27-6
9905-99-206-6267	2-1.39-8	2530-99-774-2319	2-2.23-NI	4710-99-803-7931	2-2.5-42
3895-99-208-0259	2-1.17-NI	2530-99-774-2319	2-1.23-NI	5340-99-804-7030	2-2.41-23
3895-99-208-0259	2-2.17-NI	5340-99-782-3428	2-1.31-NI	5340-99-804-7030	2-2.41-17
3895-99-208-0261	2-1.17-NI	5340-99-782-3428	2-2.35-NI	5340-99-804-7030	2-1.37-23
3895-99-208-0261	2-2.17-NI	2540-99-793-8547	2-2.3-23	5340-99-804-7030	2-1.37-17
9905-99-214-5485	2-1.31-NI	2530-99-793-9144	2-2.13-2	5935-99-805-0220	2-2.43-16
9905-99-214-5485	2-2.35-NI	2510-99-793-9154	2-2.13-1	5935-99-805-0220	2-1.38-16
1740-99-234-3460	2-2.7-NI	2590-99-795-1944	2-2.7-NI	5935-99-805-0221	2-1.39-19
2540-99-256-0244	2-1.31-NI	2590-99-795-1944	2-1.7-NI	5935-99-805-0221	2-2.43-19
2540-99-256-0244	2-2.35-NI	5355-99-795-1952	2-2.7-61	5935-99-805-0224	2-2.43-17
2540-99-299-8148	2-1.31-NI	5355-99-795-1952	2-1.7-61	5935-99-805-0224	2-1.39-17
2540-99-299-8148	2-2.35-NI	2540-99-800-7368	2-2.9-12	5310-99-805-2690	2-2.49-17
2540-99-299-8149	2-1.31-NI	2540-99-800-7368	2-1.9-12	5935-99-805-2864	2-2.43-15
2540-99-299-8149	2-2.35-NI	5310-99-802-5872	2-1.9-24	5935-99-805-2864	2-1.39-15
5365-99-304-1212	2-1.31-NI	5310-99-802-5872	2-2.9-24	5975-99-805-3074	2-1.45-NI
5365-99-304-1212	2-2.35-NI	5935-99-802-6456	2-2.43-25	5975-99-805-3074	2-2.49-NI
5340-99-350-8213	2-1.31-NI	5935-99-802-6456	2-1.39-25	5940-99-805-3090	2-2.43-18
5340-99-350-8213	2-2.35-NI	5940-99-803-1952	2-1.47-6	5940-99-805-3090	2-1.39-18
5355-99-362-7782	2-2.7-NI	5943-99-803-1952	2-2.51-6	5310-99-805-3690	2-1.45-17
5330-99-400-4642	2-2.19-23	5940-99-803-1952	2-1.47-NI	5310-99-805-6455	2-2.53-11
5330-99-400-4642	2-1.19-23	5940-99-803-1952	2-2.51-NI	5310-99-805-6455	2-1.49-11
2530-99-400-4758	2-1.17-NI	5940-99-803-1952	2-1.47-2	2530-99-805-8262	2-1.17-NI
2530-99-400-4758	2-2.17-NI	5940-99-803-1952	2-2.51-2	2530-99-805-8262	2-2.17-NI
2590-99-406-6218	2-1.5-49	6220-99-803-2620	2-1.41/42-29	5305-99-806-2333	2-1.5-44
6220-99-408-2494	2-2.51-9	6220-99-803-2620	2-1.45-1	5305-99-806-2335	2-2.5-44
6220-99-408-2494	2-1.47-9	6220-99-803-2620	2-2.49-1	2530-99-809-2504	2-2.21-22
2590-99-461-0102	2-1.23-2	6220-99-803-2620	2-2.45/46-29	2530-99-809-2504	2-1.21-22

## INDEX OF NATO STOCK NUMBERS OR CATALOGUE NUMBERS

NATO Stock No./ Catalogue No.	Page No.	NATO Stock No./ Catalogue No.	Page No.	NATO Stock No./ Catalogue No.	Page No.
2610-99-809-3576	2-1.21-NI	5310-99-822-0198	2-1.49-12	2330-99-831-9820	2-1.3-1
2610-99-809-3576	2-2.21-NI	6220-99-822-0283	2-1.45-2	2330-99-831-9820	2-2.3-1
2620-99-809-3632	2-1.21-NI	6220-99-822-0283	2-2.49-2	2540-99-831-9828	2-2.3-29
2620-99-809-3632	2-2.21-NI	2530-99-823-7276	2-2.19-NI	2540-99-831-9828	2-1.3-29
2640-99-809-4083	2-1.21-NI	2530-99-823-7276	2-1.19-NI	2540-99-831-9829	2-2.3-NI
2640-99-809-4083	2-2.21-NI	6220-99-823-9793	2-1.41/42-NI	2540-99-831-9829	2-1.3-NI
2640-99-809-4086	2-1.21-NI	6220-99-823-9793	2-2.51-NI	2540-99-831-9830	2-2.37-13
2640-99-809-4086	2-2.21-NI	6220-99-823-9793	2-1.47-NI	2540-99-831-9830	2-2.5-30
5360-99-809-5821	2-1.19-NI	6220-99-823-9793	2-2.45/46-NI	2540-99-831-9830	2-1.5-30
5360-99-809-5821	2-2.19-NI	6220-99-823-9794	2-2.51-NI	2540-99-831-9830	2-1.33-13
5306-99-810-0709	2-1.29-31	6220-99-823-9794	2-1.41/42-NI	2540-99-831-9831	2-1.27-11
5306-99-810-0709	2-2.33-31	6220-99-823-9794	2-1.47-NI	2540-99-831-9831	2-2.31-11
5340-99-810-2181	2-1.41/42-NI	6220-99-823-9794	2-2.45/46-NI	5365-99-831-9832	2-1.27-4
5340-99-810-2181	2-1.43-NI	6220-99-823-9797	2-2.51-NI	5365-99-831-9832	2-2.31-4
5340-99-810-2181	2-1.39-NI	6220-99-823-9797	2-1.47-NI	2540-99-831-9833	2-2.31-12
5340-99-810-2181	2-2.45/46-NI	6220-99-824-7089	2-2.51-3	2540-99-831-9833	2-1.27-12
5340-99-810-2181	2-2.43-NI	6220-99-824-7089	2-1.47-3	4730-99-831-9834	2-2.31-14
5340-99-810-2181	2-2.47-NI	5340-99-825-3026	2-2.41-NI	4730-99-831-9834	2-1.27-14
5340-99-810-2183	2-1.43-NI	9905-99-825-9593	2-2.43-4	2540-99-831-9835	2-1.29-37
5340-99-810-2183	2-2.47-NI	9905-99-825-9593	2-1.39-4	2540-99-831-9835	2-2.33-37
2530-99-810-2633	2-1.15-3	9905-99-825-9594	2-1.39-10	2540-99-831-9836	2-1.29-29
2530-99-810-2633	2-2.15-3	9905-99-825-9594	2-2.43-10	2540-99-831-9836	2-2.33-29
5315-99-811-3950	2-1.31-NI	6250-99-828-2883	2-2.51-1	3120-99-831-9837	2-1.29-33
5315-99-811-3950	2-2.35-NI	6250-99-828-2883	2-1.47-1	3120-99-831-9837	2-2.33-33
1650-99-811-4500	2-2.7-NI	6250-99-828-2884	2-2.51-5	5310-99-831-9838	2-2.35-38
5340-99-812-8329	2-1.9-21	6250-99-828-2884	2-1.47-5	5310-99-831-9838	2-1.31-38
5340-99-812-9329	2-2.9-21	6220-99-828-6034	2-1.47-NI	5330-99-831-9839	2-2.31-9
2540-99-812-9342	2-1.33-7	6220-99-828-6034	2-1.41/42-30	5330-99-831-9839	2-1.27-9
2540-99-812-9342	2-2.37-7	6220-99-828-6034	2-2.51-NI	5330-99-831-9840	2-1.27-13
2590-99-813-5221	2-2.45/46-38	6220-99-828-6034	2-2.45/46-30	5330-99-831-9840	2-2.31-13
5315-99-815-4766	2-1.5-47	6320-99-828-6035	2-2.51-NI	5330-99-831-9841	2-1.27-15
5315-99-815-4767	2-1.5-51	6320-99-828-6035	2-1.47-NI	5330-99-831-9841	2-2.31-15
2510-99-815-4768	2-1.5-NI	2540-99-829-4549	2-1.27	5330-99-831-9842	2-1.27-7
2510-99-815-4769	2-1.5-41	2510-99-830-6791	2-2.37-11	5330-99-831-9842	2-2.31-7
5310-99-819-1858	2-1.21-23	2510-99-830-6791	2-2.41-26	2530-99-831-9843	2-2.31-10
5310-99-819-1858	2-2.21-23	2510-99-830-6791	2-1.37-26	2530-99-831-9843	2-1.27-10
2530-99-820-5007	2-1.21-1	2510-99-830-6791	2-1.33-11	2530-99-831-9844	2-1.29-36
2530-99-820-5007	2-2.21-1	2590-99-830-6792	2-1.35-34	2530-99-831-9844	2-2.33-36
2590-99-820-5013	2-2.45/46-39	2590-99-830-6792	2-2.39-34	5630-99-831-9845	2-1.29-32
2590-99-820-5014	2-2.45/46-36	2590-99-830-6793	2-1.35-33	5630-99-831-9845	2-2.33-32
2590-99-820-5015	2-2.45/46-42	2590-99-830-6793	2-2.39-33	2530-99-831-9846	2-2.21-7
2590-99-820-5017	2-2.45/46-33	2530-99-831-7468	2-2.25/26-8	2530-99-831-9846	2-1.21-7
2590-99-820-5018	2-2.45/46-34	2530-99-831-7468	2-1.25.8	2530-99-831-9847	2-1.21-8
2590-99-820-5019	2-2.45/46-41	5360-99-831-7469	2-2.25/26-23	2530-99-831-9847	2-2.21-8
5340-99-821-1372	2-1.37-22	5360-99-831-7469	2-1.25-23	2530-99-831-9848	2-2.17-NI
5340-99-821-1372	2-2.41-22	2530-99-831-7470	2-2.25/26-7	2530-99-831-9848	2-1.17-NI
6220-99-821-5663	2-1.47-10	2530-99-831-7470	2-1.25-7	5306-99-832-1551	2-1.15-15
6220-99-821-5663	2-2.51-10	2530-99-831-7471	2-1.25-6	5306-99-832-1551	2-2.15-15
6250-99-821-8556	2-2.51-NI	2530-99-831-7471	2-2.25/26-6	5306-99-832-1552	2-2.15-14
6250-99-821-8556	2-1.47-NI	2530-99-831-7472	2-1.25-2	5306-99-832-1552	2-1.15-14
5310-99-822-0198	2-2.53-12	2530-99-831-7472	2-2.25/26-2	5330-99-832-1553	2-2.21-12

## INDEX OF NATO STOCK NUMBERS OR CATALOGUE NUMBERS

NATO Stock No./ Catalogue No.	Page No.	NATO Stock No./ Catalogue No.	Page No.	NATO Stock No./ Catalogue No.	Page No.
5330-99-832-1553	2-1.21-12	5340-99-832-4632	2-1.13-NI	2530-99-848-1984	2-2.21-14
2530-99-832-1554	2-2.9-22	5340-99-832-4632	2-2.13-NI	2530-99-848-1984	2-1.21-14
2530-99-832-1554	2-1.9-22	2530-99-833-9002	2-1.17-NI	5340-99-848-8221	2-1.23-3
2530-99-832-1555	2-2.9-NI	2530-99-833-9002	2-2.17-NI	5340-99-848-8221	2-2.23-3
2530-99-832-1555	2-1.9-NI	2590-99-835-0177	2-2.31-8	5340-99-848-9221	2-1.15-9
5340-99-832-1556	2-2.9-4	2590-99-835-0177	2-1.27-8	5340-99-848-9221	2-2.15-9
5340-99-832-1556	2-1.9-4	6220-99-835-0444	2-2.51-NI	5315-99-848-9224	2-2.23-5
5340-99-832-1556	2-2.9-2	2530-99-836-3511	2-1.17.6	5315-99-848-9224	2-2.27/28-NI
5340-99-832-1556	2-1.9-2	2530-99-836-3511	2-2.17-6	5315-99-848-9224	2-1.23-5
2530-99-832-1557	2-2.9-7	3110-99-836-3543	2-2.17-7	5315-99-848-9224	2-2.15-11
2530-99-832-1557	2-1.9-7	3110-99-836-3543	2-1.17-7	5315-99-848-9224	2-1.15-11
2530-99-832-1559	2-2.13-12	2530-99-836-3595	2-2.19-NI	3040-99-848-9228	2-1.25-NI
2530-99-832-1559	2-1.13-12	2530-99-836-3595	2-1.19-NI	3040-99-848-9228	2-1.23-19
2530-99-832-1560	2-2.9-1	2530-99-836-3596	2-2.19-NI	3040-99-848-9228	2-2.23-19
2530-99-832-1560	2-1.9-1	2530-99-836-3596	2-1.19-NI	3040-99-848-9228	2-2.25/26-NI
5306-99-832-1561	2-1.9-9	2530-99-836-3640	2-1.17-4	5306-99-848-9232	2-1.23-17
5306-99-832-1561	2-2.9-9	2530-99-836-3640	2-2.17-4	5306-99-848-9232	2-2.23-17
5340-99-832-1563	2-2.13-6	2530-99-836-3731	2-2.17-12	2530-99-848-9233	2-2.27/28-NI
5340-99-832-1563	2-1.13-6	2530-99-836-3731	2-1.17-12	2530-99-848-9233	2-1.23-16
5306-99-832-1564	2-2.13-19	5310-99-836-3763	2-2.17-11	2530-99-848-9233	2-2.23-16
5306-99-832-1564	2-1.13-19	5310-99-836-3763	2-1.17-11	2530-99-848-9234	2-2.27/28-NI
2530-99-832-1565	2-2.25/26-1	2530-99-836-4627	2-1.19-21	2530-99-848-9234	2-2.23-13
2530-99-832-1565	2-1.25-1	2530-99-836-4627	2-2.19-21	2530-99-848-9234	2-1.23-13
2520-99-832-1566	2-2.25/26-14	2530-99-836-4722	2-1.19-15	2530-99-848-9235	2-2.23-14
2520-99-832-1566	2-1.25-14	2530-99-836-4722	2-2.19-15	2530-99-848-9235	2-2.27/28-NI
2530-99-832-1567	2-2.25/26-15	2530-99-836-4802	2-1.17-8	2530-99-848-9235	2-1.23-14
2530-99-832-1567	2-1.25-15	2530-99-836-4802	2-2.17-8	2530-99-848-9244	2-2.25/26-17
2530-99-832-1569	2-1.25-21	2530-99-836-4803	2-2.17-5	2530-99-848-9244	2-1.25-17
2530-99-832-1569	2-2.25/26-21	2530-99-836-4803	2-1.17-5	2530-99-848-9314	2-2.21-16
2530-99-832-1570	2-1.25-10	2530-99-836-4863	2-1.17-2	2530-99-848-9314	2-1.21-16
2530-99-832-1570	2-2.25/26-10	2530-99-836-4863	2-2.17-2	2530-99-848-9315	2-2.21-17
5315-99-832-1571	2-2.23-8	2530-99-836-4939	2-2.19-31	2530-99-848-9315	2-1.21-17
5315-99-832-1571	2-1.23-8	2530-99-836-4939	2-1.19-31	5310-99-848-9318	2-1.21-10
2590-99-832-1575	2-2.5-35	2510-99-836-9687	2-1.5-53	5310-99-848-9318	2-2.21-10
2590-99-832-1575	2-1.5-35	2530-99-837-2118	2-1.19-NI	5310-99-848-9323	2-2.15-17
2590-99-832-1576	2-1.41/42-31	2530-99-837-2118	2-2.19-NI	5310-99-848-9323	2-1.15-17
2590-99-832-1577	2-1.41/42-35	2590-99-837-2679	2-1.5-50	2530-99-849-0009	2-2.23-18
2590-99-832-1578	2-1.41/42-39	2530-99-839-4201	2-2.13-NI	2530-99-849-0009	2-1.23-18
2590-99-832-1579	2-1.41/42-36	2530-99-839-5201	2-1.13-NI	5330-99-849-0009	2-2.27/28-NI
2590-99-832-1580	2-1.41/42-42	2520-99-848-1164	2-1.21-13	2590-99-849-0503	2-1.5-42
2590-99-832-1581	2-1.41/42-38	2520-99-848-1164	2-2.21-13	2590-99-849-0504	2-1.5-48
2590-99-832-1582	2-1.41/42-33	2530-99-848-1412	2-1.21-11	2590-99-849-0506	2-1.5-43
2590-99-832-1583	2-1.41/42-34	2530-99-848-1412	2-2.21-11	4710-99-850-3783	2-2.5-41
2590-99-832-1584	2-1.41/42-41	2530-99-848-1518	2-1.21-3	5310-99-874-2237	2-1.9-14
2590-99-832-1585	2-1.41/42-37	2530-99-848-1518	2-2.21-3	5310-99-874-2237	2-2.9-14
2590-99-832-1586	2-2.45/46-40	5330-99-848-1519	2-1.21-2	2540-99-874-2254	2-1.15-7
2590-99-832-1586	2-1.41/42-40	5330-99-848-1519	2-2.21-2	2540-99-874-2254	2-2.15-7
2590-99-832-1587	2-1.39-21	2530-99-848-1902	2-1.21-20	5315-99-874-2255	2-2.15-5
2590-99-832-1587	2-2.43-21	2530-99-848-1902	2-2.21-20	5315-99-874-2255	2-1.15-5
5340-99-832-1588	2-2.47-NI	2530-99-848-1974	2-2.21-15	5315-99-874-2256	2-2.15-6
5340-99-832-1588	2-1.43-NI	2530-99-848-1974	2-1.21-15	5315-99-874-2256	2-1.15-6

INDEX OF NATO STOCK NUMBERS OR CATALOGUE NUMBERS

NATO Stock No./ Catalogue No.	Page No.	NATO Stock No./ Catalogue No.	Page No.	NATO Stock No./ Catalogue No.	Page No.
2530-99-874-2262	2-1.23-1	6240-99-995-2902	2-1.47-NI		
2530-99-874-2262	2-2.23-1	6240-99-995-2902	2-2.51-NI		
2530-99-874-2265	2-2.23-11	6240-99-995-3244	2-1.47-7		
2530-99-874-2265	2-1.23-11	6240-99-995-3244	2-2.51-7		
2540-99-874-2269	2-2.11-31	6240-99-995-3288	2-1.47-NI		
2540-99-874-2269	2-1.11-31	6240-99-995-3288	2-2.51-NI		
5340-99-874-2272	2-2.43-1	6240-99-995-3296	2-1.47-4		
5340-99-874-2272	2-1.39-1	6240-99-995-3296	2-2.51-4		
2530-99-881-2434	2-1.19-NI	6240-99-995-9813	2-1.47-NI		
2530-99-881-2434	2-2.19-NI	6240-99-995-9813	2-2.51-NI		
2590-99-881-2519	2-2.45/46-31				
2530-99-881-9879	2-1.19-17				
2530-99-881-9879	2-2.19-17				
2530-99-882-0068	2-1.19-16				
2530-99-882-0068	2-2.19-16				
2530-99-882-0386	2-1.19-18				
2530-99-882-0386	2-2.19-18				
2530-99-882-0879	2-1.17-NI				
2530-99-882-0879	2-2.17-NI				
9905-99-901-3287	2-1.3-21				
9905-99-901-3287	2-2.39-28				
9905-99-901-3287	2-2.3-21				
9905-99-901-3287	2-1.35-28				
6220-99-903-3158	2-2.49-9				
6220-99-903-3158	2-1.45-9				
5365-99-910-8244	2-2.33-24				
5365-99-910-8244	2-1.29-24				
2510-99-925-3392	2-1.5-46				
2510-99-925-3392	2-2.5-46				
2530-99-932-1558	2-1.9-8				
2530-99-932-1558	2-2.9-8				
2530-99-932-1562	2-1.11-30				
2530-99-932-1562	2-2.11-30				
5325-99-941-3499	2-2.43-27				
5305-99-942-1443	2-2.35-NI				
5305-99-942-1443	2-1.31-NI				
5325-99-942-3466	2-2.45/46-28				
4020-99-942-5040	2-1.35-35				
4730-99-943-9375	2-1.15-2				
4730-99-943-9375	2-2.15-2				
4730-99-943-9379	2-1.13-NI				
4730-99-943-9379	2-2.13-NI				
4730-99-943-9383	2-1.31-40				
4730-99-943-9383	2-2.35-40				
3110-99-950-1057	2-2.21-9				
3110-99-950-1057	2-1.21-9				
5310-99-974-2236	2-1.9-15				
5310-99-974-2236	2-2.9-15				
2530-99-978-2595	2-2.15-1				
6240-99-995-2236	2-2.49-18				
6240-99-995-2236	2-1.45-18				

**CHAPTER 4**  
**INDEX**  
**OF MAKER'S PART / DRAWING NUMBERS**

INDEX OF PART NUMBERS/DRAWING NUMBERS

Makers Part/ Drawing No.	Page No.	Makers Part/ Drawing No.	Page No.	Makers Part/ Drawing No.	Page No.
AJ/LK/89963	2-1.19-NI	FV131185	2-2.21-14	FV490937	2-1.25-14
AJ/LK89963	2-2.19-NI	FV133030	2-1.3-21	FV490937	2-2.25/26-14
B9485	2-1.19-NI	FV133030	2-1.35-28	FV512562	2-1.9-15
B9485	2-2.19-NI	FV133030	2-2.3-21	FV512562	2-2.9-15
D1123/2	2-1.31-NI	FV133030	2-2.39-28	FV512563	2-1.9-14
D1123/2	2-2.35-NI	FV14350	2-1.21-11	FV512563	2-2.9-14
EC000008A	2-1.25-9	FV14350	2-2.21-11	FV556077	2-2.15-3
EC000008A	2-2.25/26-9	FV14356	2-1.21-13	FV556077	2-1.15-3
EC007749A	2-1.25-2	FV14356	2-2.21-13	FV556078	2-1.15-7
EC007749A	2-2.25/26-2	FV14361	2-1.21-20	FV556078	2-2.15-7
EC14418A	2-1.25.8	FV14361	2-2.21-20	FV556079	2-1.15-5
EC14418A	2-2.25/26-8	FV14933	2-1.45-1	FV556079	2-2.15-5
EC14419A	2-1.25-7	FV14933	2-1.41/42-29	FV556081	2-1.15-6
EC14419A	2-2.25/26-7	FV14933	2-2.49-1	FV556081	2-2.15-6
EC14420A	2-1.25-6	FV14933	2-2.45/46-29	FV556109	2-1.23-1
EC14420A	2-2.25/26-6	FV15301	2-1.21-3	FV556109	2-2.23-1
EC14423A	2-1.25-23	FV15301	2-2.21-3	FV556128	2-1.23-11
EC14423A	2-2.25/26-23	FV15302	2-1.21-2	FV556128	2-2.23-11
EC14425A	2-1.25-3	FV15302	2-2.21-2	FV556150	2-1.11-31
EC14425A	2-2.25/26-3	FV15761	2-1.21-15	FV556150	2-2.11-31
EC15619A	2-1.25-5	FV15761	2-2.21-15	FV556226	2-1.39-1
EC15619A	2-2.25/26-5	FV159941	2-1.39-15	FV556226	2-2.43-1
EC15620A	2-1.25-4	FV159941	2-2.43-15	FV563586/2N	2-1.41/42-35
EC15620A	2-2.25/26-4	FV166011/76N	2-2.45/46-33	FV563651/12N	2-2.45/46-39
E2140	2-1.9-2	FV166874/3	2-1.41/42-40	FV563654/3N	2-1.41/42-36
E2140	2-2.9-2	FV166874/3	2-2.45/46-40	FV563654/82N	2-2.45/46-38
E2140	2-2.9-4	FV169423	2-1.38-16	FV563654/82N	2-2.45/46-42
E2140	2-1.9-4	FV169423	2-2.43-16	FV563654/84N	2-1.41/42-39
FV11556	2-1.23-18	FV169424	2-1.39-19	FV563655/20N	2-1.41/42-42
FV11556	2-2.23-18	FV169424	2-2.43-19	FV563655/200N	2-1.41/42-38
FV11556	2-2.27/28-NI	FV169429	2-1.39-17	FV563655/25N	2-2.45/46-34
FV11579	2-1.5-42	FV169429	2-2.43-17	FV563655/258N	2-1.41/42-34
FV11582	2-1.5-48	FV2124172	2-1.31-NI	FV563655/381N	2-2.45/46-37
FV11583	2-1.5-49	FV2124172	2-2.35-NI	FV563655/71N	2-2.45/46-41
FV11587	2-1.5-43	FV2124369	2-2.5-50	FV563655/78N	2-1.41/42-33
FV12062	2-1.21-10	FV2124370	2-2.5-48	FV563656/23N	2-1.41/42-41
FV12062	2-2.21-10	FV2124371	2-2.5-49	FV563656/83N	2-1.41/42-37
FV12066	2-1.21-16	FV21402258	2-2.5-43	FV563686/12N	2-2.45/46-35
FV12066	2-2.21-16	FV2140256	2-2.5-42	FV596887	2-1.41/42-32
FV12069	2-1.21-17	FV2140256	2-2.5-NI	FV607197	2-1.33-21
FV12069	2-2.21-17	FV2140257	2-2.5-41	FV607197	2-2.37-21
FV12078	2-1.15-4	FV2140259	2-2.5-47	FV607330	2-1.21-22
FV12078	2-2.15-4	FV2140261	2-2.5-51	FV607330	2-2.21-22
FV12109	2-2.15-17	FV2140275	2-2.5-NI	FV607530	2-2.5-46
FV12109	2-1.15-17	FV2140276	2-2.5-NI	FV607530	2-1.5-46
FV130671	2-2.3-19	FV2140277	2-2.5-53	FV607541	2-1.5-51
FV130671	2-1.3-19	FV229569	2-1.39-25	FV620986	2-2.5-44
FV130671	2-1.35-29	FV229569	2-2.43-25	FV620986	2-1.5-44
FV130671	2-2.39-29	FV324385/1	2-1.41/42-31	FV653524	2-1.39-NI
FV131185	2-1.21-14	FV324385/1	2-2.45/46-31	FV653524	2-1.41/42-NI
FV131185	2-2.21-14	FV463654/2N	2-2.45/46-36	FV653524	2-1.43-NI

## INDEX OF PART NUMBERS/DRAWING NUMBERS

Makers Part/ Drawing No.	Page No.	Makers Part/ Drawing No.	Page No.	Makers Part/ Drawing No.	Page No.
FV653524	2-2.47-NI	FV694932	2-2.51-1	FV798047	2-2.51-NI
FV653524	2-2.43-NI	FV694937	2-1.47-5	FV817186	2-1.39-4
FV653524	2-2.45/46-NI	FV694937	2-2.51-5	FV817186	2-2.43-4
FV653526	2-1.43-NI	FV702033	2-1.33-7	FV817187	2-1.39-10
FV653526	2-2.47-NI	FV702033	2-2.37-7	FV817187	2-2.43-10
FV654722	2-1.5-NI	FV746828	2-1.21-1	FV817224	2-1.47-NI
FV654723	2-1.5-41	FV746828	2-2.21-1	FV817224	2-1.41/42-30
FV654879	2-1.5-50	FV746831	2-1.33-17	FV817224	2-2.45/46-30
FV665608/30	2-1.9-21	FV746831	2-2.37-17	FV817224	2-2.51-NI
FV665608/30	2-2.9-21	FV746897	2-2.41-NI	FV850761	2-1.21-8
FV665608/33	2-2.9-24	FV760632	2-1.41/42-NI	FV850761	2-2.21-8
FV665608/33	2-1.9-24	FV760632	2-2.45/46-NI	FV850762	2-1.21-23
FV66631	2-1.25	FV760732	2-1.47-NI	FV850762	2-2.21-23
FV666333	2-1.25-18	FV760732	2-2.51-NI	FV861373	2-1.37-9
FV666333	2-2.25/26-18	FV760733	2-1.47-NI	FV861653	2-2.15-1
FV666335	2-1.25-21	FV760733	2-1.41/42-NI	FV861653	2-1.15-1
FV666335	2-2.25/26-21	FV760733	2-2.45/46-NI	FV861663	2-1.15-15
FV666336	2-1.25-10	FV760733	2-2.51-NI	FV861663	2-2.15-15
FV666336	2-2.25/26-10	FV7773	2-1.35-30	FV861664	2-2.15-14
FV666337	2-1.25-1	FV7773	2-2.39-30	FV861664	2-1.15-14
FV666337	2-2.25/26-1	FV7864	2-1.15-9	FV861665	2-1.13-NI
FV666344	2-1.25-15	FV7864	2-1.23-3	FV861665	2-2.13-NI
FV666344	2-2.25/26-15	FV7864	2-2.15-9	FV861666	2-2.13-7
FV666412	2-2.3-23	FV7864	2-2.23-3	FV861666	2-1.13-7
FV666412	2-1.3-23	FV7867	2-1.15-11	FV861667	2-1.13-NI
FV666413	2-2.3-29	FV7867	2-2.15-11	FV861667	2-2.13-NI
FV666413	2-1.3-29	FV7867	2-1.23-5	FV861668	2-1.13-15
FV666414	2-2.3-NI	FV7867	2-2.23-5	FV861668	2-2.13-15
FV666414	2-1.3-NI	FV7867	2-2.27/28-NI	FV861669	2-2.13-14
FV666421	2-1.37-28	FV7900	2-1.25-NI	FV861669	2-1.13-14
FV666421	2-2.41-28	FV7900	2-1.23-19	FV861670	2-2.13-13
FV666422	2-1.37-29	FV7900	2-2.23-19	FV861670	2-1.13-13
FV666422	2-2.41-29	FV7900	2-2.25/26-NI	FV861671	2-2.13-2
FV666423	2-1.37-20	FV7905	2-1.23-2	FV861671	2-1.13-2
FV666423	2-2.41-20	FV7905	2-2.23-2	FV861672	2-2.13-1
FV666424	2-1.37-21	FV7909	2-1.23-17	FV861672	2-1.13-1
FV666424	2-2.41-21	FV7909	2-2.23-17	FV861673	2-2.13-12
FV666598	2-2.7-60	FV7910	2-1.23-16	FV861673	2-2.13-NI
FV666598	2-1.7-60	FV7910	2-2.23-16	FV861673	2-1.13-12
FV666681	2-1.3-10	FV7910	2-2.27/28-NI	FV861673	2-1.13-NI
FV666681	2-2.3-10	FV7911	2-1.23-13	FV861677	2-1.9-NI
FV680688	2-1.5-47	FV7911	2-2.23-13	FV861677	2-2.9-NI
FV6887	2-2.45/46-32	FV7911	2-2.27/28-NI	FV861678	2-2.9-NI
FV694836	2-1.39-18	FV7912	2-1.23-14	FV861678	2-1.9-1
FV694863	2-2.43-18	FV7912	2-2.27/28-NI	FV861678	2-2.9-1
FV694915	2-1.47-NI	FV7912	2-2.23-14	FV861678	2-1.9-NI
FV694915	2-2.51-NI	FV7926	2-1.25-16	FV861679	2-2.9-9
FV694928	2-1.47-10	FV7926	2-2.25/26-16	FV861679	2-1.9-9
FV694928	2-2.51-10	FV7943	2-2.25/26-17	FV861680	2-2.11-34
FV694932	2-1.47-1	FV79439244	2-1.25-17	FV861680	2-1.11-34
FV694932	2-2.51-1	FV798047	2-1.47-NI	FV861681	2-2.11-30



## INDEX OF PART NUMBERS/DRAWING NUMBERS

Makers Part/ Drawing No.	Page No.	Makers Part/ Drawing No.	Page No.	Makers Part/ Drawing No.	Page No.
FV861681	2-1.11-30	FV861738	2-2.41-8	FV924298	2-2.27/28-NI
FV861682	2-1.9-7	FV861739	2-1.33-2	FV924462	2-2.5-NI
FV861682	2-2.9-7	FV861739	2-2.37-2	FV924520	2-2.27/28-NI
FV861684	2-2.9-8	FV861740	2-1.35-33	FV924781	2-2.9-18
FV861684	2-1.9-8	FV861740	2-2.39-33	FV924988	2-2.27/28-NI
FV861685	2-2.9-22	FV861746	2-1.37-14	FV924989	2-2.27/28-NI
FV861685	2-1.9-22	FV861746	2-2.41-14	FV924990	2-2.27/28-NI
FV861686	2-1.9-3	FV861747	2-1.37-15	FV924991	2-2.27/28-NI
FV861686	2-2.9-3	FV861747	2-2.41-15	FV924992	2-2.27/28-NI
FV861702	2-2.5-34	FV861750	2-1.37-13	FV924993	2-2.27/28-NI
FV861702	2-1.5-NI	FV861750	2-2.41-13	FV924994	2-2.27/28-NI
FV861713	2-1.23-8	FV861759	2-1.37-16	FV924995	2-2.27/28-NI
FV861713	2-2.23-8	FV861759	2-2.41-16	FV939003	2-2.51-NI
FV861714	2-1.39-21	FV861770	2-1.37-30	FV955487	2-1.47-NI
FV861714	2-2.43-21	FV861770	2-2.41-30	FV955487	2-2.51-NI
FV861719	2-1.27	FV861771	2-1.37-27	GB1404C	2-1.17-4
FV861721	2-1.33-1	FV861771	2-2.41-27	GB1404C	2-2.17-4
FV861721	2-2.37-1	FV861774	2-2.3-2	GB14818	2-2.19-23
FV861722	2-2.3-NI	FV861774	2-1.3-2	GB14818	2-1.19-23
FV861722	2-1.3-NI	FV861775	2-2.3-3	GB2501	2-2.17-12
FV861723	2-1.37-4	FV861775	2-1.3-3	GB2501	2-1.17-12
FV861723	2-2.41-4	FV861776	2-2.3-4	GB2841	2-2.17-11
FV861724	2-1.37-1	FV861776	2-1.3-4	GB2841	2-1.17-11
FV861724	2-2.41-1	FV861777	2-1.3-5	GB41077C	2-1.17-8
FV861725	2-1.37-NI	FV861777	2-2.3-5	GB41077C	2-2.17-8
FV861725	2-2.41-NI	FV861778	2-1.3-6	GB42078	2-2.17-5
FV861726	2-1.37-26	FV861778	2-2.3-6	GB42078	2-1.17-5
FV861726	2-1.33-11	FV861780	2-1.21-7	GB42705	2-1.17-NI
FV861726	2-2.41-26	FV861780	2-2.21-7	GB42705	2-2.17-NI
FV861726	2-2.37-11	FV861781	2-2.3-1	GB42706	2-1.17-2
FV861727	2-1.35-34	FV861781	2-1.3-1	GB42706	2-2.17-2
FV861727	2-2.39-34	FV861867	2-1.3-16	GB43585	2-1.19-31
FV861729	2-1.37-10	FV861867	2-2.3-16	GB43585	2-2.19-31
FV861729	2-2.41-10	FV861978	2-1.33-13	GB535	2-2.17-7
FV861730	2-1.37-6	FV861978	2-1.5-30	GB535	2-1.17-7
FV861730	2-2.41-6	FV861978	2-2.5-30	GB67	2-2.17-6
FV861731	2-1.37-5	FV861978	2-2.37-13	GB67	2-1.17.6
FV861731	2-2.41-5	FV862149	2-2.5-35	H00391000402	2-1.31-NI
FV861732	2-1.37-3	FV862149	2-1.5-35	H00391000402	2-2.35-NI
FV861732	2-2.41-3	FV924099	2-2.3-11	H00391000405	2-1.31-NI
FV861733	2-1.37-2	FV924099	2-1.3-11	H00391000405	2-2.35-NI
FV861733	2-2.41-2	FV924100	2-1.43-NI	H00850330905	2-1.31-NI
FV861734	2-1.37-11	FV924100	2-2.47-NI	H00850330905	2-2.35-NI
FV861734	2-2.41-11	FV924138	2-1.5-NI	H43380000200	2-1.31-NI
FV861735	2-1.37-12	FV924139	2-1.5-53	H43380000200	2-2.35-NI
FV861735	2-2.41-12	FV924192	2-1.23-NI	H46120000901	2-1.31-NI
FV861736	2-1.37-7	FV924192	2-2.23-NI	H46120000901	2-2.35-NI
FV861736	2-2.41-7	FV924244	2-2.7-NI	H46137000900	2-1.31-NI
FV861737	2-2.41-9	FV924244	2-1.7-NI	H46137000900	2-2.35-NI
FV861738	2-1.37-8	FV924261	2-2.27/28-NI	H46375008200	2-1.31-NI
FV861738	2-2.41-8	FV924262	2-2.27/28-NI	H46375008200	2-2.35-NI

## INDEX OF PART NUMBERS/DRAWING NUMBERS

Makers Part/ Drawing No.	Page No.	Makers Part/ Drawing No.	Page No.	Makers Part/ Drawing No.	Page No.
H46550058200	2-1.31-NI	26-14710-00193	2-2.13-8	64029960	2-2.17-1
H46550058200	2-2.35-NI	26-14710-00194	2-1.13-6	64029960 FL	2-1.17-1
H46705008900	2-1.31-NI	303610	2-1.29-32	64029962 FL	2-2.17-NI
H46705008900	2-2.35-NI	303610	2-2.33-32	64029962 FL	2-1.17
H46811008900	2-1.31-NI	32324	2-1.17-NI	64224392	2-2.19-21
H46811008900	2-2.35-NI	32324	2-2.17-NI	64224392	2-1.19-21
H47850330900	2-1.31-NI	337	2-1.47-4	64224703	2-2.19-17
H47850330900	2-2.35-NI	337	2-2.51-4	64224703	2-1.19-17
J385	2-2.7-NI	3443-233	2-2.17-NI	64224706	2-2.19-18
J39	2-2.7-NI	3443-233	2-1.17-NI	64224706	2-1.19-18
KIT141	2-2.7-NI	36-14710-00194	2-2.13-6	64225129	2-1.19-16
KIT142	2-2.7-NI	3761-422	2-2.17-NI	64225129	2-2.19-16
KIT153	2-2.7-NI	3761-422	2-1.17-NI	64273878	2-1.17-NI
KIT164	2-2.7-NI	41030427	2-1.47-NI	64273878	2-2.17-NI
KIT3623	2-2.7-NI	41030427	2-2.51-NI	64273879	2-1.17-NI
LAB781	2-1.39-8	445721	2-1.45-17	64273879	2-2.17-NI
LAB81	2-2.43-8	445721	2-2.49-17	64373250	2-2.19-30
L83178/AMB	2-2.19-NI	5T/120	2-2.19-15	64373250	2-1.19-30
L83178/AMB	2-1.19-NI	5T/120	2-1.19-15	64937596 PH	2-1.19-NI
MS75020-1	2-1.41/42-NI	54525875	2-1.45-2	64937596 PH	2-2.19-NI
MS75020-1	2-2.45/46-NI	54525875	2-2.49-2	744036	2-1.45-NI
M60140001241	2-1.31-NI	54931028	2-2.53-12	744036	2-2.49-NI
M60140001241	2-2.35-NI	552103	2-1.45-9	806417	2-1.45-NI
M60140002041	2-1.31-NI	552103	2-2.49-9	806417	2-2.49-NI
M60140002041	2-2.35-NI	573042	2-1.45-7	860774	2-1.49-11
P01282001400	2-2.7-NI	573042	2-2.49-7	860774	2-2.53-11
P03501631200	2-2.7-61	5730461	2-1.45-4	9001-6024-00516	2-1.27-9
P03501631200	2-1.7-61	5730461	2-2.49-4	9001-6024-00516	2-2.31-9
P302	2-2.7-NI	573049	2-1.45-16	9001-8024-00316	2-1.27-13
P3859	2-2.9-12	573049	2-2.49-16	9003-8139-02250	2-1.27-6
P3859	2-1.9-12	573052	2-1.45-14	9003-8139-02250	2-2.31-6
SP1334	2-2.19-NI	573052	2-2.49-14	91091-0003-00630	2-1.27-15
SP1334	2-1.19-NI	573053	2-1.45-3	91091-0003-00630	2-2.31-15
SP1335	2-2.19-NI	573053	2-2.49-2	9121-0064-00400	2-1.27-10
SP1335	2-1.19-NI	573066	2-1.45-10	9121-0064-00400	2-2.31-10
SS875645	2-2.17-NI	573066	2-2.49-10	9121-0101-00400	2-1.27-7
SS875645	2-1.17-NI	573074	2-1.45-11	9121-0101-00400	2-2.31-7
WM018026	2-1.29-36	573074	2-2.49-11	9201-0000-00002	2-1.31-42
WM18026	2-2.33-36	573075	2-1.45-15	9210-0000-00002	2-2.35-42
1400-30M	2-1.29-24	573075	2-2.49-15	9232-0800-00004	2-1.29-21
1400-30M	2-2.33-24	573085	2-1.45-8	9234-0125-00001	2-1.27-3
188818	2-1.47-NI	573085	2-2.49-8	9234-0125-00001	2-2.31-3
188818	2-1.47-6	573190	2-1.45-13	952236	2-1.45-18
188818	2-1.47-2	573190	2-2.49-13	952236	2-2.49-18
188818	2-2.51-NI	574189	2-1.45-12	9900-0501-09001	2-1.27-14
188818	2-2.51-6	574189	2-2.49-12	9900-0501-09001	2-2.31-14
188818	2-2.51-2	576203	2-1.47-8	9901-8024-00316	2-2.31-13
25254	2-2.19-NI	576203	2-2.51-8	9904-0635-01002	2-1.27-2
25254	2-1.19-NI	576207	2-1.47-9	9904-0635-01002	2-2.31-2
26-14710-00193	2-1.13-8	576207	2-2.51-9	9904-0635-01004	2-1.27-17
26-14710-00193	2-2.13-8	59431028	2-1.49-12	9904-0635-01004	2-2.31-17

INDEX OF PART NUMBERS/DRAWING NUMBERS

Makers Part/ Drawing No.	Page No.	Makers Part/ Drawing No.	Page No.	Makers Part/ Drawing No.	Page No.
9904-0635-02001	2-1.27-16				
9904-0635-02001	2-2.31-16				
9904-0635-02002	2-1.27-5				
9904-0635-02002	2-2.31-5				
9904-0635-03002	2-1.31-41				
9904-0635-03002	2-2.35-41				
9904-0635-03004	2-1.31-39				
9904-0635-03004	2-2.35-39				
9904-0635-04001	2-1.29-29				
9904-0635-04001	2-2.33-29				
9904-0635-04002	2-1.31-38				
9904-0635-04002	2-2.35-38				
9904-0635-05002	2-1.27-11				
9904-0635-05002	2-2.31-11				
9904-0635-06001	2-1.27-12				
9904-0635-06001	2-2.31-12				
9904-0635-07001	2-1.29-25				
9904-0635-07001	2-2.33-25				
9904-0635-07002	2-1.29-26				
9904-0635-07002	2-2.33-26				
9904-0635-07003	2-1.29-33				
9904-0635-07003	2-2.33-33				
9904-0635-08001	2-1.27-4				
9904-0635-08001	2-2.31-4				
9904-0635-10001	2-1.29-37				
9904-0635-10001	2-2.33-37				
9904-0635-11001	2-1.29-35				
9904-0635-11001	2-2.33-35				
9904-0635-13002	2-1.27-1				
9904-0635-13002	2-2.31-1				
9904-0635-16001	2-1.27-8				
9904-0635-16001	2-2.31-8				
9904-0635-22001	2-1.29-20				
9904-0635-22001	2-2.33-20				